

# Barton's Multi-angle Framing Guide

Glen Barton, Author  
Genet Barton, Editorial

© 1986, Shem River Publishing

Published by Shem River Publishing, P.O. Box M, Calhoun City, MS 38916  
Manufactured in the United States of America.

A special thank you to the State of Mississippi and Mississippi  
Research & Development Center for formulating and computerizing the charts used in this  
guide. We also wish to thank Tom Barton, James Barton, Frank Bowen and  
Pat Woody for their commitment to the publishing of this guide.

## Table Of Contents

Introduction and Guide Information .....	1	Shell Frame .....	56
8-Sided Gem .....	7	Football .....	57
Slanted 4-Sided .....	8	Flame 14 .....	58
Single Slant, 4-Sided .....	9	5-Sided Frame .....	59
Cut Corner, 8-Sided .....	10	8-Sided Frame .....	60
Cut Corner, 6-Sided .....	11	10-Sided Frame .....	61
Open Book .....	12	12-Sided Frame .....	62
Star of David .....	13	14-Sided Frame .....	63
True Star .....	14	16-Sided Frame .....	64
Starburst .....	15	18-Sided Frame .....	65
Standard Diamond .....	16	20-Sided Frame .....	66
Elongated Diamond .....	17	22-Sided Frame .....	67
Diamond Ring .....	18	24-Sided Frame .....	68
Cut Diamond .....	19	26-Sided Frame .....	69
Standard Triangle .....	20	Cathedral Style - 7 Sided .....	70
Wide Triangle .....	21	Cathedral Style - 8 Sided .....	71
Flat Top Triangle .....	22	Cathedral Style - 9 Sided .....	72
Tear Drop - Wide, 7 Sided .....	23	Cathedral Style - 10 Sided .....	73
Tear Drop - 4 Sided .....	24	Cathedral Style - 11 Sided .....	74
Tear Drop - 7 Sided .....	25	Cathedral Style - 12 Sided .....	75
Tear Drop - 8 Sided .....	26	Cathedral Style - 13 Sided .....	76
Tear Drop - 10 Sided .....	27	Cathedral Style - 14 Sided .....	77
House Top 1 .....	28	Cathedral Style - 15 Sided .....	78
House Top 2 .....	29	Heart .....	79
6-Sided Circular Frame .....	30	Coat of Arms .....	80
7-Sided Circular Frame .....	31	Coat of Arms 2 .....	81
8-Sided Circular Frame .....	32	Coat of Arms 3 .....	82
9-Sided Circular Frame .....	33	Coat of Arms 4 .....	83
10-Sided Circular Frame .....	34	Coat of Arms 5 .....	84
11-Sided Circular Frame .....	35	Marquis Coat of Arms .....	85
12-Sided Circular Frame .....	36	Coat of Arms 6 .....	86
13-Sided Circular Frame .....	37	Arrow Head 1 .....	87
14-Sided Circular Frame .....	38	Arrow Head 2 .....	88
15-Sided Circular Frame .....	39	Horse Shoe 1 .....	89
16-Sided Circular Frame .....	40	Horse Shoe 2 .....	90
17-Sided Circular Frame .....	41	Fan Shape .....	91
18-Sided Circular Frame .....	42	81° Fan Frame .....	92
19-Sided Circular Frame .....	43	Fan Shape 2 .....	93
20-Sided Circular Frame .....	44	Partial Fan Cage .....	94
22-Sided Circular Frame .....	45	Reverse Bottom Fan .....	95
24-Sided Circular Frame .....	46	Pointed Oval .....	96
26-Sided Circular Frame .....	47	Oval Frame .....	97
Folded Flag .....	48	Slim Oval .....	98
Rack .....	49	Expanded Oval .....	99
Christmas Tree 1 .....	50	Expanded Oval 2 .....	100
Christmas Tree 2 .....	51	Flat Top - 6 Sided .....	101
Flying Saucer .....	52	6-Sided Frame .....	102
6 Sided Crest .....	53	Unusual 6-Sided .....	103
9 Sided Crest .....	54	Unusual 8-Sided .....	104
10 Sided Crest .....	55		

# Barton's Multi-Angle Framing Guide

## Introduction

This book of dimensional shapes will take you into a world of picture framing never before enjoyed or ever visualized by the custom picture framer. You can now expand your creative horizons by "thinking shape." And not just square, rectangle, circle or oval frames!

The custom picture framer now has all of the shapes in this book as his or her personal resource. The framer can offer these unusual frames for needlework, photographs, mementoes, decorative reproductions, objects, collections and much more.

We know that these shapes will be a big help to you. But, we realize "help" doesn't begin to say it all. These shapes will hopefully become necessities, breakthroughs, and exciting possibilities.

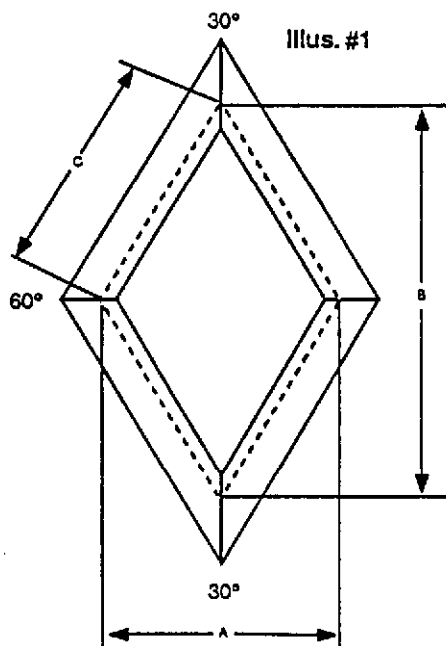
## Creative Multi-Angle Framing

Creative and imaginative custom picture framing can be accomplished by the framer and enjoyed by the customer for years to come. In most cases it is a completely new concept in picture framing, and some framers are reluctant to try this type framing because it looks so involved. For example, a framer told me that he had avoided multi-angle framing because it was a "mystery." But, he was eager to master this type of dimensional, multi-angle framing.

Webster's dictionary defines the word "mystery" as being a puzzling or inexplicable matter and therefore arousing curiosity or suspense. Cheer up! I believe that in a short time span I can convince you that this type framing is no harder to do than the simple 90° corner. The only difference is that in most cases it will take longer because there are more corners to work with.

This book details more than 90 shapes. All you need to do is find the shape you want. We assume that you have the proper equipment. The rest is simple if you completely read the following basic information and adhere to the charts.

All of the different shapes shown in this guide can be cut and assembled on equipment manufactured by Barton Manufacturing Company. Our firm specializes in multi-angle framing equipment. For more information on Barton Manufacturing Company, call 601-628-5461 or write P.O. Box 556, Calhoun City, MS 38916.



## Dimensional Shape Frames

After selecting a dimensional shape frame, the charts will tell you exactly what to do. Each chart gives correct angle settings, overall picture area and length of cuts. In some cases the charts will tell you that the length of cut will be your choice, turning an equal angle, equal sided frame into a long sided, equal angle frame. After locating the information needed in the charts, simply set the angle or angles on your saw, and place the measuring stop on the length of cut needed.

In many instances the multi-angle frame will consist of several angles. The angle cut in many cases will be different on each end of the length of cut. For example, refer to Illus. #1. You can see at a glance that the length of cut C has a 60° angle on one end and a 30° angle on the other. And, a total of four pieces are needed.

If a Barton Multi-Angle Saw or Multi-Angle Attachment for your radial arm saw, table saw or chop saw is being used

then follow this procedure: The right hand side of the saw should be set on 60°, and the left hand side should be set on 30°. The measuring stop should be set on the length of cut. (NOTE: The length of cut is measured along the rabbet.) Two pieces will then be cut. After completing these two cuts, the angle settings will be reversed.

The right hand side angle setting should be set on 30° and the left hand side on 60°. (The measuring stop will stay in the same place as on the prior cuts.) Two more pieces will be cut on this setting. You should now have a total of four cut pieces.

## What To Watch For When Cutting & Assembling Mult-Angle Frames

Wood is unstable. Thus it is advisable to keep a close watch on the angles as they are being cut. This can be done by using a simple machinist protractor on two or three corners after they have been sawed to see if the angle is staying accurate.

Remember . . . accuracy is the KEY. If the angle of cut is off on some of the members, this will cause a problem when the last member is slipped in place and joined together.

Take the 10-sided frame for an example. I suggest that you not tie in the last two or three members until you know that they will fit in perfectly. An error can easily be detected by placing the 10-sided frame with only 7 or 8 members joined together on a flat surface.

Slip the other 2 or 3 single pieces in to see how they are going to fit. If they do not fit like they should, then correction is necessary.

If a small gap is showing up on the front (rabbet) side of the moulding member or members then the saw needs to be reset slightly on the front side of the original angle setting (toward 90°). If a small gap is showing up on the back side of moulding then the saw angle will need resetting slightly on the back side of the original setting (toward 30°).

If more correction is needed then repeat the above procedure.

## Tolerance Factor

In some cases because of the difficulty in accurately working with shapes consisting of several different angles, a plus or minus factor will have to be taken into account. You should be aware that as much as +/- 1/2" will exist in width from the narrowest to the widest dimensions. In addition, variations in length are also possible.

In working with frames consisting of several angles it might be worthwhile to cut all the members and loosely fit them together so that dimensions can be checked. If the frame is too far off at this point, correction can be made by lengthening or shortening the frame members.

## Making Frames That Involve A Length of Your Choice

Here is an easy example of a frame that involves a length of your choice.

EXAMPLE: We will use the Cathedral Style - 7 Sided frame. The width of the frame is represented as Column A. The length of your choice for this frame is Column B. Assume that you are making a frame with the following dimensions:

A = width	B = your choice
14.000"	20.000"

We can proceed knowing these two dimensions. Look at Column A and locate 14.000". The length of Column B is your choice, and we have arbitrarily chosen to make it 20.000".

Column D is blank except for the equation  $D = B - E$ . To derive the answer for Column D you simply fill in the equation using the corresponding figures from Column B and E.

$D = B - E$
$D = 20.000 - 5.093 = 14.907$
Therefore, $D = 14.907$

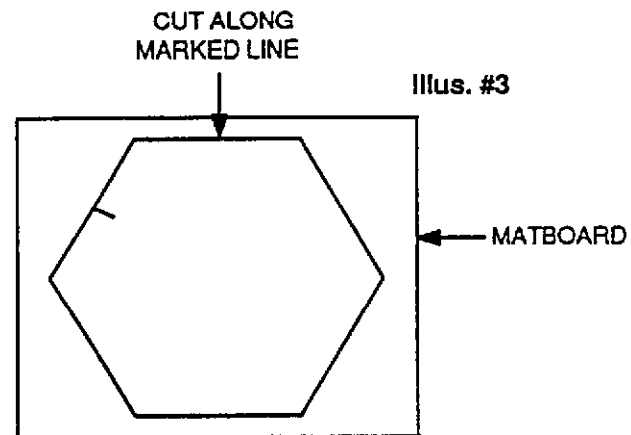
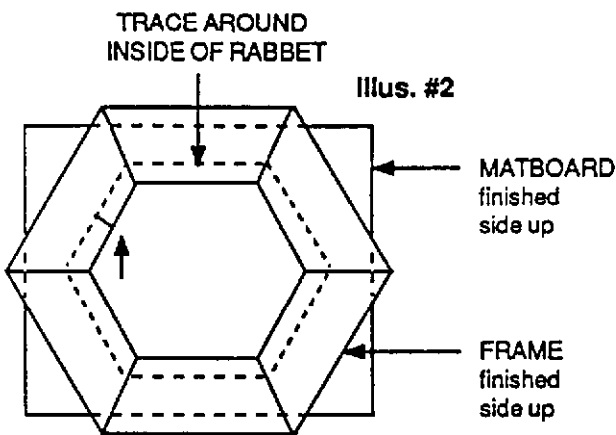
Now that we have chosen 20.000" for Column B and determined that Column D equals 14.907", our figures in the five columns would be:

A	B	C	D	E
14.000	20.000	4.493	14.907	5.093

## Cutting Mats For Multi-Angle Frames

This is the simplest and most effective way I have found to cut mats for multi-angle frames.

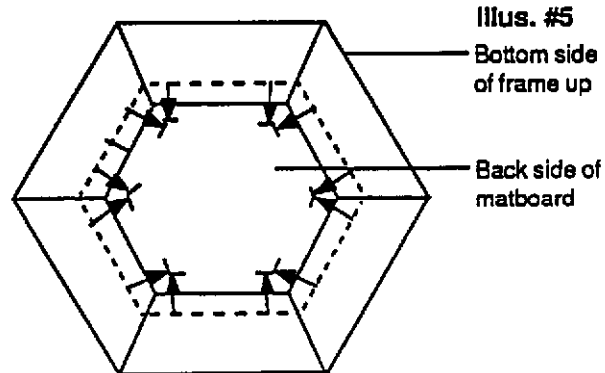
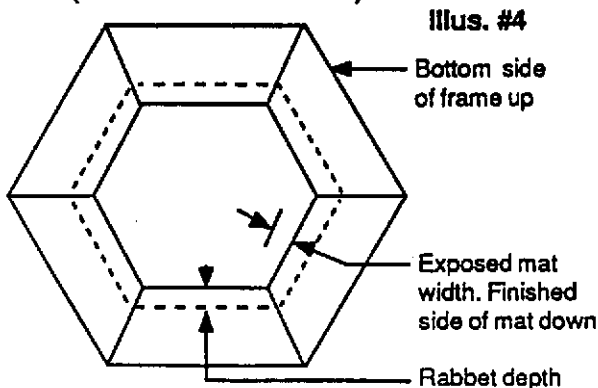
1. Assemble frame completely.
2. Cut a piece of matboard slightly larger than the frame.
3. Place matboard finished side up on a clean level surface.
4. Place bottom of frame on finished side of matboard.
5. Using a pencil with a good point, press down on frame and mark around the inside of rabbet making sure this is accurately done.
6. Before removing frame from matboard, take the pencil and make a short, straight mark on the lower part of the frame and extending onto the matboard. (Refer to Illustration 2.) This mark will later be used to line the mat and frame in same position as it was originally marked and cut, assuring the mat and frame will be perfectly balanced.
7. Remove matboard from the frame.
8. Cut along marked lines. Be as accurate as possible. (Refer to Illustration 3.)

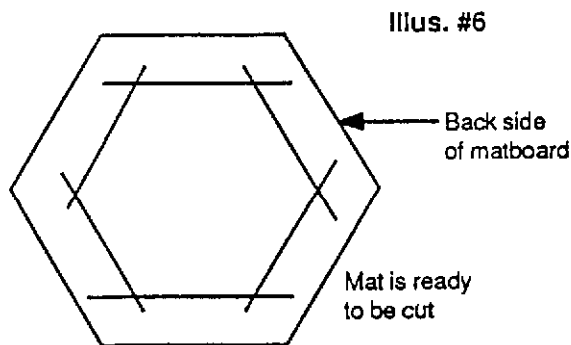


9. Place mat in frame, finished side toward finished side of frame. Make sure line up mark on frame corresponds to mark on mat. Mark should appear on both sides of mat. Tape mat to frame on back side.

10. Take a rule and measure rabbet depth. Rabbet depth will be added to the amount of exposed mat desired. (Refer to Illustration 4.)

11. With mat still inside of the frame, make measurement marks all the way around the mat. (Refer to Illustration 5.)





12. When measurements are made, the mat can be taken out of the frame so lines can be joined and extended as in Illustration 6.

13. The mat is now ready to be cut. Using a straight line mat cutter, the procedure is the same as cutting a square corner mat.

### Multi-Color Mats

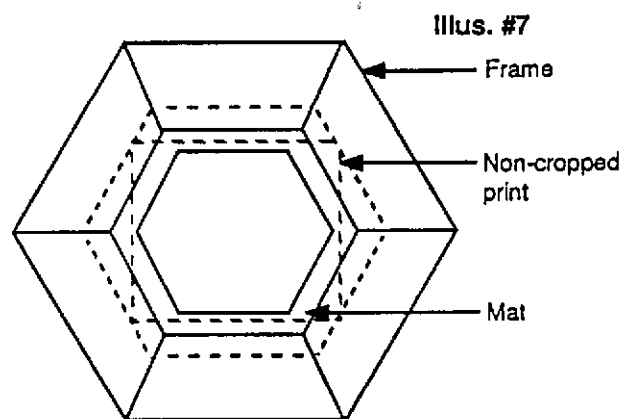
If more than one color mat is desired, the same procedure will be followed as outlined for one mat. (Refer to Illustrations 2 thru 6.)

Consult a booklet featuring advanced matting techniques for information on inlaid and special effects matting.

### Cutting Glass Or Plastic For A Multi-Angle Opening

Place glass over bottom of frame. Hold glass firmly and mark (refer to Illus. #5 for marking). Glass can be hand cut or cut with a straight line glass cutter.

### Limited Edition Prints



Limited edition prints can also be framed in multi-angle frames. This can be done without cropping your print. A larger size mat has to be used, and the mat will take the place of cropping the print. (Refer to Illustration 7.)

### Pricing Multi-Angle Frames

The actual size of a frame for pricing can be taken from the charts. The method I recommend is simple, easy to figure and accurate. For instance, assume a customer wants a 10-sided frame where the members of the frame will be cut on the same 72° angle.

First of all, you need to know the size of the frame. For example, assume the customer chooses a 2" moulding with a price of \$6.00 a foot. The frame the customer needs will be a 12" x 12".

Next, figure a price for a square 12" x 12" frame. The regular price for this square frame would be \$32.00. This will be our basic figure to start with since all framing members will be cut on one angle, and the price per corner will not change.

Assume a price of \$2.00 for each corner. Remember, the frame has 10 sides or \$20.00 in addition to the \$32.00 for a basic square frame. The sub-total for the complete frame will be \$52.00. All other charges will be added to this for the final total.

The figures given are only used as a guide. The actual pricing is of course left up to you.

Now . . . let us price the same size frame consisting of more than one angle. For example, using the flat top 6-sided frame. The angle settings will be 56° and 68°. All framing members (corners) are not cut on the same angle. On each end of the top and bottom members the angle cut will be 56°. The price for these four corners will be \$2.00 per corner, the same as in an equal angle 10-sided frame.

The side corners are cut on a different angle of 68°. Since this angle is different it will require more time. The price for these corners will be \$2.00 plus \$2.00 extra (for the purpose of this example) for each different angle.

The price for the 6 corners on the unusual 6-sided frame will be \$14.00 using the 12" x 12" square frame for our basic price. (Refer to Example A.)

#### EXAMPLE A

\$ 32.00 . . . 12" x 12" square frame
12.00 . . . four equal angles 56°
2.00 . . . charge for second angle (68°)

---

\$ 46.00 . . . Total for frame
--------------------------------

One other type of multi-angle frame that must be mentioned is a frame with a reverse angle cut such as is found on the True Star. The pricing can be done the same as in the other frames except that an additional charge of say a \$1.00 for each reverse angle will need to be made. Of course this charge is in addition to the other charges.

Remember . . . these prices are only illustrations for you to follow.

Any frame other than a 90° corner frame will be considered a multi-angle frame and can be priced the same way even if it consists of only 3 sides.

### Changing The Shape & Size Of Some Frames:

In some instances, a frame shape and size can be changed or altered simply by making two side members or top and bottom members longer.

Frames that can be done this way are the ones that have flat side members and also where opposite members are the same length. If top, bottom and side members are both flat, then this means that you can either shorten or lengthen the four members. This would do two things:

1. It would change the shape appearance of the frame.
2. You could increase the length or width or both as you wish.

If you wanted to make a frame 4" wider or longer, then you would simply add four extra inches to those members. There are many frame patterns listed in this guide that can be done this way.

All charts in this guide are in inches and decimals. A conversion chart is furnished that gives fractional equivalents to decimals.

### Conversion Chart (Decimals To Fractions)

1/8 = .125  
1/4 = .250  
3/8 = .375  
5/8 = .625  
7/8 = .875

1/16 = .062  
3/16 = .187  
5/16 = .312  
7/16 = .437  
9/16 = .562  
11/16 = .687  
13/16 = .812  
15/32 = .937

1/32 = .031  
3/32 = .093  
5/32 = .156  
7/32 = .218  
9/32 = .281  
11/32 = .343  
13/32 = .406  
15/32 = .468  
17/32 = .531  
19/32 = .593  
21/32 = .656  
23/32 = .718  
25/32 = .781  
27/32 = .843  
29/32 = .906  
31/32 = .968

After locating the desired multi-angle frame and finding the figures in the chart for making that frame, always use the decimal number closest to the fraction in this conversion chart.

### Converting To Direct Degree Readings On Chop Saws

On Chop Saws such as Makita, De Walt, Rockwell and others the degree scale is not calibrated in direct degree readings. For example, when cutting members to make an 8-sided frame with an angle setting of 67.5°. The reading on the scale will actually read 22.5°. To convert 22.5° to a direct reading of 67.5°, subtract 22.5° from 90°. This will give you a direct reading of 67.5°. Remember, always subtract from 90°.

This is a conversion chart to use to obtain direct degree readings.

0 = 90°  
5 = 85°  
10 = 80°

15 = 75°  
22.5 = 67.5°  
30 = 60°

35 = 55°  
40 = 50°  
45 = 45°

### How To Use The Constant

The charts found in this guide start with the smallest size frame and increase one inch (in some cases 2") in size until it reaches the largest size frame. Located at the bottom of each column is a number called a CONSTANT. When the constant is added to a number in a column it then becomes the next number.

If a frame size is needed that falls half way between two sizes, then the constant will need to be cut in half. The new figure will then be added. If other sizes such as 1/4" (.250") or 1/8" (.125") are needed, the same procedure can be followed.

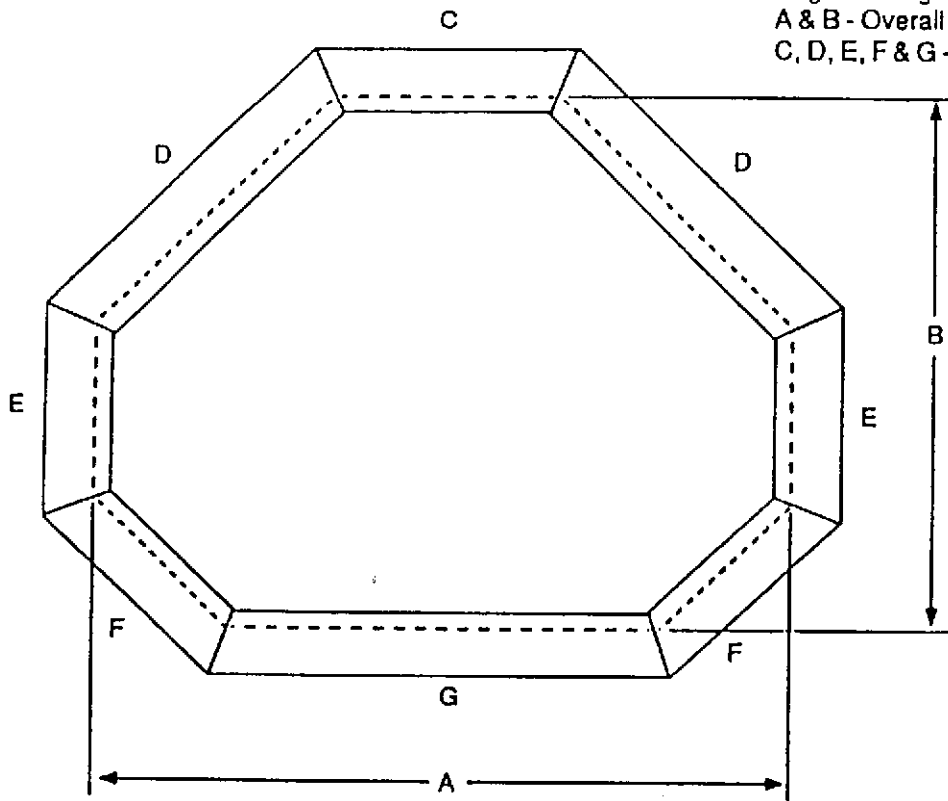


## 8-Sided Gem

Angle Setting: 67.5°

A & B - Overall picture area including rabbet

C, D, E, F & G - Length of cut



A	B	C	D	E	F	G
5.000	4.000	1.531	2.500	1.250	1.375	3.062
7.000	6.000	2.351	3.320	2.070	2.195	3.882
9.000	8.000	3.171	4.140	2.890	3.015	4.702
11.000	10.000	3.991	4.960	3.710	3.835	5.522
13.000	12.000	4.811	5.780	4.530	4.655	6.342
15.000	14.000	5.631	6.600	5.350	5.475	7.162
17.000	16.000	6.451	7.420	6.170	6.295	7.982
19.000	18.000	7.271	8.240	6.990	7.115	8.802
21.000	20.000	8.091	9.060	7.810	7.935	9.622
23.000	22.000	8.911	9.880	8.630	8.755	10.442
25.000	24.000	9.731	10.700	9.450	9.575	11.262
27.000	26.000	10.551	11.520	10.270	10.395	12.082
29.000	28.000	11.371	12.340	11.090	11.215	12.902
31.000	30.000	12.191	13.160	11.910	12.035	13.722
33.000	32.000	13.011	13.980	12.730	12.855	14.542
35.000	34.000	13.831	14.800	13.550	13.675	15.362
37.000	36.000	14.651	15.620	14.370	14.495	16.182
39.000	38.000	15.471	16.440	15.190	15.315	17.002
41.000	40.000	16.291	17.260	16.010	16.135	17.822
43.000	42.000	17.111	18.080	16.830	16.955	18.642
45.000	44.000	17.931	18.900	17.650	17.775	19.462
47.000	46.000	18.751	19.720	18.470	18.595	20.282
49.000	48.000	19.571	20.540	19.290	19.415	21.102

CONSTANT:

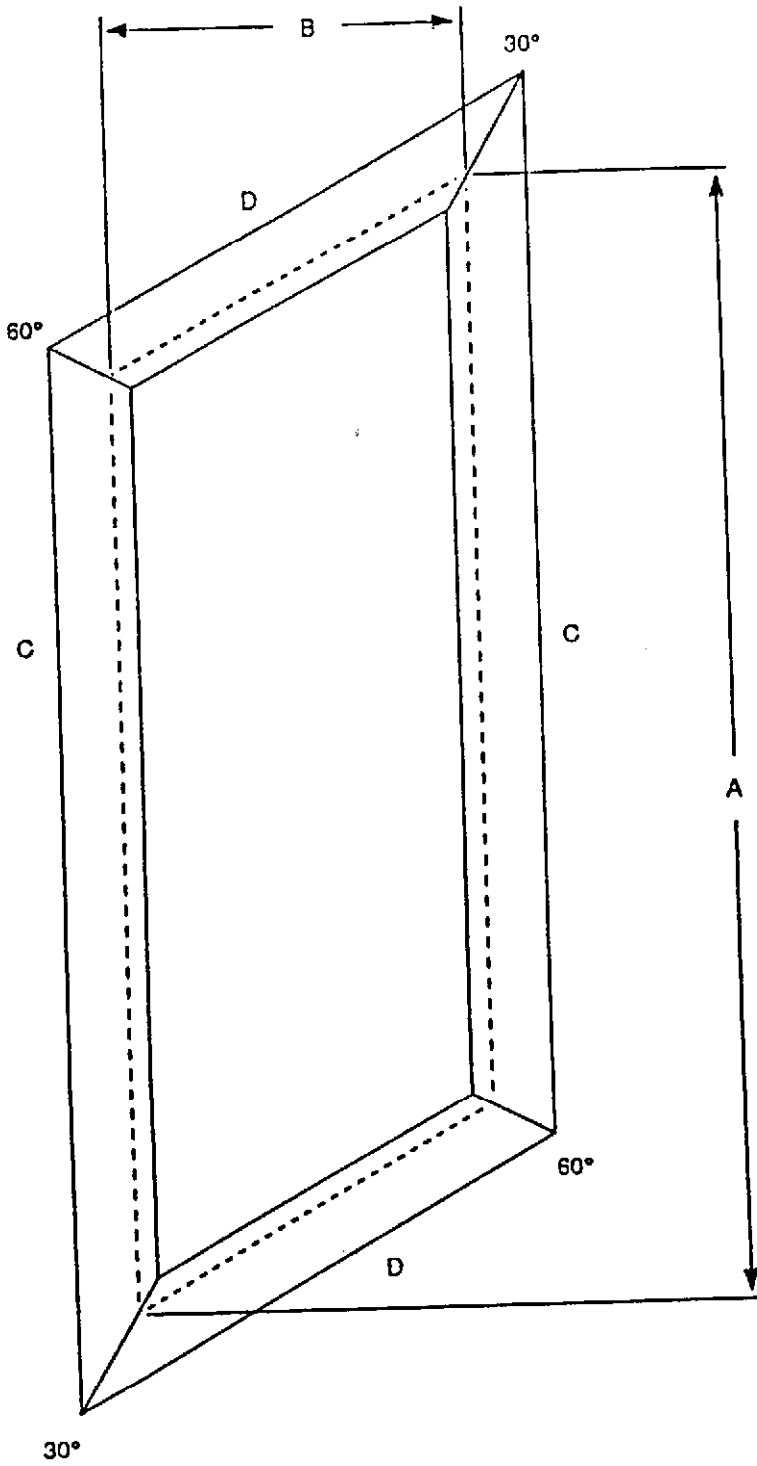
2.000	2.000	0.820	0.820	0.820	0.820	0.820
-------	-------	-------	-------	-------	-------	-------

# Slanted 4-Sided

Angle Settings: 30.0° & 60.0°

A & B - Overall picture area including rabbet

C & D - Length of cut



A	B	C	D
10.625	3.000	8.165	3.464
14.000	4.000	10.888	4.619
17.375	5.000	13.611	5.774
20.750	6.000	16.334	6.929
24.125	7.000	19.057	8.084
27.500	8.000	21.780	9.239
30.875	9.000	24.503	10.394
34.250	10.000	27.226	11.549
37.625	11.000	29.949	12.704
41.000	12.000	32.672	13.859
44.375	13.000	35.395	15.014
47.750	14.000	38.118	16.169
51.125	15.000	40.841	17.324

CONSTANT:

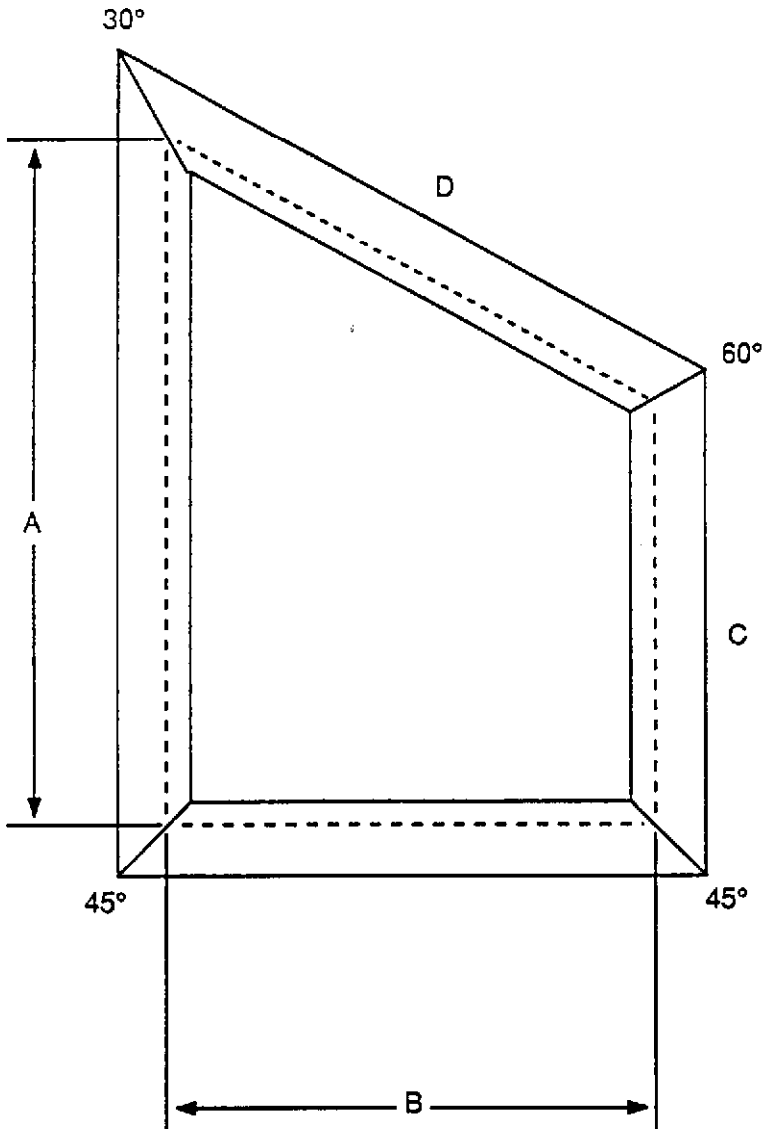
3.375	1.000	2.723	1.155
-------	-------	-------	-------

# Single Slant Right, 4-Sided

Angle Settings: 30.0°, 45.0° & 60.0°

A & B - Overall picture area including rabbet

A, B, C & D - Length of cut



	A	B	C	D
	4.463	2.811	2.897	3.341
	5.839	3.505	3.863	4.129
	7.215	4.199	4.829	4.917
	8.591	4.893	5.795	5.705
	9.967	5.587	6.761	6.493
	11.343	6.281	7.727	7.281
	12.719	6.975	8.693	8.069
	14.095	7.669	9.659	8.857
	15.471	8.363	10.625	9.645
	16.847	9.057	11.591	10.433
	18.223	9.751	12.557	11.221
	19.599	10.445	13.523	12.009
	20.975	11.139	14.489	12.797
	22.351	11.833	15.455	13.585
	23.727	12.527	16.421	14.373
	25.103	13.221	17.387	15.161
	26.479	13.915	18.353	15.949
	27.855	14.609	19.319	16.737
	29.231	15.303	20.285	17.525
	30.607	15.997	21.251	18.313
	31.983	16.691	22.217	19.101
	33.359	17.385	23.183	19.889
	34.735	18.079	24.149	20.677
	36.111	18.773	25.115	21.465
	37.487	19.467	26.081	22.253
	38.863	20.161	27.047	23.041
	40.239	20.855	28.013	23.829
	41.615	21.549	28.979	24.617
	42.991	22.243	29.945	25.405
	44.367	22.937	30.911	26.193
	45.743	23.631	31.877	26.981
	47.119	24.325	32.843	27.769
	48.495	25.019	33.809	28.557
	49.871	25.713	34.775	29.345
	51.247	26.407	35.741	30.133
	52.623	27.101	36.707	30.921
	53.999	27.795	37.673	31.709
	55.375	28.489	38.639	32.497
	56.751	29.183	39.605	33.285
	58.127	29.877	40.571	34.073
	59.503	30.571	41.537	34.861
	60.879	31.265	42.503	35.649
	62.255	31.959	43.469	36.437
	63.631	32.653	44.435	37.225
	65.007	33.347	45.401	38.013

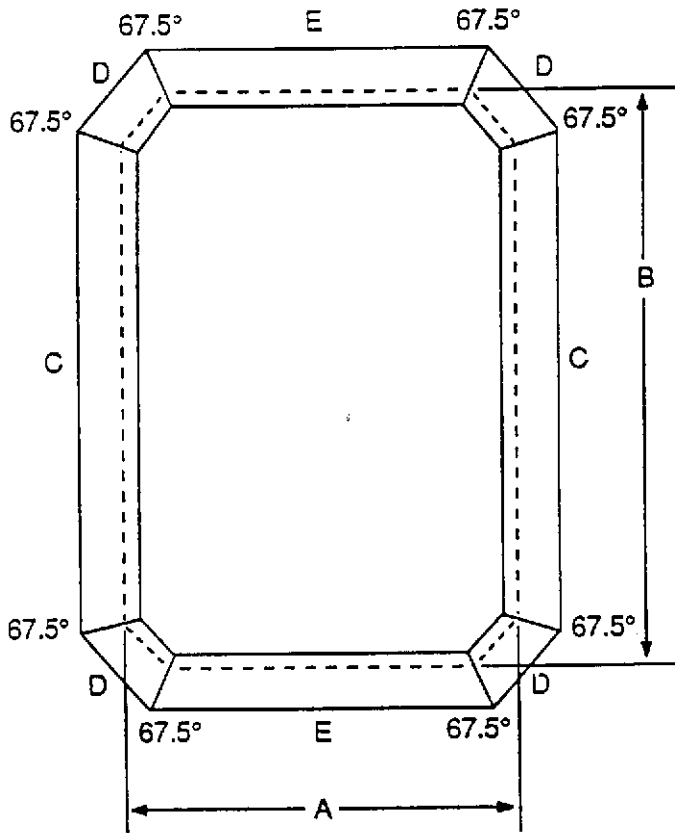
CONSTANT:

1.376	0.694	0.966	0.788
-------	-------	-------	-------

# Cut Corner, 8-Sided

Angle Setting: 67.5°

A & B - Overall picture area including rabbet  
 C, D & E - Length of cut



	A	B	C	D	E
	4.000	6.000	5.125	0.625	3.125
	5.000	7.000	5.531	1.031	3.531
	6.000	8.000	5.937	1.437	3.937
	7.000	9.000	6.343	1.843	4.343
	8.000	10.000	6.749	2.249	4.749
	9.000	11.000	7.155	2.655	5.155
	10.000	12.000	7.561	3.061	5.561
	11.000	13.000	7.967	3.467	5.967
	12.000	14.000	8.373	3.873	6.373
	13.000	15.000	8.779	4.279	6.779
	14.000	16.000	9.185	4.685	7.185
	15.000	17.000	9.591	5.091	7.591
	16.000	18.000	9.997	5.497	7.997
	17.000	19.000	10.403	5.903	8.403
	18.000	20.000	10.809	6.309	8.809
	19.000	21.000	11.215	6.715	9.215
	20.000	22.000	11.621	7.121	9.621
	21.000	23.000	12.027	7.527	10.027
	22.000	24.000	12.433	7.933	10.433
	23.000	25.000	12.839	8.339	10.839
	24.000	26.000	13.245	8.745	11.245
	25.000	27.000	13.651	9.151	11.651
	26.000	28.000	14.057	9.557	12.057
	27.000	29.000	14.463	9.963	12.463
	28.000	30.000	14.869	10.369	12.869
	29.000	31.000	15.275	10.775	13.275
	30.000	32.000	15.681	11.181	13.681
	31.000	33.000	16.087	11.587	14.087
	32.000	34.000	16.493	11.993	14.493
	33.000	35.000	16.899	12.399	14.899
	34.000	36.000	17.305	12.805	15.305
	35.000	37.000	17.711	13.211	15.711
	36.000	38.000	18.117	13.617	16.117
	37.000	39.000	18.523	14.023	16.523
	38.000	40.000	18.929	14.429	16.929
	39.000	41.000	19.335	14.835	17.335
	40.000	42.000	19.741	15.241	17.741
	41.000	43.000	20.147	15.647	18.147
	42.000	44.000	20.553	16.053	18.553
	43.000	45.000	20.959	16.459	18.959
	44.000	46.000	21.365	16.865	19.365
	45.000	47.000	21.771	17.271	19.771
	46.000	48.000	22.177	17.677	20.177
	47.000	49.000	22.583	18.083	20.583
	48.000	50.000	22.989	18.489	20.989
	49.000	51.000	23.395	18.895	21.395

CONSTANT:

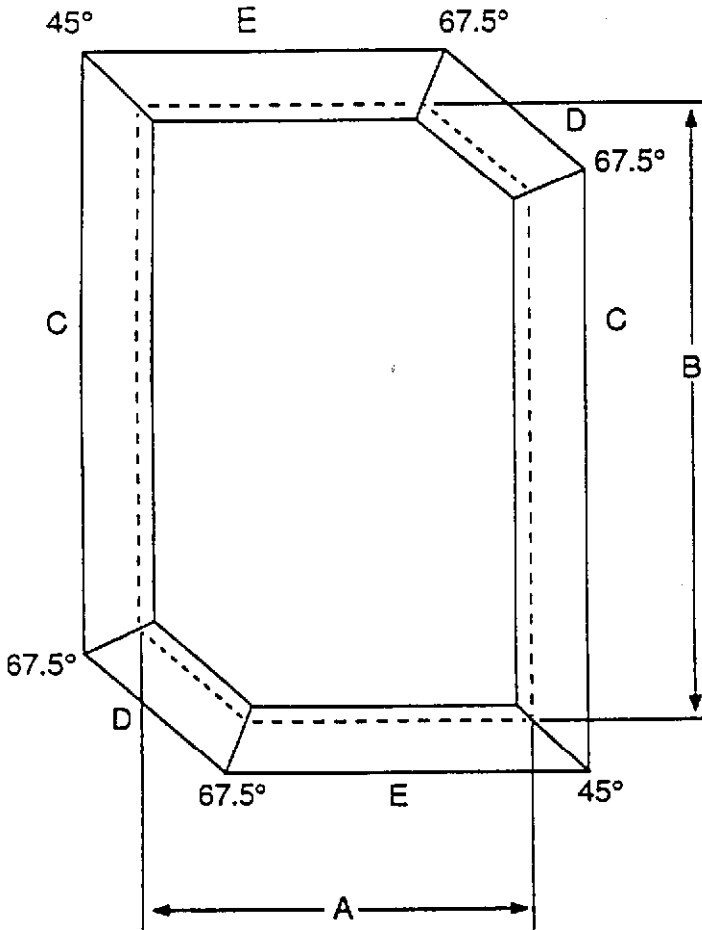
1.000	1.000	0.406	0.406	0.406
-------	-------	-------	-------	-------

## Cut Corner, 6-Sided

Angle Settings: 45.0° & 67.5°

A & B - Overall picture area including rabbet

C, D & E - Length of cut



A	B	C	D	E
3.000	6.000	5.561	0.687	2.561
4.000	7.000	6.249	1.109	3.249
5.000	8.000	6.937	1.531	3.937
6.000	9.000	7.625	1.953	4.625
7.000	10.000	8.313	2.375	5.313
8.000	11.000	9.001	2.797	6.001
9.000	12.000	9.689	3.219	6.689
10.000	13.000	10.377	3.641	7.377
11.000	14.000	11.065	4.063	8.065
12.000	15.000	11.753	4.485	8.753
13.000	16.000	12.441	4.907	9.441
14.000	17.000	13.129	5.329	10.129
15.000	18.000	13.817	5.751	10.817
16.000	19.000	14.505	6.173	11.505
17.000	20.000	15.193	6.595	12.193
18.000	21.000	15.881	7.017	12.881
19.000	22.000	16.569	7.439	13.569
20.000	23.000	17.257	7.861	14.257
21.000	24.000	17.945	8.283	14.945
22.000	25.000	18.633	8.705	15.633
23.000	26.000	19.321	9.127	16.321
24.000	27.000	20.009	9.549	17.009
25.000	28.000	20.697	9.971	17.697
26.000	29.000	21.385	10.393	18.385
27.000	30.000	22.073	10.815	19.073
28.000	31.000	22.761	11.237	19.761
29.000	32.000	23.449	11.659	20.449
30.000	33.000	24.137	12.081	21.137
31.000	34.000	24.825	12.503	21.825
32.000	35.000	25.513	12.925	22.513
33.000	36.000	26.201	13.347	23.201
34.000	37.000	26.889	13.769	23.889
35.000	38.000	27.577	14.191	24.577
36.000	39.000	28.265	14.613	25.265
37.000	40.000	28.953	15.035	25.953
38.000	41.000	29.641	15.457	26.641
39.000	42.000	30.329	15.879	27.329
40.000	43.000	31.017	16.301	28.017
41.000	44.000	31.705	16.723	28.705
42.000	45.000	32.393	17.145	29.393
43.000	46.000	33.081	17.567	30.081
44.000	47.000	33.769	17.989	30.769
45.000	48.000	34.457	18.411	31.457
46.000	49.000	35.145	18.833	32.145
47.000	50.000	35.833	19.255	32.833
48.000	51.000	36.521	19.677	33.521

CONSTANT:

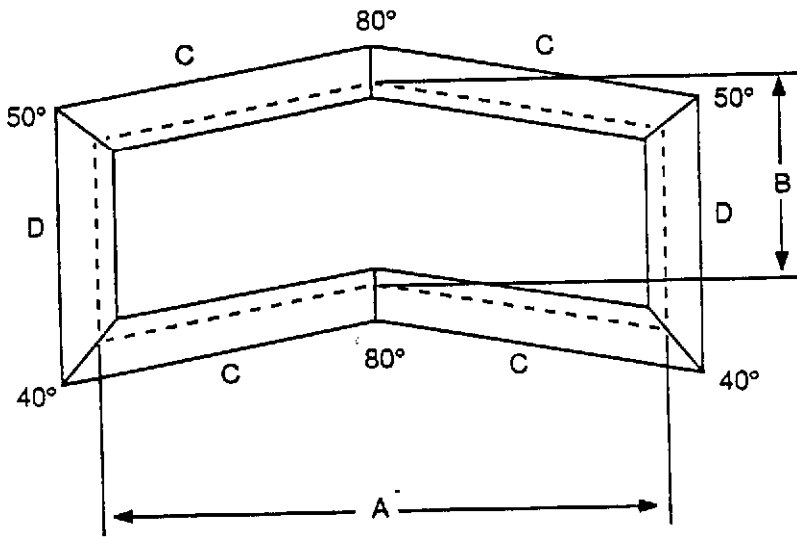
1.000	1.000	0.688	0.422	0.688
-------	-------	-------	-------	-------

# Open Book

Angle Settings: 40.0°, 50.0° & 80.0°

A & B - Overall picture area including rabbet

C & D - Length of cut



	A	B	C	D
	8.000	3.876	4.155	3.876
	9.000	4.916	4.657	4.916
	10.000	5.956	5.159	5.956
	11.000	6.996	5.661	6.996
	12.000	8.036	6.163	8.036
	13.000	9.076	6.665	9.076
	14.000	10.116	7.167	10.116
	15.000	11.156	7.669	11.156
	16.000	12.196	8.171	12.196
	17.000	13.236	8.673	13.236
	18.000	14.276	9.175	14.276
	19.000	15.316	9.677	15.316
	20.000	16.356	10.179	16.356
	21.000	17.396	10.681	17.396
	22.000	18.436	11.183	18.436
	23.000	19.476	11.685	19.476
	24.000	20.516	12.187	20.516
	25.000	21.556	12.689	21.556
	26.000	22.596	13.191	22.596
	27.000	23.636	13.693	23.636
	28.000	24.676	14.195	24.676
	29.000	25.716	14.697	25.716
	30.000	26.756	15.199	26.756
	31.000	27.796	15.701	27.796
	32.000	28.836	16.203	28.836
	33.000	29.876	16.705	29.876
	34.000	30.916	17.207	30.916
	35.000	31.956	17.709	31.956
	36.000	32.996	18.211	32.996
	37.000	34.036	18.713	34.036
	38.000	35.076	19.215	35.076
	39.000	36.116	19.717	36.116
	40.000	37.156	20.219	37.156
	41.000	38.196	20.721	38.196
	42.000	39.236	21.223	39.236
	43.000	40.276	21.725	40.276
	44.000	41.316	22.227	41.316
	45.000	42.356	22.729	42.356
	46.000	43.396	23.231	43.396
	47.000	44.436	23.733	44.436
	48.000	45.476	24.235	45.476

CONSTANT:

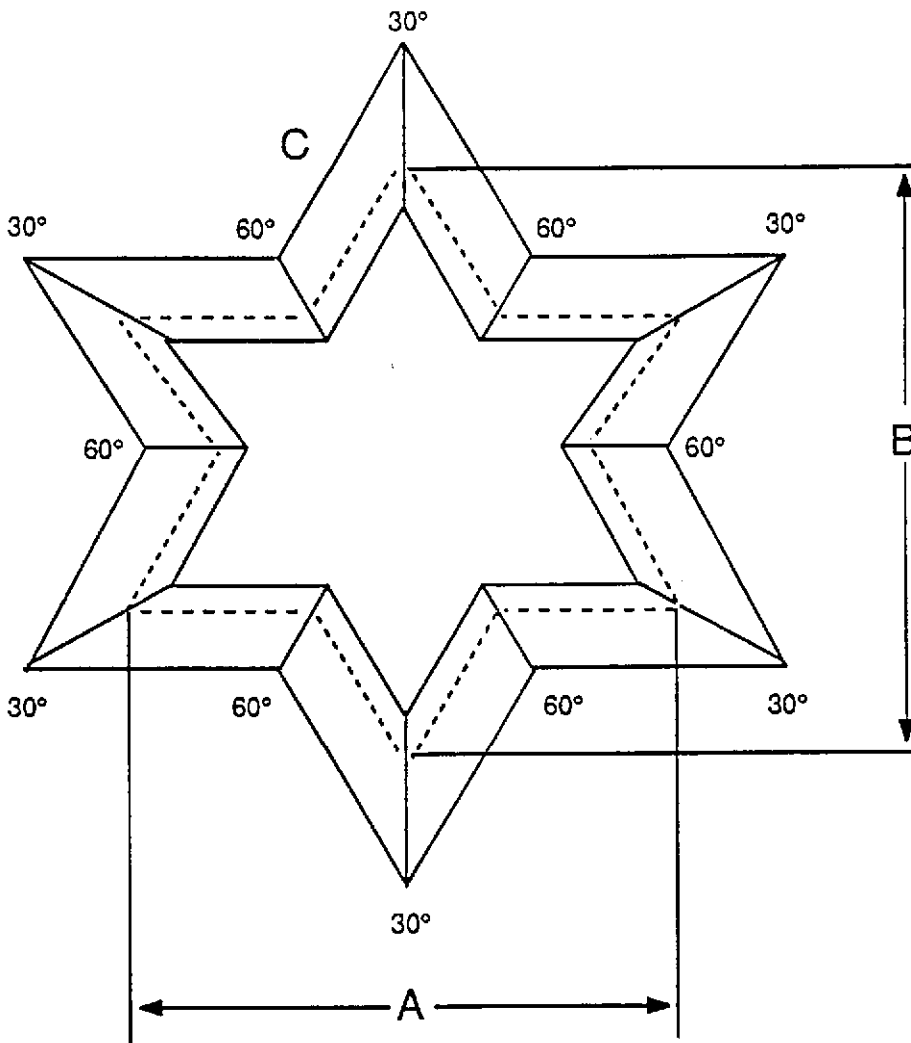
1.000	1.040	0.502	1.040
-------	-------	-------	-------

# Star of David

Angle Settings: 30° & 60°

A & B - Overall picture area including rabbet

C - Length of cut



	A	B	C
	3.000	3.451	1.000
	4.000	4.601	1.333
	5.000	5.751	1.666
	6.000	6.901	1.999
	7.000	8.051	2.332
	8.000	9.201	2.665
	9.000	10.351	2.998
	10.000	11.501	3.331
	11.000	12.651	3.664
	12.000	13.801	3.997
	13.000	14.951	4.330
	14.000	16.101	4.663
	15.000	17.251	4.996
	16.000	18.401	5.329
	17.000	19.551	5.662
	18.000	20.701	5.995
	19.000	21.851	6.328
	20.000	23.001	6.661
	21.000	24.151	6.994
	22.000	25.301	7.327
	23.000	26.451	7.660
	24.000	27.601	7.993
	25.000	28.751	8.326
	26.000	29.901	8.659
	27.000	31.051	8.992
	28.000	32.201	9.325
	29.000	33.351	9.658
	30.000	34.501	9.991
	31.000	35.651	10.324
	32.000	36.801	10.657
	33.000	37.951	10.990
	34.000	39.101	11.323
	35.000	40.251	11.656
	36.000	41.401	11.989
	37.000	42.551	12.322
	38.000	43.701	12.655
	39.000	44.851	12.988
	40.000	46.001	13.321
	41.000	47.151	13.654
	42.000	48.301	13.987
	43.000	49.451	14.320
	44.000	50.601	14.653
	45.000	51.751	14.986
	46.000	52.901	15.319
	47.000	54.051	15.652
	48.000	55.201	15.985

CONSTANT:

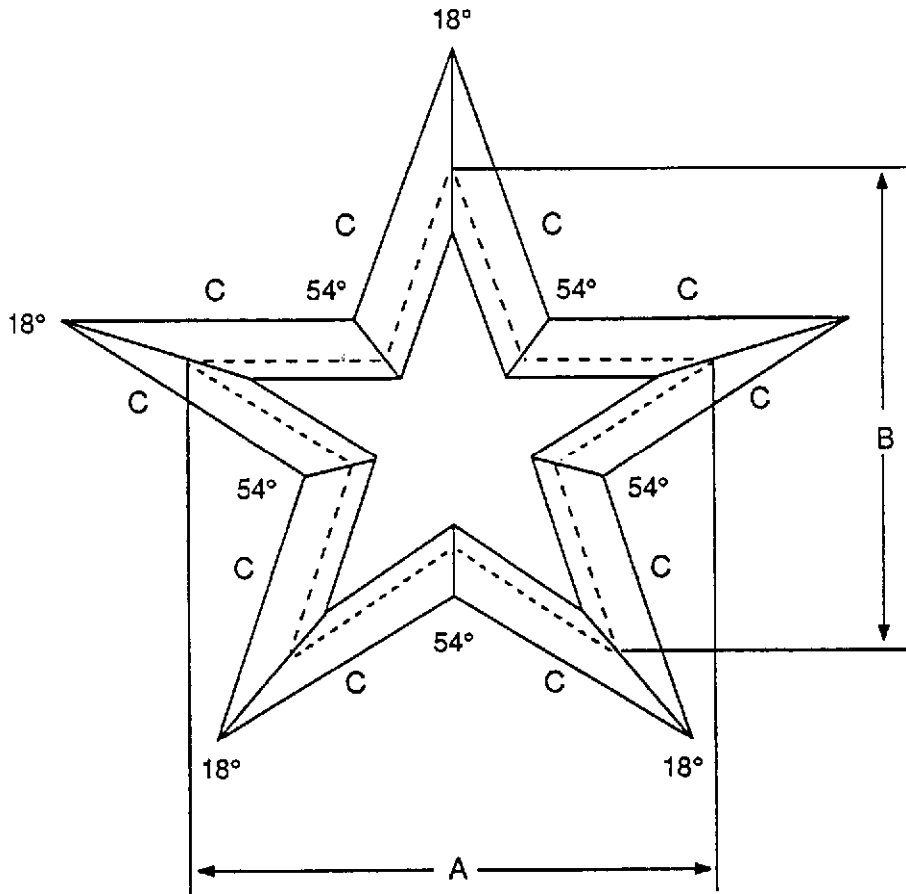
1.000	1.150	0.333
-------	-------	-------

# True Star

Angle Settings: 18.0° & 54°

A & B - Overall picture area including rabbet

C - Length of cut



A	B	C
3.000	3.000	1.146
4.000	4.000	1.528
5.000	5.000	1.910
6.000	6.000	2.292
7.000	7.000	2.674
8.000	8.000	3.056
9.000	9.000	3.438
10.000	10.000	3.820
11.000	11.000	4.202
12.000	12.000	4.584
13.000	13.000	4.966
14.000	14.000	5.348
15.000	15.000	5.730
16.000	16.000	6.112
17.000	17.000	6.494
18.000	18.000	6.876
19.000	19.000	7.258
20.000	20.000	7.640
21.000	21.000	8.022
22.000	22.000	8.404
23.000	23.000	8.786
24.000	24.000	9.168
25.000	25.000	9.550
26.000	26.000	9.932
27.000	27.000	10.314
28.000	28.000	10.696
29.000	29.000	11.078
30.000	30.000	11.460
31.000	31.000	11.842
32.000	32.000	12.224
33.000	33.000	12.606
34.000	34.000	12.988
35.000	35.000	13.370
36.000	36.000	13.752
37.000	37.000	14.134
38.000	38.000	14.516
39.000	39.000	14.898
40.000	40.000	15.280
41.000	41.000	15.662
42.000	42.000	16.044
43.000	43.000	16.426
44.000	44.000	16.808
45.000	45.000	17.190
46.000	46.000	17.572
47.000	47.000	17.954
48.000	48.000	18.336

COBSTANT:

1.000	1.000	0.382
-------	-------	-------

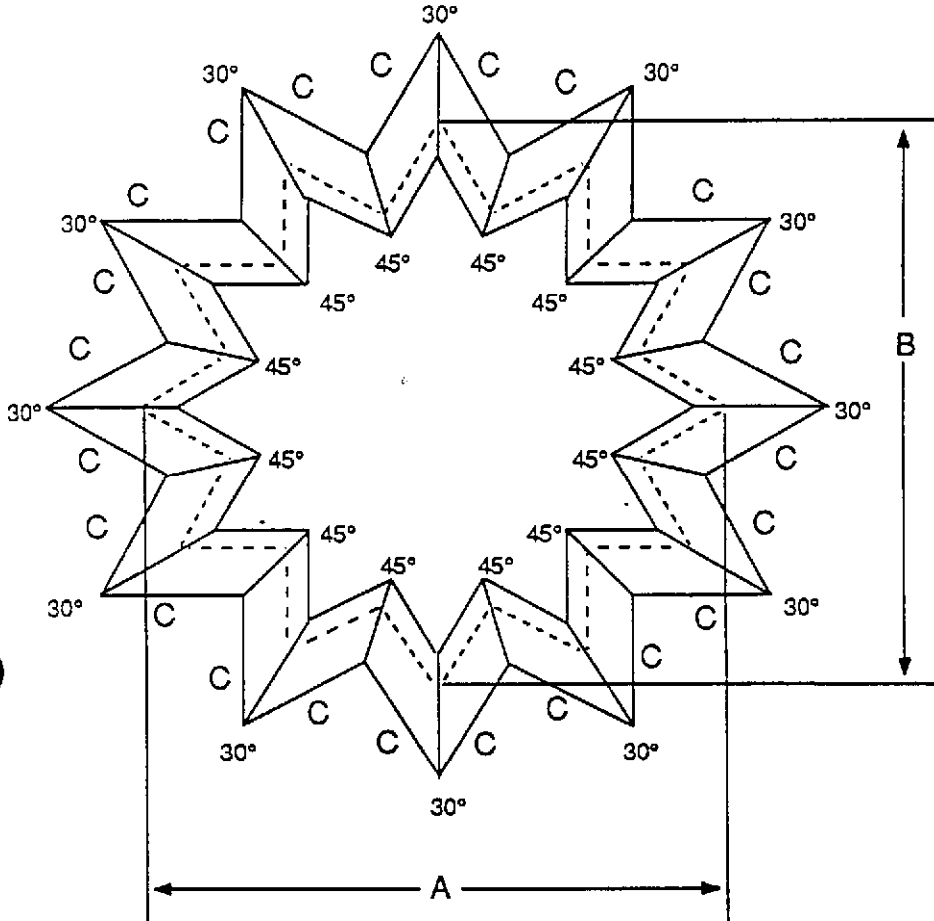


# Starburst

Angle Settings: 30.0° & 45.0°

A & B - Overall picture area including rabbet

C - Length of cut



A	B	C
3.000	3.000	0.666
4.000	4.000	0.853
5.000	5.000	1.040
6.000	6.000	1.227
7.000	7.000	1.414
8.000	8.000	1.601
9.000	9.000	1.788
10.000	10.000	1.975
11.000	11.000	2.162
12.000	12.000	2.349
13.000	13.000	2.536
14.000	14.000	2.723
15.000	15.000	2.910
16.000	16.000	3.097
17.000	17.000	3.284
18.000	18.000	3.471
19.000	19.000	3.658
20.000	20.000	3.845
21.000	21.000	4.032
22.000	22.000	4.219
23.000	23.000	4.406
24.000	24.000	4.593
25.000	25.000	4.780
26.000	26.000	4.967
27.000	27.000	5.154
28.000	28.000	5.341
29.000	29.000	5.528
30.000	30.000	5.715
31.000	31.000	5.902
32.000	32.000	6.089
33.000	33.000	6.276
34.000	34.000	6.463
35.000	35.000	6.650
36.000	36.000	6.837
37.000	37.000	7.024
38.000	38.000	7.211
39.000	39.000	7.398
40.000	40.000	7.585
41.000	41.000	7.772
42.000	42.000	7.959
43.000	43.000	8.146
44.000	44.000	8.333
45.000	45.000	8.520
46.000	46.000	8.707
47.000	47.000	8.894
48.000	48.000	9.081

CONSTANT:

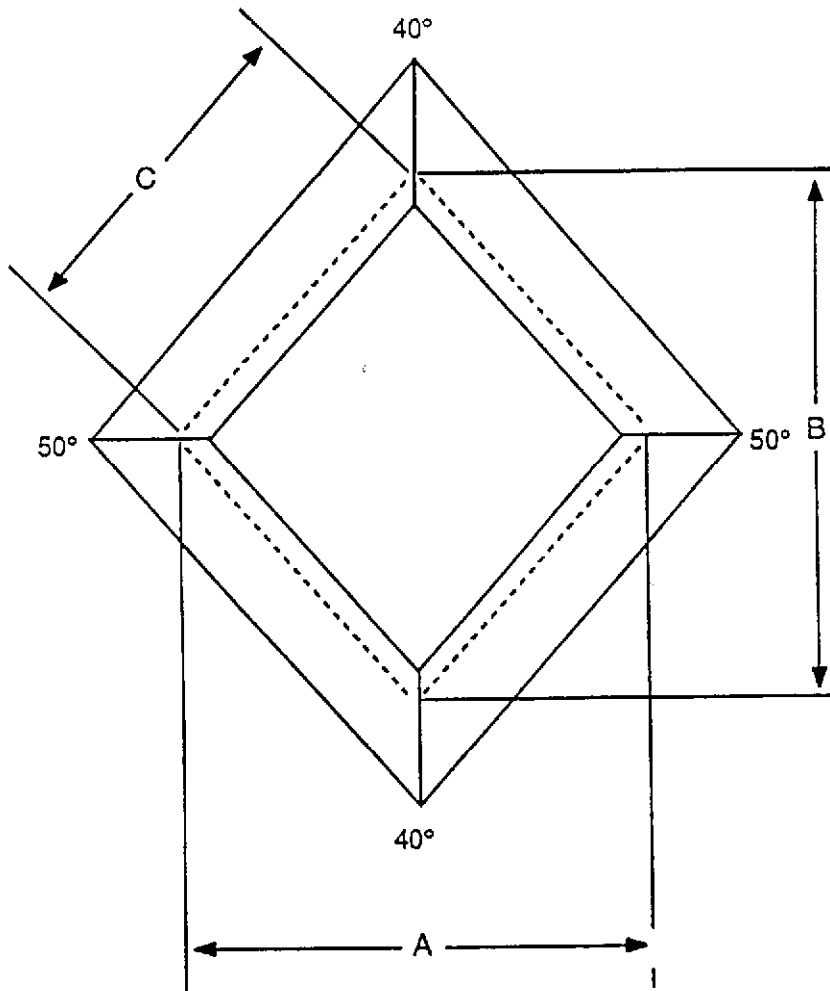
1.000	1.000	0.187
-------	-------	-------

# Standard Diamond

Angle Settings: 40.0° & 50.0°

A & B - Overall picture area including rabbet

C - Length of cut



A	B	C
4.000	4.767	3.111
5.000	5.959	3.889
6.000	7.151	4.667
7.000	8.342	5.445
8.000	9.534	6.223
9.000	10.726	7.001
10.000	11.918	7.779
11.000	13.109	8.557
12.000	14.301	9.334
13.000	15.493	10.112
14.000	16.685	10.890
15.000	17.876	11.668
16.000	19.068	12.446
17.000	20.260	13.224
18.000	21.452	14.002
19.000	22.643	14.779
20.000	23.835	15.557
21.000	25.027	16.335
22.000	26.219	17.113
23.000	27.410	17.891
24.000	28.602	18.669
25.000	29.794	19.447
26.000	30.986	20.224
27.000	32.177	21.002
28.000	33.369	21.780
29.000	34.561	22.558
30.000	35.753	23.336
31.000	36.945	24.114
32.000	38.136	24.892
33.000	39.328	25.670
34.000	40.520	26.447
35.000	41.712	27.225
36.000	42.903	28.003
37.000	44.095	28.781
38.000	45.287	29.559
39.000	46.479	30.337
40.000	47.670	31.115
41.000	48.862	31.892
42.000	50.054	32.670
43.000	51.246	33.448
44.000	52.437	34.226
45.000	53.629	35.004
46.000	54.821	35.782
47.000	56.013	36.560
48.000	57.204	37.337

CONSTANT:

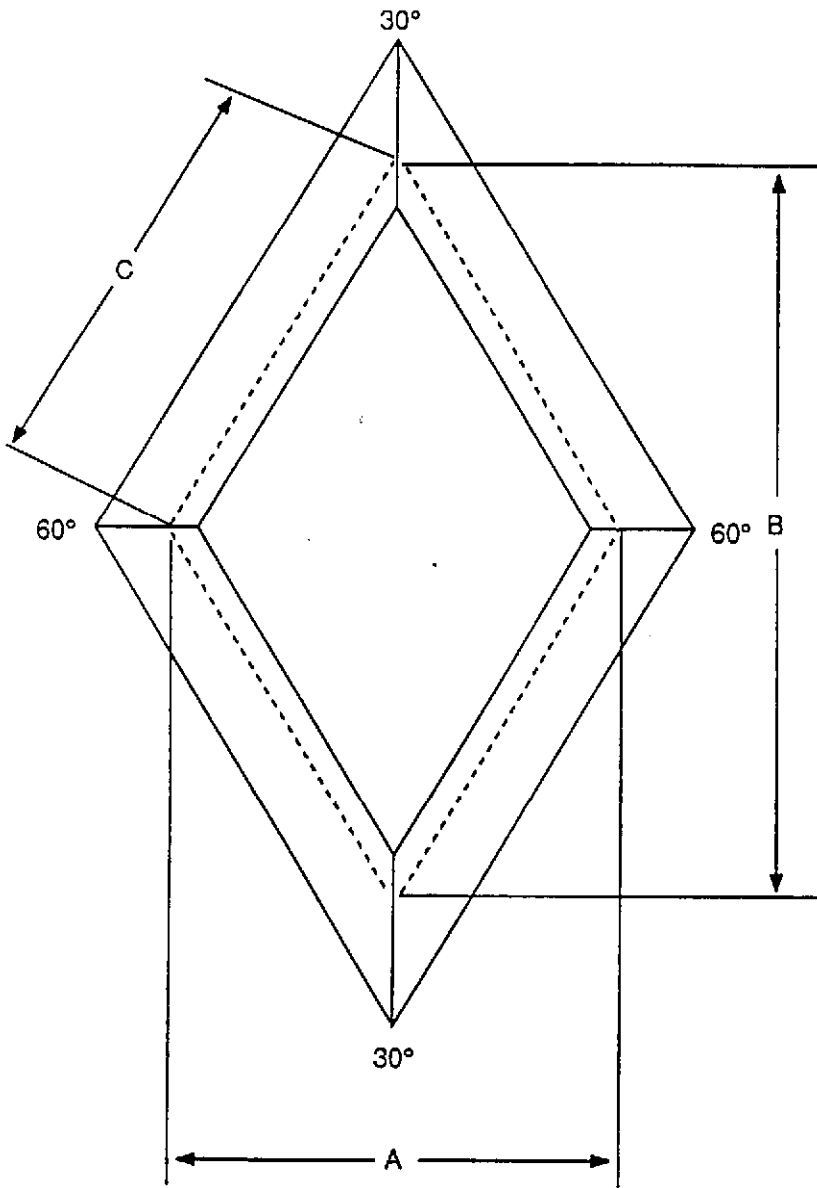
1.000	1.192	0.778
-------	-------	-------

# Elongated Diamond

Angle Settings: 30.0° & 60.0°

A & B - Overall picture area including rabbet

C - Length of cut



A	B	C
3.000	5.196	3.000
4.000	6.928	4.000
5.000	8.660	5.000
6.000	10.392	6.000
7.000	12.124	7.000
8.000	13.856	8.000
9.000	15.588	9.000
10.000	17.320	10.000
11.000	19.052	11.000
12.000	20.784	12.000
13.000	22.516	13.000
14.000	24.248	14.000
15.000	25.980	15.000
16.000	27.712	16.000
17.000	29.444	17.000
18.000	31.176	18.000
19.000	32.908	19.000
20.000	34.640	20.000
21.000	36.372	21.000
22.000	38.104	22.000
23.000	39.836	23.000
24.000	41.568	24.000
25.000	43.300	25.000
26.000	45.032	26.000
27.000	46.764	27.000
28.000	48.496	28.000
29.000	50.228	29.000
30.000	51.960	30.000
31.000	53.692	31.000
32.000	55.424	32.000
33.000	57.156	33.000
34.000	58.888	34.000
35.000	60.620	35.000
36.000	62.352	36.000
37.000	64.084	37.000
38.000	65.816	38.000
39.000	67.548	39.000
40.000	69.280	40.000
41.000	71.012	41.000
42.000	72.744	42.000
43.000	74.476	43.000
44.000	76.208	44.000
45.000	77.940	45.000
46.000	79.672	46.000
47.000	81.404	47.000
48.000	83.136	48.000

CONSTANT:

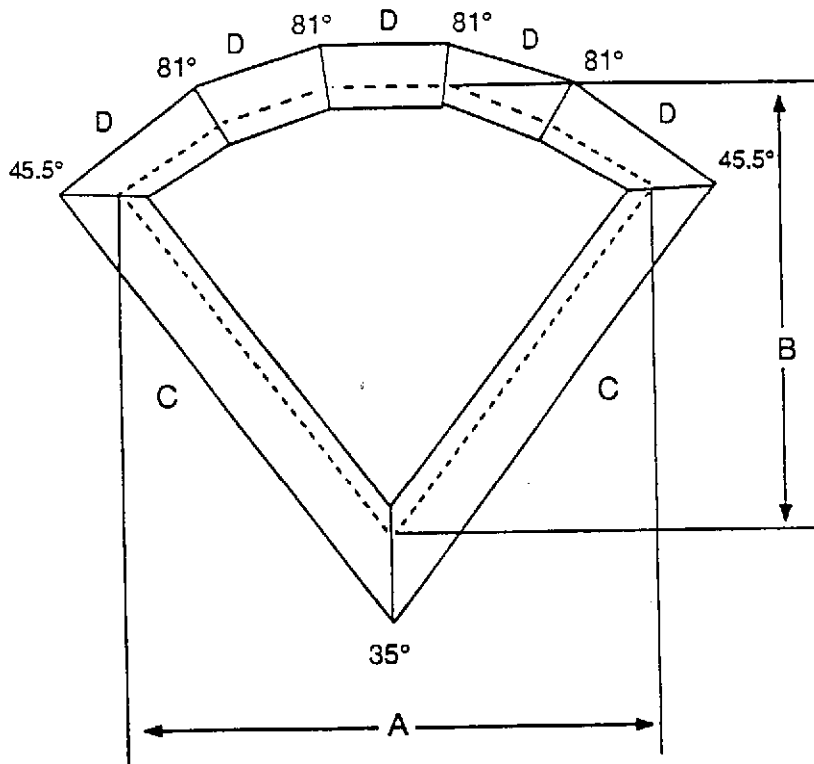
1.000	1.732	1.000
-------	-------	-------

# Diamond Ring

Angle Settings: 35.0°, 45.5° & 81.0°

A & B - Overall picture area including rabbet

C & D - Length of cut



A	B	C	D
3.000	2.598	2.615	0.676
3.994	3.520	3.487	0.894
4.988	4.442	4.359	1.112
5.982	5.364	5.231	1.330
6.976	6.286	6.103	1.548
7.970	7.208	6.975	1.766
8.964	8.130	7.847	1.984
9.958	9.052	8.719	2.202
10.952	9.974	9.591	2.420
11.946	10.896	10.463	2.638
12.940	11.818	11.335	2.856
13.934	12.740	12.207	3.074
14.928	13.662	13.079	3.292
15.922	14.584	13.951	3.510
16.916	15.506	14.823	3.728
17.910	16.428	15.695	3.946
18.904	17.350	16.567	4.164
19.898	18.272	17.439	4.382
20.892	19.194	18.311	4.600
21.886	20.116	19.183	4.818
22.880	21.038	20.055	5.036
23.874	21.960	20.927	5.254
24.868	22.882	21.799	5.472
25.862	23.804	22.671	5.690
26.856	24.726	23.543	5.908
27.850	25.648	24.415	6.126
28.844	26.570	25.287	6.344
29.838	27.492	26.159	6.562
30.832	28.414	27.031	6.780
31.826	29.336	27.903	6.998
32.820	30.258	28.775	7.216
33.814	31.180	29.647	7.434
34.808	32.102	30.519	7.652
35.802	33.024	31.391	7.870
36.796	33.946	32.263	8.088
37.790	34.868	33.135	8.306
38.784	35.790	34.007	8.524
39.778	36.712	34.879	8.742
40.772	37.634	35.751	8.960
41.766	38.556	36.623	9.178
42.760	39.478	37.495	9.396
43.754	40.400	38.367	9.614
44.748	41.322	39.239	9.832
45.742	42.244	40.111	10.050
46.736	43.166	40.983	10.268
47.730	44.088	41.855	10.486

CONSTANT:

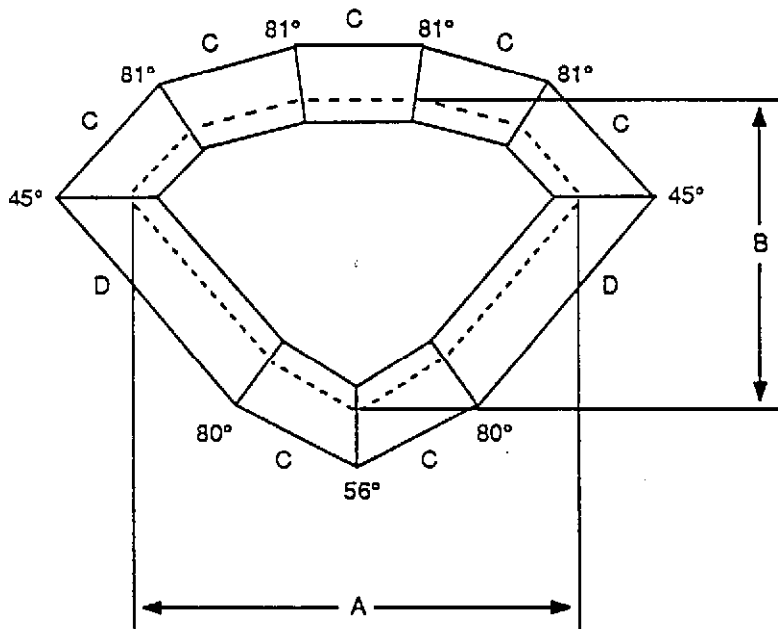
0.994	0.922	0.872	0.218
-------	-------	-------	-------

## Cut Diamond

Angle Settings: 45.0°, 56°, 80.0° & 81°

A & B - Overall picture area including rabbet

C & D - Length of cut



A	B	C	D
6.250	5.000	1.500	3.658
7.644	6.050	1.800	4.390
9.038	7.100	2.100	5.122
10.432	8.150	2.400	5.854
11.826	9.200	2.700	6.586
13.220	10.250	3.000	7.318
14.614	11.300	3.300	8.050
16.008	12.350	3.600	8.782
17.402	13.400	3.900	9.514
18.796	14.450	4.200	10.246
20.190	15.500	4.500	10.978
21.584	16.550	4.800	11.710
22.978	17.600	5.100	12.442
24.372	18.650	5.400	13.174
25.766	19.700	5.700	13.906
27.160	20.750	6.000	14.638
28.554	21.800	6.300	15.370
29.948	22.850	6.600	16.102
31.342	23.900	6.900	16.834
32.736	24.950	7.200	17.566
34.130	26.000	7.500	18.298
35.524	27.050	7.800	19.030
36.918	28.100	8.100	19.762
38.312	29.150	8.400	20.494
39.706	30.200	8.700	21.226
41.100	31.250	9.000	21.958
42.494	32.300	9.300	22.690
43.888	33.350	9.600	23.422
45.282	34.400	9.900	24.154
46.676	35.450	10.200	24.886
48.070	36.500	10.500	25.618
49.464	37.550	10.800	26.350
50.858	38.600	11.100	27.082
52.252	39.650	11.400	27.814
53.646	40.700	11.700	28.546
55.040	41.750	12.000	29.278
56.434	42.800	12.300	30.010
57.828	43.850	12.600	30.742
59.222	44.900	12.900	31.474
60.616	45.950	13.200	32.206
62.010	47.000	13.500	32.938
63.404	48.050	13.800	33.670
64.798	49.100	14.100	34.402

CONSTANT:

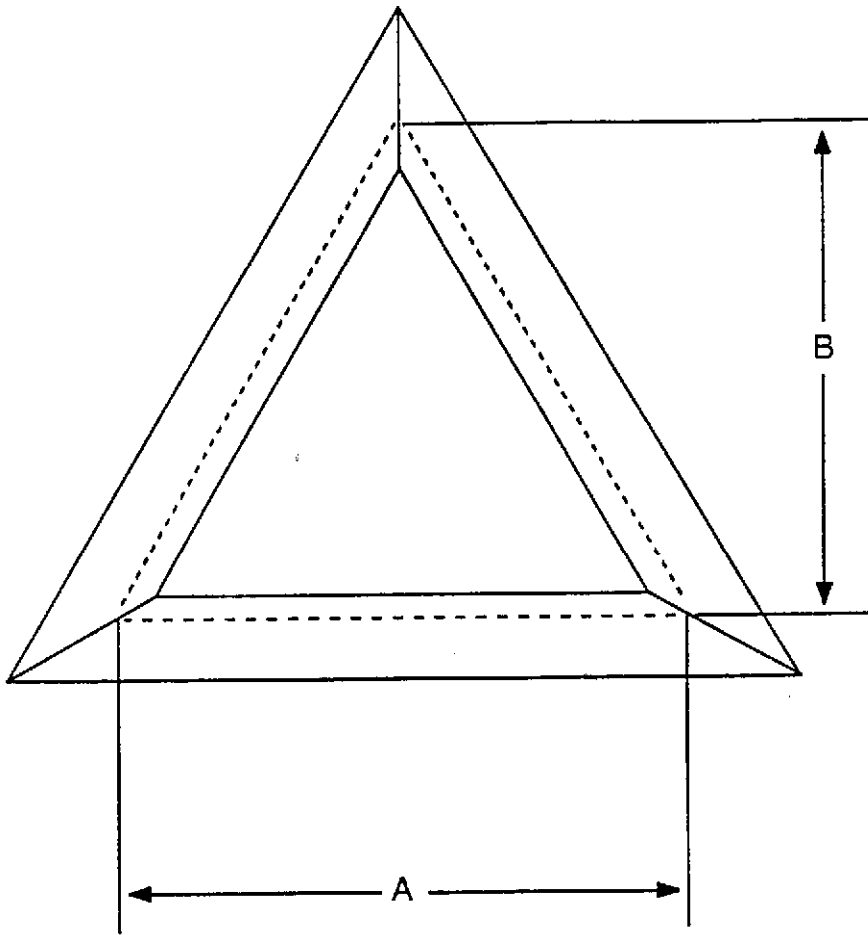
1.394      1.050      0.300      0.732

# Standard Triangle

Angle Setting: 30°

A & B - Overall picture area including rabbet

A - Length of cut



A	B
3.464	3.000
5.196	4.500
6.928	6.000
8.660	7.500
10.393	9.000
12.125	10.500
13.857	12.000
15.589	13.500
17.321	15.000
19.053	16.500
20.785	18.000
22.517	19.500
24.249	21.000
25.981	22.500
27.714	24.000
29.446	25.500
31.178	27.000
32.910	28.500
34.642	30.000
36.374	31.500
38.106	33.000
39.838	34.500
41.570	36.000
43.302	37.500
45.035	39.000
46.767	40.500
48.499	42.000
50.231	43.500
51.963	45.000
53.695	46.500
55.427	48.000
57.159	49.500
58.891	51.000
60.623	52.500
62.356	54.000
64.088	55.500
65.820	57.000
67.552	58.500
69.284	60.000
71.016	61.500
72.748	63.000
74.480	64.500
76.212	66.000
77.944	67.500
79.677	69.000
81.409	70.500
83.141	72.000

CONSTANT:

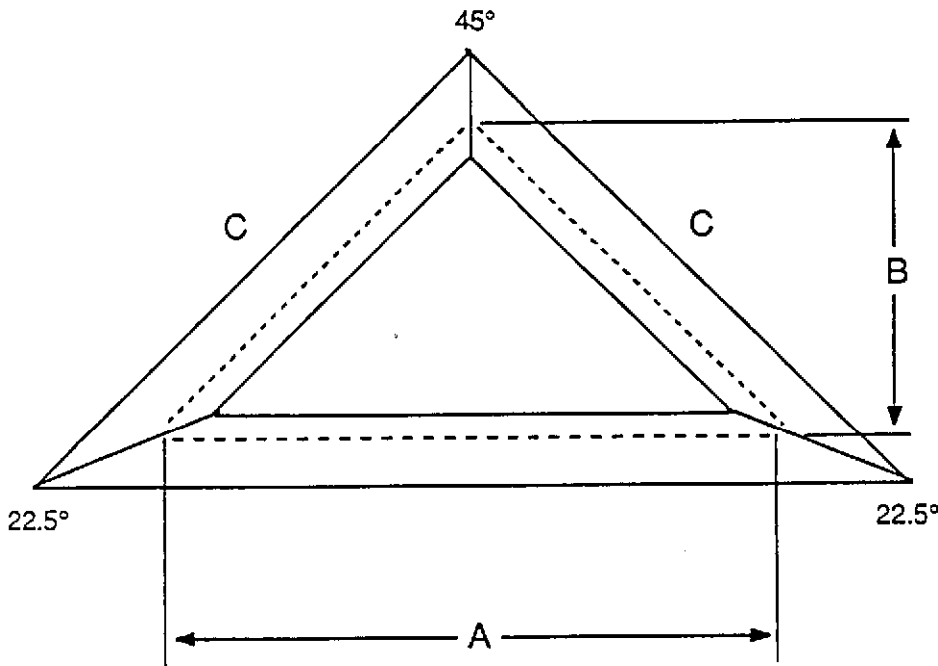
1.732	1.500
-------	-------

# Wide Triangle

Angle Settings: 22.5° & 45.0°

A & B - Overall picture area including rabbet

A & C - Length of cut



	A	B	C
	5.000	2.500	3.536
	6.000	3.000	4.243
	7.000	3.500	4.950
	8.000	4.000	5.657
	9.000	4.500	6.364
	10.000	5.000	7.071
	11.000	5.500	7.778
	12.000	6.000	8.485
	13.000	6.500	9.192
	14.000	7.000	9.899
	15.000	7.500	10.606
	16.000	8.000	11.313
	17.000	8.500	12.020
	18.000	9.000	12.727
	19.000	9.500	13.434
	20.000	10.000	14.141
	21.000	10.500	14.848
	22.000	11.000	15.555
	23.000	11.500	16.262
	24.000	12.000	16.969
	25.000	12.500	17.676
	26.000	13.000	18.383
	27.000	13.500	19.090
	28.000	14.000	19.797
	29.000	14.500	20.504
	30.000	15.000	21.211
	31.000	15.500	21.918
	32.000	16.000	22.625
	33.000	16.500	23.332
	34.000	17.000	24.039
	35.000	17.500	24.746
	36.000	18.000	25.453
	37.000	18.500	26.160
	38.000	19.000	26.867
	39.000	19.500	27.574
	40.000	20.000	28.281
	41.000	20.500	28.988
	42.000	21.000	29.695
	43.000	21.500	30.402
	44.000	22.000	31.109
	45.000	22.500	31.816
	46.000	23.000	32.523
	47.000	23.500	33.230
	48.000	24.000	33.937

CONSTANT:

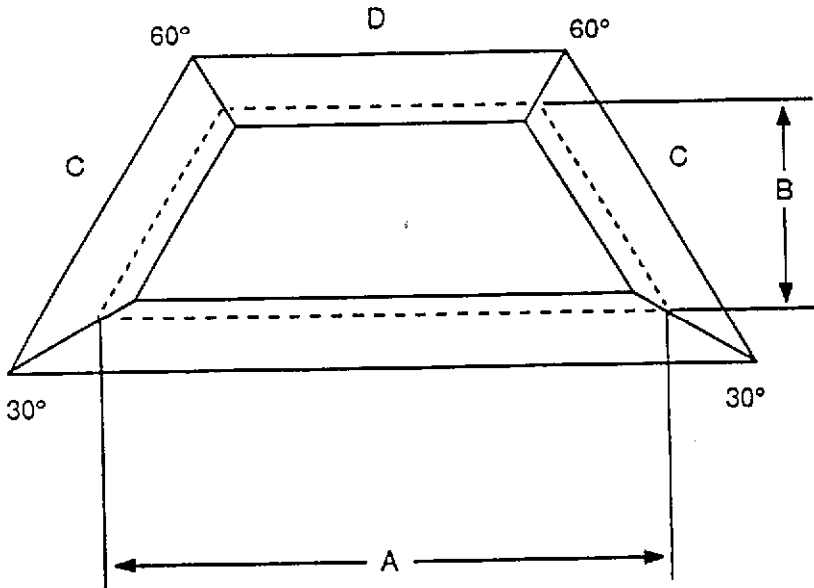
1.000	0.500	0.707
		21

# Flat Top Triangle

Angle Settings: 30.0° & 60.0°

A & B - Overall picture area including rabbet

A, C & D - Length of cut



	A	B	C	D
8.000	3.395	3.432	3.923	
9.000	3.765	3.923	4.479	
10.000	4.135	4.414	5.035	
11.000	4.505	4.905	5.591	
12.000	4.875	5.396	6.147	
13.000	5.245	5.887	6.703	
14.000	5.615	6.378	7.259	
15.000	5.985	6.869	7.815	
16.000	6.355	7.360	8.371	
17.000	6.725	7.851	8.927	
18.000	7.095	8.342	9.483	
19.000	7.465	8.833	10.039	
20.000	7.835	9.324	10.595	
21.000	8.205	9.815	11.151	
22.000	8.575	10.306	11.707	
23.000	8.945	10.797	12.263	
24.000	9.315	11.288	12.819	
25.000	9.685	11.779	13.375	
26.000	10.055	12.270	13.931	
27.000	10.425	12.761	14.487	
28.000	10.795	13.252	15.043	
29.000	11.165	13.743	15.599	
30.000	11.535	14.234	16.155	
31.000	11.905	14.725	16.711	
32.000	12.275	15.216	17.267	
33.000	12.645	15.707	17.823	
34.000	13.015	16.198	18.379	
35.000	13.385	16.689	18.935	
36.000	13.755	17.180	19.491	
37.000	14.125	17.671	20.047	
38.000	14.495	18.162	20.603	
39.000	14.865	18.653	21.159	
40.000	15.235	19.144	21.715	
41.000	15.605	19.635	22.271	
42.000	15.975	20.126	22.827	
43.000	16.345	20.617	23.383	
44.000	16.715	21.108	23.939	
45.000	17.085	21.599	24.495	
46.000	17.455	22.090	25.051	
47.000	17.825	22.581	25.607	
48.000	18.195	23.072	26.163	

CONSTANT:

1.000	0.375	0.491	0.556
-------	-------	-------	-------

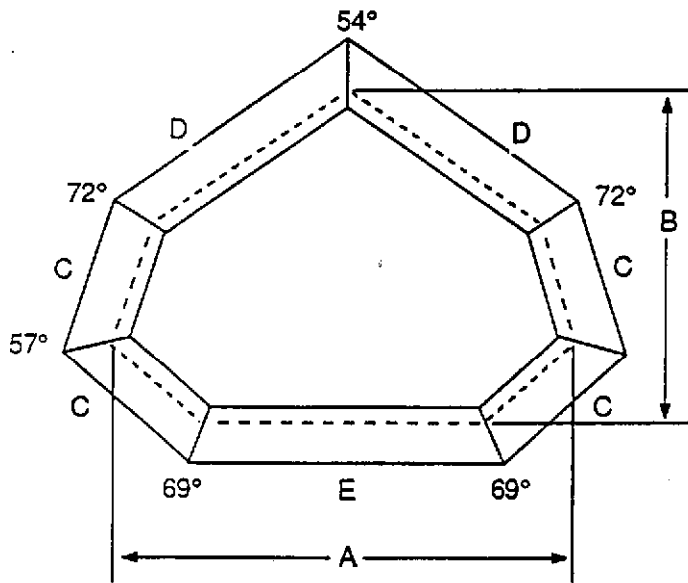


## Tear Drop - wide, 7 sided

Angle Settings: 54.0°, 57.0°, 69.0° & 72.0°

A & B - Overall picture area including rabbet

C, D & E - Length of cut



	A	B	C	D	E
	7.445	0.363	0.633	4.252	6.392
	8.597	1.513	1.151	4.783	6.759
	9.749	2.663	1.669	5.314	7.126
	10.901	3.812	2.187	5.845	7.493
	12.053	4.963	2.705	6.376	7.860
	13.205	6.113	3.223	6.907	8.227
	14.357	7.263	3.741	7.438	8.594
	15.509	8.413	4.259	7.969	8.961
	16.661	9.563	4.777	8.500	9.328
	17.813	10.713	5.295	9.031	9.695
	18.965	11.863	5.813	9.562	10.062
	20.117	13.013	6.331	10.093	10.429
	21.269	14.163	6.849	10.624	10.796
	22.421	15.313	7.367	11.155	11.163
	23.573	16.463	7.885	11.686	11.530
	24.725	17.612	8.403	12.217	11.897
	25.887	18.762	8.921	12.748	12.264
	27.029	19.912	9.439	13.279	12.631
	28.181	21.062	9.957	13.810	12.998
	29.333	22.212	10.475	14.341	13.365
	30.485	23.363	10.993	14.872	13.732
	31.637	24.513	11.511	15.403	14.099
	32.789	25.662	12.029	15.934	14.466
	33.941	26.812	12.547	16.465	14.833
	35.093	27.962	13.065	16.996	15.200
	36.245	29.113	13.583	17.527	15.567
	37.397	30.263	14.101	18.058	15.934
	38.549	31.412	14.619	18.589	16.301
	39.701	32.563	15.137	19.120	16.668
	40.853	33.712	15.655	19.651	17.035
	42.005	34.863	16.173	20.182	17.402
	43.157	36.012	16.691	20.713	17.769
	44.309	37.162	17.209	21.244	18.136
	45.461	38.312	17.727	21.775	18.503
	46.613	39.462	18.245	22.306	18.870
	47.765	40.613	18.763	22.837	19.237
	48.917	41.762	19.281	23.368	19.604

CONSTANT:

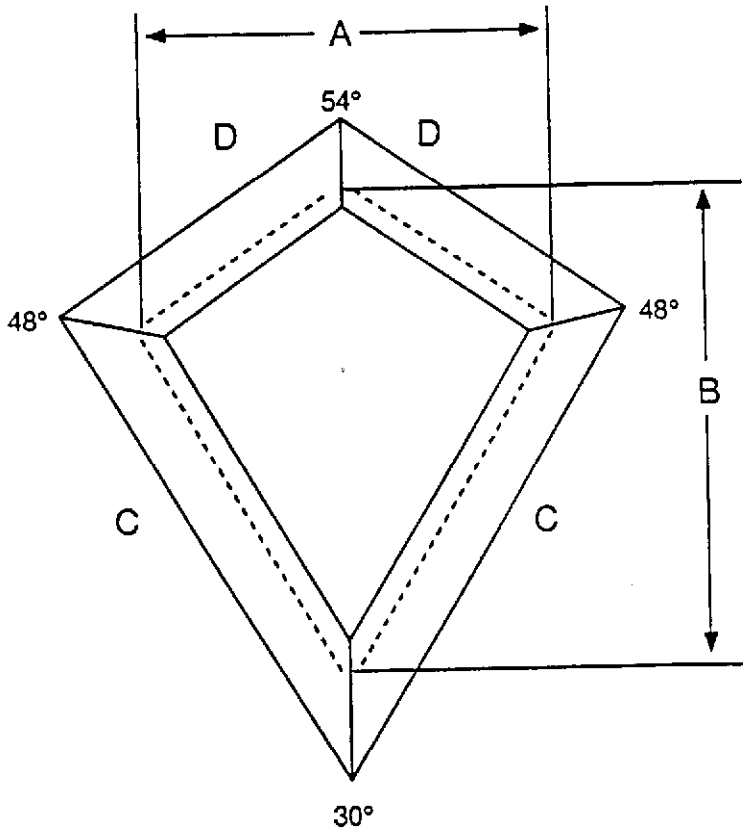
1.152	1.150	0.518	0.531	0.367
-------	-------	-------	-------	-------

# Tear Drop - 4 sided

Angle Settings: 30.0°, 48.0° & 54.0°

A & B - Overall picture area including rabbet

C & D - Length of cut



A	B	C	D
3.254	4.000	3.254	2.001
4.067	5.000	4.067	2.514
4.881	6.000	4.881	3.017
5.694	7.000	5.694	3.519
6.508	8.000	6.508	4.022
7.321	9.000	7.321	4.525
8.135	10.000	8.135	5.028
8.948	11.000	8.948	5.530
9.762	12.000	9.762	6.033
10.575	13.000	10.575	6.536
11.389	14.000	11.389	7.039
12.202	15.000	12.202	7.541
13.016	16.000	13.016	8.044
13.829	17.000	13.829	8.547
14.643	18.000	14.643	9.050
15.456	19.000	15.456	9.552
16.270	20.000	16.270	10.055
17.083	21.000	17.083	10.558
17.896	22.000	17.896	11.061
18.710	23.000	18.710	11.563
19.523	24.000	19.523	12.066
20.337	25.000	20.337	12.569
21.150	26.000	21.150	13.072
21.964	27.000	21.964	13.574
22.777	28.000	22.777	14.077
23.591	29.000	23.591	14.580
24.404	30.000	24.404	15.083
25.218	31.000	25.218	15.586
26.031	32.000	26.031	16.088
26.845	33.000	26.845	16.591
27.658	34.000	27.658	17.094
28.472	35.000	28.472	17.597
29.285	36.000	29.285	18.099
30.099	37.000	30.099	18.602
30.912	38.000	30.912	19.105
31.726	39.000	31.726	19.608
32.539	40.000	32.539	20.110
33.352	41.000	33.352	20.613
34.166	42.000	34.166	21.116
34.979	43.000	34.979	21.619
35.793	44.000	35.793	22.121
36.606	45.000	36.606	22.624
37.420	46.000	37.420	23.127
38.233	47.000	38.233	23.630
39.047	48.000	39.047	24.132

CONSTANT:

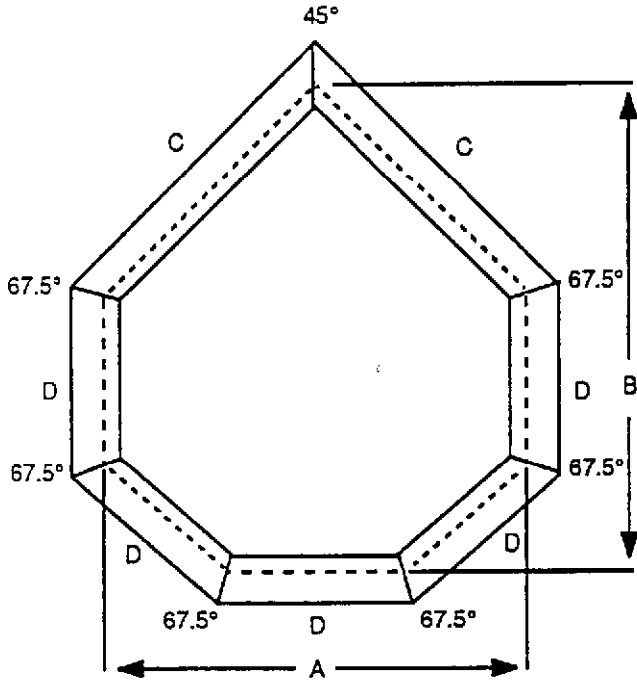
0.813	1.000	0.813	0.503
-------	-------	-------	-------

## Tear Drop — 7 sided

Angle Settings - 45° & 67.5°

A & B - Overall picture area including rabbet

C & D - Length of cut



A	B	C	D
3.000	3.534	2.122	1.206
3.960	4.694	2.791	1.608
4.920	5.854	3.460	2.010
5.880	7.014	4.129	2.412
6.840	8.174	4.798	2.814
7.800	9.334	5.467	3.216
8.760	10.494	6.136	3.618
9.720	11.654	6.805	4.020
10.680	12.814	7.474	4.422
11.640	13.974	8.143	4.824
12.600	15.134	8.812	5.226
13.560	16.294	9.481	5.628
14.520	17.454	10.150	6.030
15.480	18.614	10.819	6.432
16.440	19.774	11.488	6.834
17.400	20.934	12.157	7.236
18.360	22.094	12.826	7.638
19.320	23.254	13.495	8.040
20.280	24.414	14.164	8.442
21.240	25.574	14.833	8.844
22.200	26.734	15.502	9.246
23.160	27.894	16.171	9.648
24.120	29.054	16.840	10.050
25.080	30.214	17.509	10.452
26.040	31.374	18.178	10.854
27.000	32.534	18.847	11.256
27.960	33.694	19.516	11.658
28.920	34.854	20.185	12.060
29.880	36.014	20.854	12.462
30.840	37.174	21.523	12.864
31.800	38.334	22.192	13.266
32.760	39.494	22.861	13.668
33.720	40.654	23.530	14.070
34.680	41.814	24.199	14.472
35.640	42.974	24.868	14.874
36.600	44.134	25.537	15.276
37.560	45.294	26.206	15.678
38.520	46.454	26.875	16.080
39.480	47.614	27.544	16.482
40.440	48.774	28.213	16.884
41.400	49.934	28.882	17.286
42.360	51.094	29.551	17.688
43.320	52.254	30.220	18.090
44.280	53.414	30.889	18.492
45.240	54.574	31.558	18.894
46.200	55.734	32.227	19.296

CONSTANT:

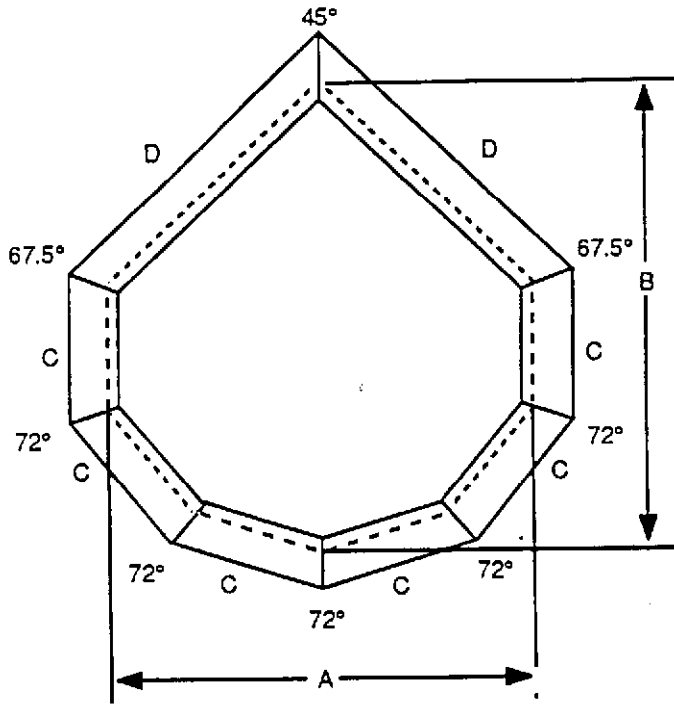
0.960      1.160      0.669      0.402

# Tear Drop - 8 sided

Angle Settings: 45.0°, 67.5° & 72.0°

A & B - Overall picture area including rabbet

C & D - Length of cut



	A	B	C	D
	3.000	3.375	0.907	2.093
	4.000	4.625	1.250	2.812
	5.000	5.875	1.593	3.531
	6.000	7.125	1.936	4.250
	7.000	8.375	2.279	4.969
	8.000	9.625	2.622	5.688
	9.000	10.875	2.965	6.407
	10.000	12.125	3.308	7.126
	11.000	13.375	3.651	7.845
	12.000	14.625	3.994	8.564
	13.000	15.875	4.337	9.283
	14.000	17.125	4.680	10.002
	15.000	18.375	5.023	10.721
	16.000	19.625	5.366	11.440
	17.000	20.875	5.709	12.159
	18.000	22.125	6.052	12.878
	19.000	23.375	6.395	13.597
	20.000	24.625	6.738	14.316
	21.000	25.875	7.081	15.035
	22.000	27.125	7.424	15.754
	23.000	28.375	7.767	16.473
	24.000	29.625	8.110	17.192
	25.000	30.875	8.453	17.911
	26.000	32.125	8.796	18.630
	27.000	33.375	9.139	19.349
	28.000	34.625	9.482	20.068
	29.000	35.875	9.825	20.787
	30.000	37.125	10.168	21.506
	31.000	38.375	10.511	22.225
	32.000	39.625	10.854	22.944
	33.000	40.875	11.197	23.663
	34.000	42.125	11.540	24.382
	35.000	43.375	11.883	25.101
	36.000	44.625	12.226	25.820
	37.000	45.875	12.569	26.539
	38.000	47.125	12.912	27.258
	39.000	48.375	13.255	27.977
	40.000	49.625	13.598	28.696
	41.000	50.875	13.941	29.415
	42.000	52.125	14.284	30.134
	43.000	53.375	14.627	30.853
	44.000	54.625	14.970	31.572
	45.000	55.875	15.313	32.291
	46.000	57.125	15.656	33.010
	47.000	58.375	15.999	33.729
	48.000	59.625	16.342	34.448

CONSTANT:

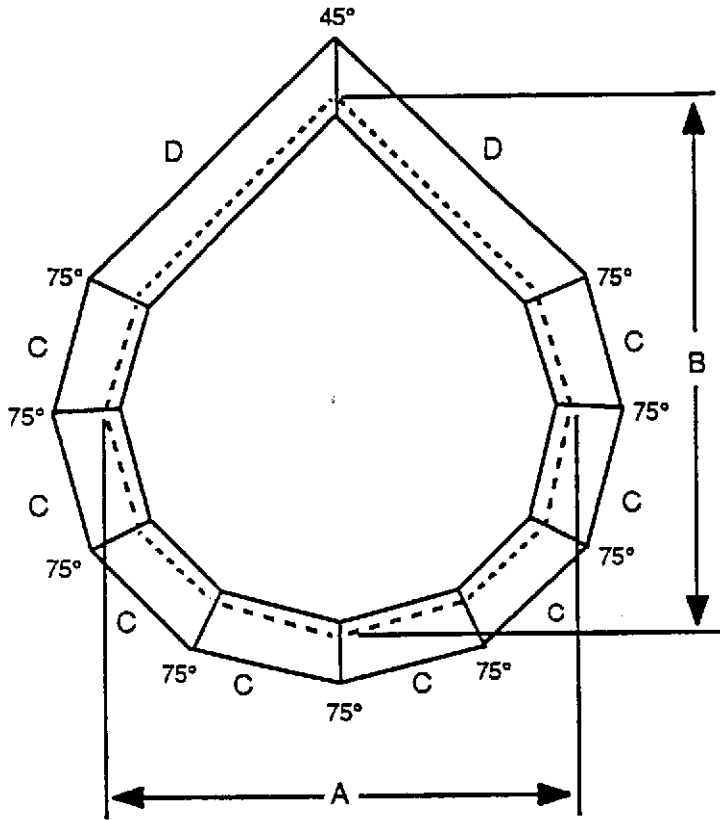
1.000	1.250	0.343	0.719
-------	-------	-------	-------

## Tear Drop - 10 sided

Angle Settings: 45.0° & 75.0°

A & B - Overall picture area including rabbet

C & D - Length of cut



	A	B	C	D
	3.000	3.531	0.780	1.785
	4.000	4.710	1.040	2.381
	5.000	5.889	1.300	2.977
	6.000	7.068	1.560	3.573
	7.000	8.247	1.820	4.169
	8.000	9.426	2.080	4.765
	9.000	10.605	2.340	5.361
	10.000	11.784	2.600	5.957
	11.000	12.963	2.860	6.553
	12.000	14.142	3.120	7.149
	13.000	15.321	3.380	7.745
	14.000	16.500	3.640	8.341
	15.000	17.679	3.900	8.937
	16.000	18.858	4.160	9.533
	17.000	20.037	4.420	10.129
	18.000	21.216	4.680	10.725
	19.000	22.395	4.940	11.321
	20.000	23.574	5.200	11.917
	21.000	24.753	5.460	12.513
	22.000	25.932	5.720	13.109
	23.000	27.111	5.980	13.705
	24.000	28.290	6.240	14.301
	25.000	29.469	6.500	14.897
	26.000	30.648	6.760	15.493
	27.000	31.827	7.020	16.089
	28.000	33.006	7.280	16.685
	29.000	34.185	7.540	17.281
	30.000	35.364	7.800	17.877
	31.000	36.543	8.060	18.473
	32.000	37.722	8.320	19.069
	33.000	38.901	8.580	19.665
	34.000	40.080	8.840	20.261
	35.000	41.259	9.100	20.857
	36.000	42.438	9.360	21.453
	37.000	43.617	9.620	22.049
	38.000	44.796	9.880	22.645
	39.000	45.975	10.140	23.241
	40.000	47.154	10.400	23.837
	41.000	48.333	10.660	24.433
	42.000	49.512	10.920	25.029
	43.000	50.691	11.180	25.625
	44.000	51.870	11.440	26.221
	45.000	53.049	11.700	26.817
	46.000	54.228	11.960	27.413
	47.000	55.407	12.220	28.009
	48.000	56.586	12.480	28.605

CONSTANT:

1.000	1.179	0.260	0.596
-------	-------	-------	-------

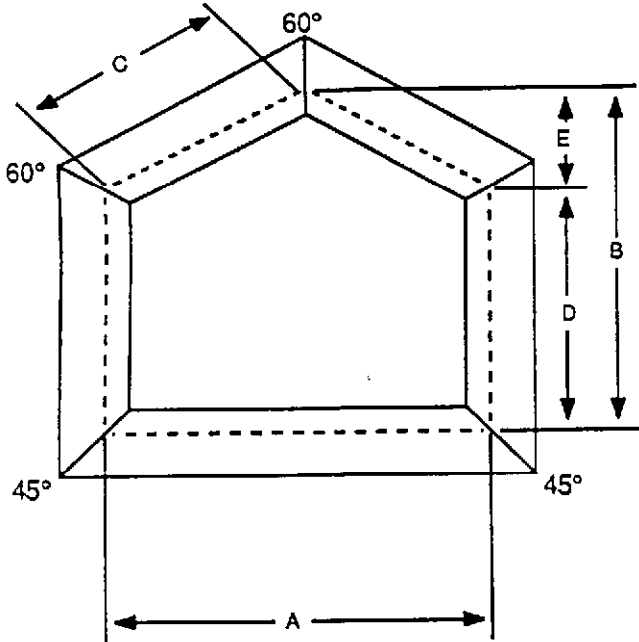
# House Top 1

Length your choice

Angle Settings: 45.0° & 60.0°

A & B - Overall picture area including rabbet

A, C, & E - Length of cut



A	B	C	D	E
3.000	YOUR CHOICE	1.732	D = B - E	0.866
4.000		2.309		1.155
5.000		2.887		1.443
6.000		3.464		1.732
7.000		4.041		2.021
8.000		4.619		2.309
9.000		5.196		2.598
10.000		5.774		2.887
11.000		6.351		3.175
12.000		6.928		3.464
13.000		7.506		3.753
14.000		8.083		4.041
15.000		8.660		4.330
16.000		9.238		4.619
17.000		9.815		4.907
18.000		10.392		5.196
19.000		10.970		5.485
20.000		11.547		5.774
21.000		12.124		6.062
22.000		12.702		6.351
23.000		13.279		6.640
24.000		13.856		6.928
25.000		14.434		7.217
26.000		15.011		7.506
27.000		15.588		7.794
28.000		16.166		8.083
29.000		16.743		8.372
30.000		17.321		8.660
31.000		17.898		8.949
32.000		18.475		9.238
33.000		19.053		9.526
34.000		19.630		9.815
35.000		20.207		10.104
36.000		20.785		10.392
37.000		21.362		10.681
38.000		21.939		10.970
39.000		22.517		11.258
40.000		23.094		11.547
41.000		23.671		11.836
42.000		24.249		12.124
43.000		24.826		12.413
44.000		25.403		12.702
45.000		25.981		12.990
46.000		26.558		13.279
47.000		27.135		13.568
48.000		27.713		13.856

CONSTANT:

1.000

0.577

0.289

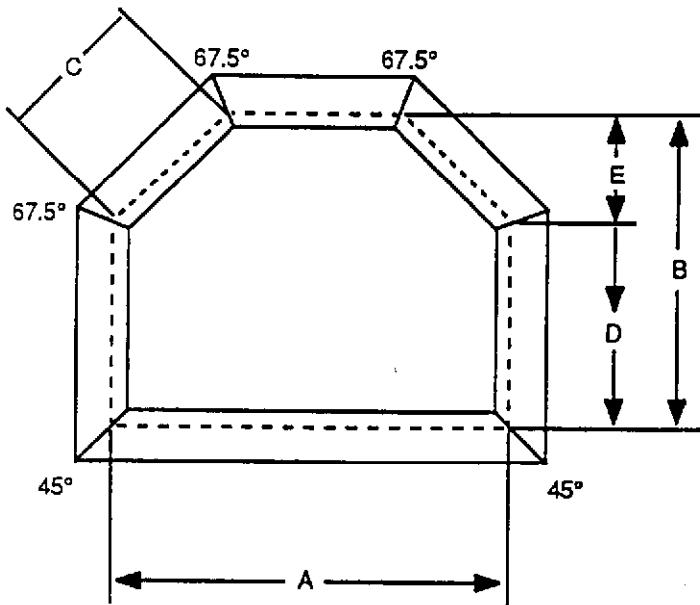
## House Top 2

Length your choice

Angle Settings: 45.0° & 67.5°

A & B - Overall picture area including rabbet

A, C, & D - Length of cut



A	B	C	D	E
3.000	YOUR	1.241	D = B - E	0.879
4.000	CHOICE	1.655		1.172
5.000		2.069		1.464
6.000		2.483		1.757
7.000		2.897		2.050
8.000		3.311		2.343
9.000		3.725		2.636
10.000		4.139		2.929
11.000		4.553		3.222
12.000		4.967		3.515
13.000		5.381		3.808
14.000		5.795		4.101
15.000		6.209		4.394
16.000		6.623		4.687
17.000		7.037		4.980
18.000		7.451		5.273
19.000		7.865		5.566
20.000		8.279		5.859
21.000		8.693		6.152
22.000		9.107		6.445
23.000		9.521		6.738
24.000		9.935		7.031
25.000		10.349		7.324
26.000		10.763		7.617
27.000		11.177		7.910
28.000		11.591		8.203
29.000		12.005		8.496
30.000		12.419		8.789
31.000		12.833		9.082
32.000		13.247		9.375
33.000		13.661		9.668
34.000		14.075		9.961
35.000		14.489		10.254
36.000		14.903		10.547
37.000		15.317		10.840
38.000		15.731		11.133
39.000		16.145		11.426
40.000		16.559		11.719
41.000		16.973		12.012
42.000		17.387		12.305
43.000		17.801		12.598
44.000		18.215		12.891
45.000		18.629		13.184
46.000		19.043		13.477
47.000		19.457		13.770
48.000		19.871		14.063

CONSTANT:

1.000

0.414

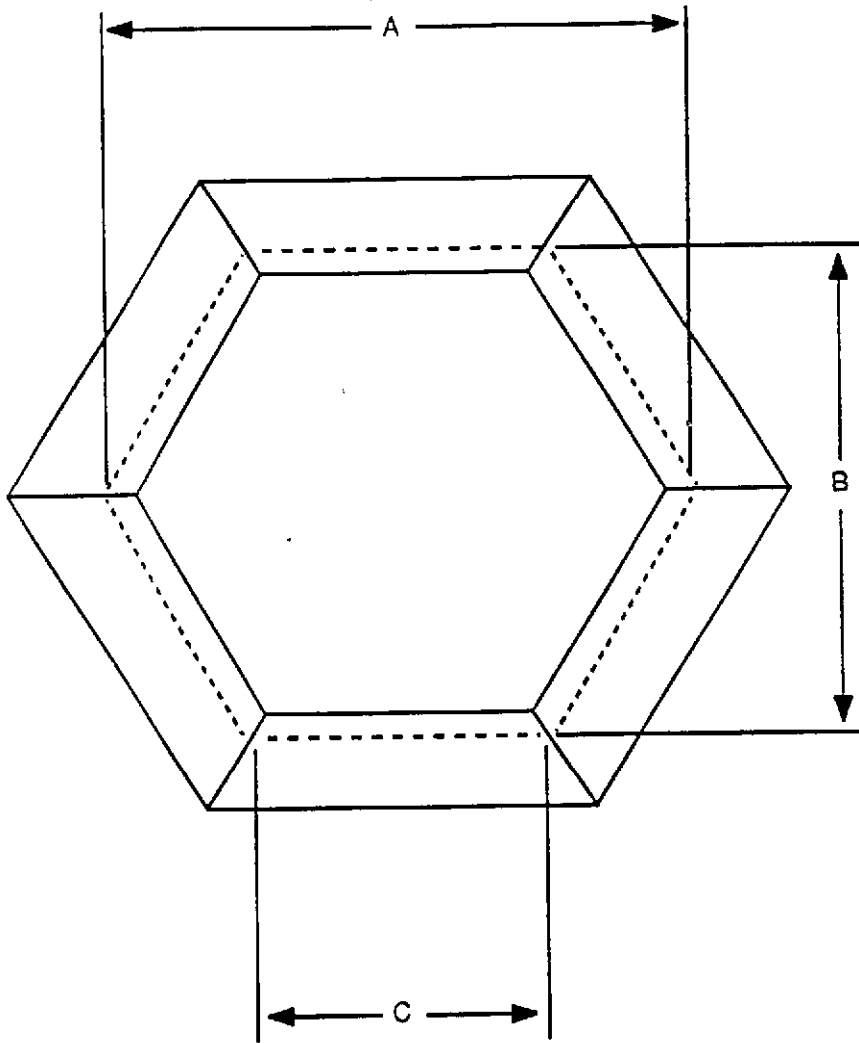
0.293

# 6 - Sided Circular Frame

Angle Setting: 60.0°

A & B - Overall picture area including rabbet

C - Length of cut



A	B	C
3.464	3.000	1.731
4.6188	4.000	2.309
5.7735	5.000	2.887
6.9262	6.000	3.464
8.0829	7.000	4.041
9.2376	8.000	4.619
10.392	9.000	5.196
11.547	10.000	5.774
12.701	11.000	6.351
13.856	12.000	6.928
15.011	13.000	7.506
16.165	14.000	8.083
17.320	15.000	8.660
18.475	16.000	9.238
19.629	17.000	9.815
20.784	18.000	10.392
21.939	19.000	10.970
23.094	20.000	11.547
24.248	21.000	12.124
25.403	22.000	12.702
26.558	23.000	13.279
27.712	24.000	13.856
28.867	25.000	14.434
30.022	26.000	15.011
31.176	27.000	15.588
32.331	28.000	16.166
33.486	29.000	16.743
34.641	30.000	17.321
35.795	31.000	17.898
36.950	32.000	18.475
38.105	33.000	19.053
39.259	34.000	19.630
40.414	35.000	20.207
41.569	36.000	20.785
42.723	37.000	21.362
43.878	38.000	21.939
45.033	39.000	22.517
46.188	40.000	23.094
47.342	41.000	23.671
48.497	42.000	24.249
49.652	43.000	24.826
50.806	44.000	25.403
51.961	45.000	25.981
53.116	46.000	26.558
54.270	47.000	27.135
55.425	48.000	27.713

CONSTANT:

1.155	1.000	0.578
-------	-------	-------

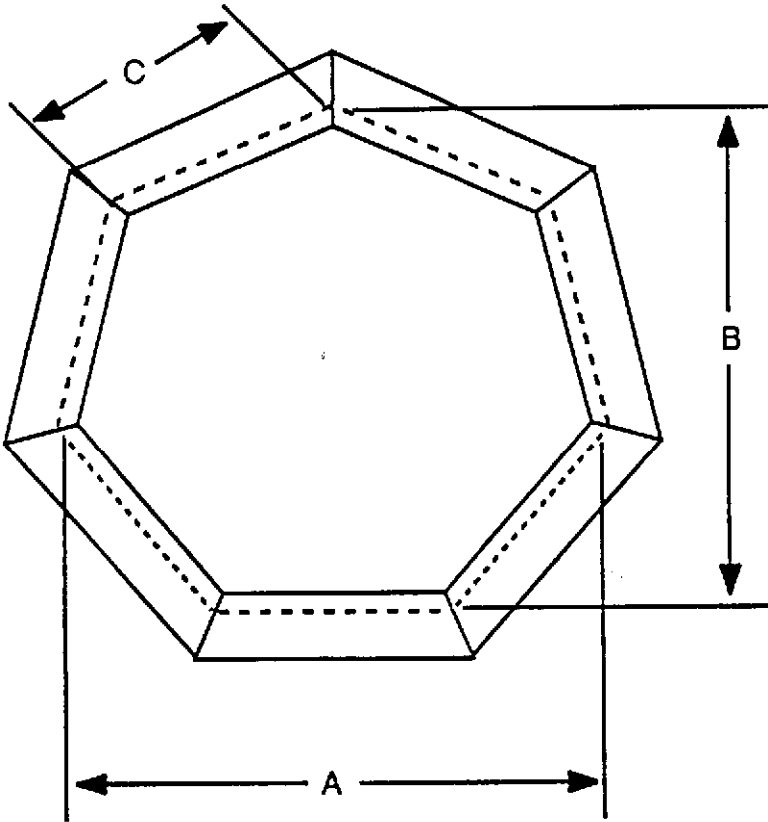


# 7 - Sided Circular Frame

Angle Setting: 64.285°

A & B - Overall picture area including rabbet

C - Length of cut



A	B	C
3.402	3.179	1.500
4.518	4.286	2.000
5.634	5.393	2.500
6.750	6.500	3.000
7.866	7.607	3.500
8.982	8.714	4.000
10.098	9.821	4.500
11.214	10.928	5.000
12.330	12.035	5.500
13.446	13.142	6.000
14.562	14.249	6.500
15.678	15.356	7.000
16.794	16.463	7.500
17.910	17.570	8.000
19.026	18.677	8.500
20.142	19.784	9.000
21.258	20.891	9.500
22.374	21.998	10.000
23.490	23.105	10.500
24.606	24.212	11.000
25.722	25.319	11.500
26.838	26.426	12.000
27.954	27.533	12.500
29.070	28.640	13.000
30.186	29.747	13.500
31.302	30.854	14.000
32.418	31.961	14.500
33.534	33.068	15.000
34.650	34.175	15.500
35.766	35.282	16.000
36.882	36.389	16.500
37.998	37.496	17.000
39.114	38.603	17.500
40.230	39.710	18.000
41.346	40.817	18.500
42.462	41.924	19.000
43.578	43.031	19.500
44.694	44.138	20.000
45.810	45.245	20.500
46.926	46.352	21.000
48.042	47.459	21.500
49.158	48.566	22.000
50.274	49.673	22.500
51.390	50.780	23.000
52.506	51.887	23.500
53.622	52.994	24.000

CONSTANT:

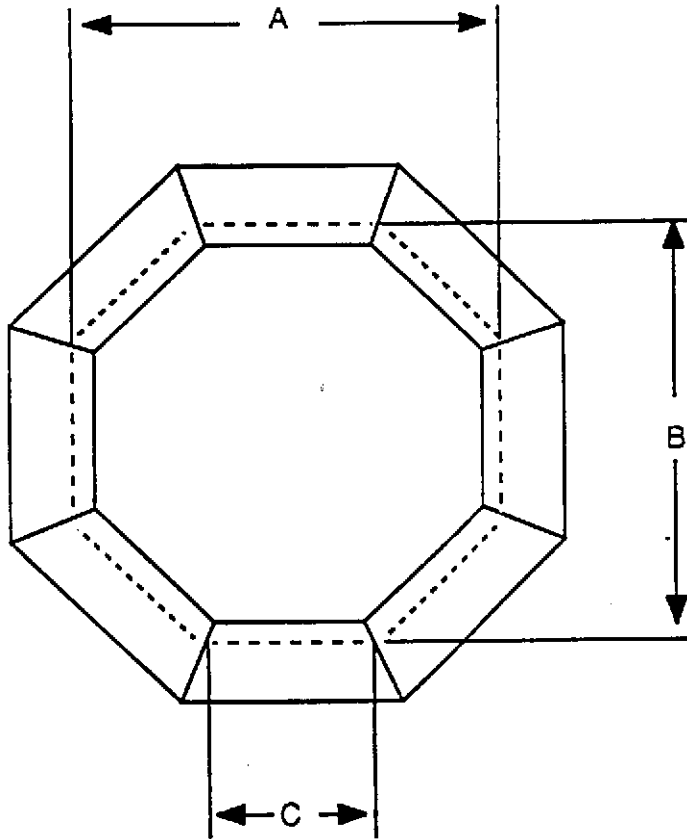
1.116	1.107	0.500
-------	-------	-------

# 8 - Sided Circular Frame

Angle Setting: 67.5°

A & B - Overall picture area including rabbet

C - Length of cut



A	B	C
3.000	3.000	1.243
4.000	4.000	1.657
5.000	5.000	2.071
6.000	6.000	2.485
7.000	7.000	2.899
8.000	8.000	3.314
9.000	9.000	3.728
10.000	10.000	4.142
11.000	11.000	4.556
12.000	12.000	4.971
13.000	13.000	5.385
14.000	14.000	5.799
15.000	15.000	6.213
16.000	16.000	6.627
17.000	17.000	7.042
18.000	18.000	7.456
19.000	19.000	7.870
20.000	20.000	8.284
21.000	21.000	8.698
22.000	22.000	9.113
23.000	23.000	9.527
24.000	24.000	9.941
25.000	25.000	10.355
26.000	26.000	10.769
27.000	27.000	11.184
28.000	28.000	11.598
29.000	29.000	12.012
30.000	30.000	12.426
31.000	31.000	12.841
32.000	32.000	13.255
33.000	33.000	13.669
34.000	34.000	14.083
35.000	35.000	14.497
36.000	36.000	14.912
37.000	37.000	15.326
38.000	38.000	15.740
39.000	39.000	16.154
40.000	40.000	16.568
41.000	41.000	16.983
42.000	42.000	17.397
43.000	43.000	17.811
44.000	44.000	18.225
45.000	45.000	18.639
46.000	46.000	19.054
47.000	47.000	19.468
48.000	48.000	19.882

6.3/4

CONSTANT:

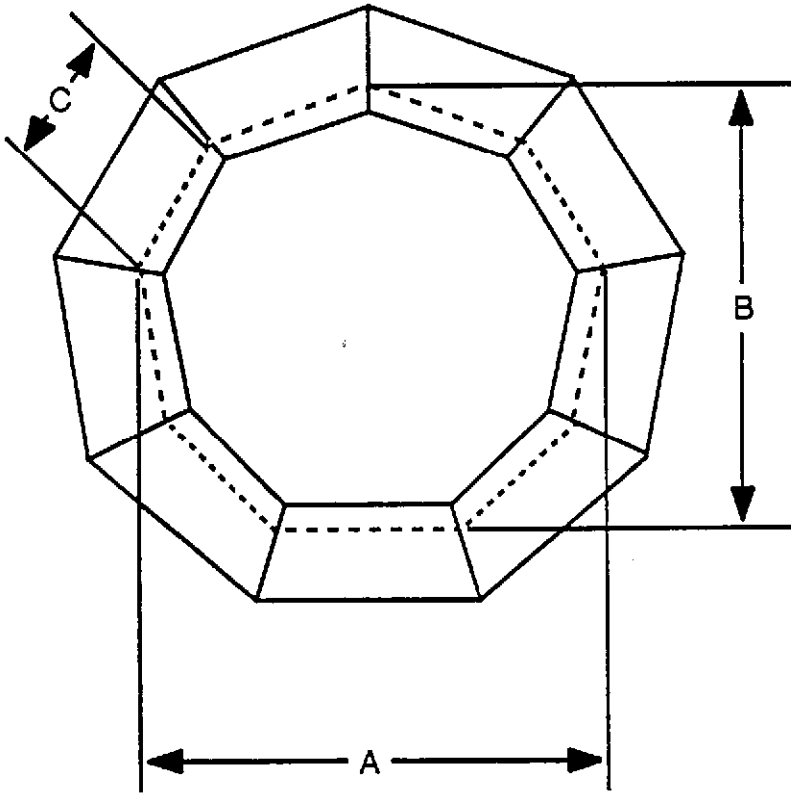
1.000	1.000	.414
-------	-------	------

## 9 - Sided Circular Frame

Angle Setting: 70.0°

A & B - Overall picture area including rabbet

C - Length of cut



A	B	C
4.192	4.128	1.456
5.240	5.160	1.456
6.288	6.193	2.184
7.336	7.225	2.548
8.384	8.257	2.912
9.432	9.289	3.276
10.480	10.321	3.640
11.528	11.353	4.004
12.576	12.385	4.368
13.624	13.417	4.732
14.672	14.449	5.096
15.720	15.481	5.460
16.768	16.513	5.823
17.816	17.546	6.187
18.864	18.578	6.551
19.912	19.610	6.915
20.960	20.642	7.279
22.008	21.674	7.643
23.056	22.706	8.007
24.104	23.738	8.371
25.152	24.770	8.735
26.200	25.802	9.099
27.248	26.834	9.463
28.296	27.866	9.827
29.344	28.898	10.191
30.392	29.931	10.555
31.440	30.963	10.919
32.488	31.995	11.283
33.536	33.027	11.647
34.584	34.059	12.011
35.632	35.091	12.375
36.680	36.123	12.739
37.728	37.155	13.103
38.776	38.187	13.467
39.824	39.219	13.831
40.872	40.251	14.195
41.920	41.284	14.559
42.968	42.316	14.923
44.016	43.348	15.287
45.064	44.380	15.651
46.112	45.412	16.015
47.160	46.444	16.379
48.208	47.476	16.742
49.256	48.508	17.106
50.304	49.540	17.470

CONSTANT:

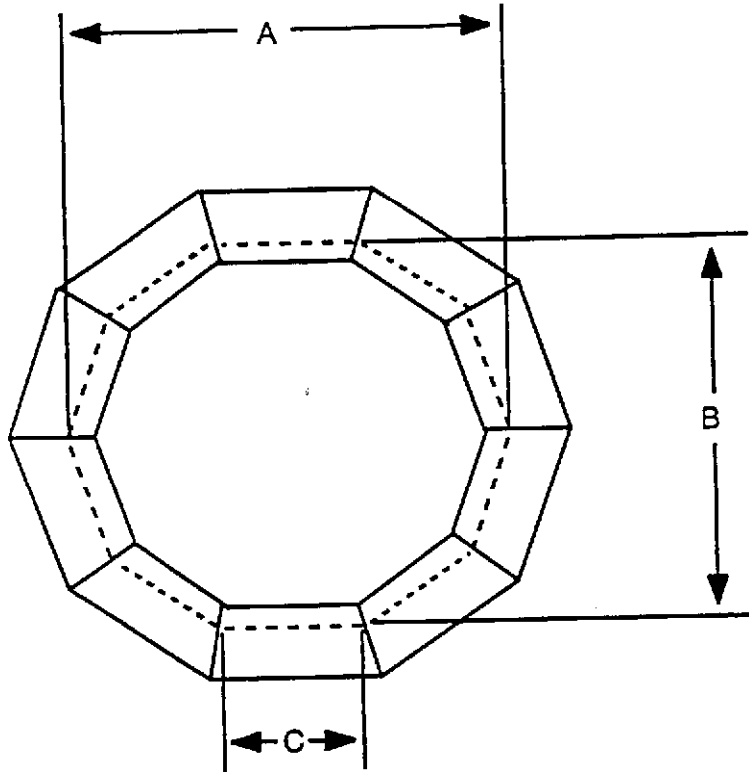
1.048	1.032	0.364
-------	-------	-------

# 10 - Sided Circular Frame

Angle Setting: 72.0°

A & B - Overall picture area including rabbet

C - Length of cut



A	B	C
3.155	3.000	0.975
4.206	4.000	1.300
5.257	5.000	1.625
6.309	6.000	1.949
7.360	7.000	2.274
8.412	8.000	2.599
9.463	9.000	2.924
10.515	10.000	3.249
11.566	11.000	3.574
12.618	12.000	3.899
13.669	13.000	4.224
14.720	14.000	4.549
15.772	15.000	4.874
16.823	16.000	5.199
17.875	17.000	5.524
18.926	18.000	5.848
19.978	19.000	6.173
21.029	20.000	6.498
22.081	21.000	6.823
23.132	22.000	7.148
24.184	23.000	7.473
25.235	24.000	7.798
26.287	25.000	8.123
27.338	26.000	8.448
28.389	27.000	8.773
29.441	28.000	9.098
30.492	29.000	9.423
31.544	30.000	9.747
32.595	31.000	10.072
33.647	32.000	10.397
34.698	33.000	10.722
35.750	34.000	11.047
36.801	35.000	11.372
37.853	36.000	11.697
38.904	37.000	12.022
39.956	38.000	12.347
41.007	39.000	12.672
42.058	40.000	12.997
43.110	41.000	13.322
44.161	42.000	13.646
45.213	43.000	13.971
46.264	44.000	14.296
47.316	45.000	14.621
48.367	46.000	14.946
49.419	47.000	15.271
50.470	48.000	15.596

CONSTANT:

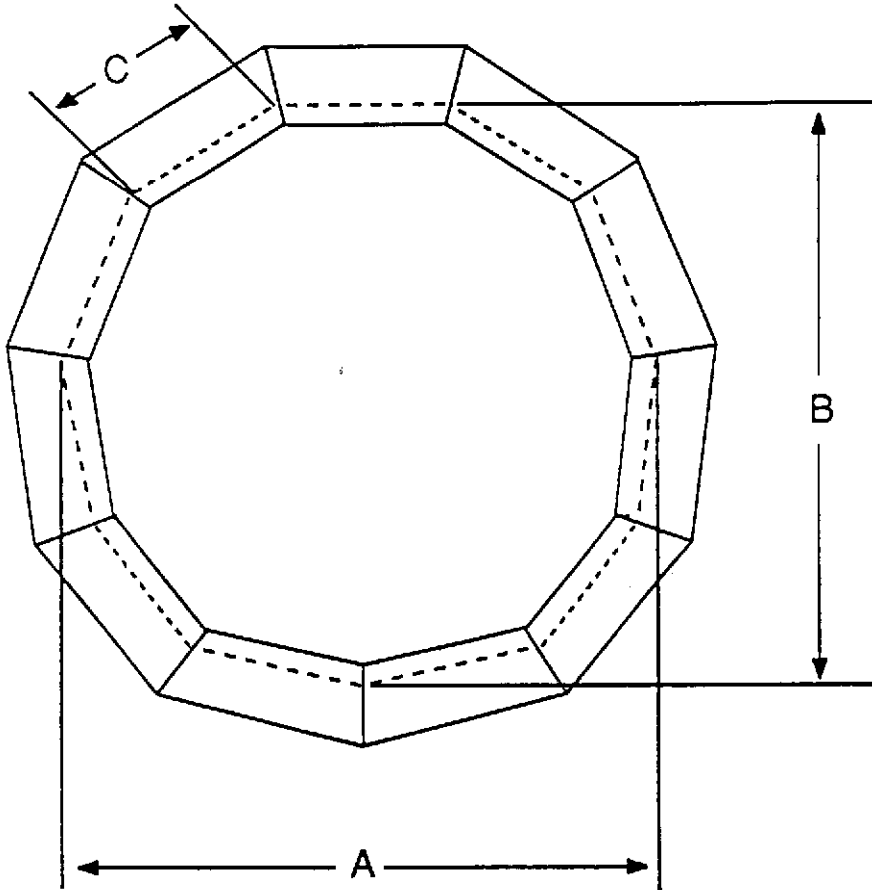
1.051	1.000	.325
-------	-------	------

# 11 - Sided Circular Frame

Angle Setting: 73.64°

A & B - Overall picture area including rabbet

C - Length of cut



A	B	C
3.094	3.064	0.879
4.126	4.085	1.173
5.158	5.106	1.467
6.190	6.127	1.761
7.222	7.148	2.055
8.254	8.169	2.349
9.286	9.190	2.643
10.318	10.211	2.937
11.350	11.232	3.231
12.382	12.253	3.525
13.414	13.274	3.819
14.446	14.295	4.113
15.478	15.316	4.407
16.510	16.337	4.701
17.542	17.358	4.995
18.574	18.379	5.289
19.606	19.400	5.583
20.638	20.421	5.877
21.670	21.442	6.171
22.702	22.463	6.465
23.734	23.484	6.759
24.766	24.505	7.053
25.798	25.526	7.347
26.830	26.547	7.641
27.862	27.568	7.935
28.894	28.589	8.229
29.926	29.610	8.523
30.958	30.631	8.817
31.990	31.652	9.111
33.022	32.673	9.405
34.054	33.694	9.699
35.086	34.715	9.993
36.118	35.736	10.287
37.150	36.757	10.581
38.182	37.778	10.875
39.214	38.799	11.169
40.246	39.820	11.463
41.278	40.841	11.757
42.310	41.862	12.051
43.342	42.883	12.345
44.374	43.904	12.639
45.406	44.925	12.933
46.438	45.946	13.227
47.470	46.967	13.521
48.502	47.988	13.815
49.534	49.009	14.109

CONSTANT:

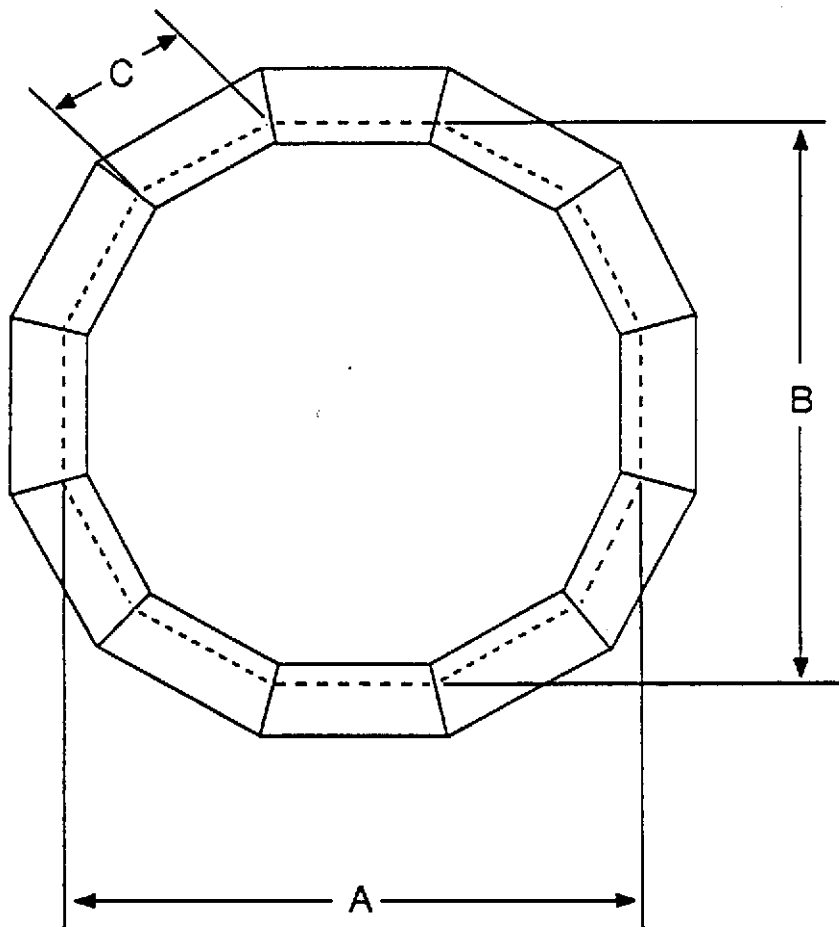
1.032	1.021	0.294
		35

# 12 - Sided Circular Frame

Angle Setting: 75.0°

A & B - Overall picture area including rabbet

C - Length of cut



A	B	C
3.000	3.000	0.804
4.000	4.000	1.072
5.000	5.000	1.340
6.000	6.000	1.608
7.000	7.000	1.876
8.000	8.000	2.144
9.000	9.000	2.412
10.000	10.000	2.680
11.000	11.000	2.948
12.000	12.000	3.216
13.000	13.000	3.484
14.000	14.000	3.752
15.000	15.000	4.020
16.000	16.000	4.288
17.000	17.000	4.556
18.000	18.000	4.824
19.000	19.000	5.092
20.000	20.000	5.360
21.000	21.000	5.628
22.000	22.000	5.896
23.000	23.000	6.164
24.000	24.000	6.432
25.000	25.000	6.700
26.000	26.000	6.968
27.000	27.000	7.236
28.000	28.000	7.504
29.000	29.000	7.772
30.000	30.000	8.040
31.000	31.000	8.308
32.000	32.000	8.576
33.000	33.000	8.844
34.000	34.000	9.112
35.000	35.000	9.380
36.000	36.000	9.648
37.000	37.000	9.916
38.000	38.000	10.184
39.000	39.000	10.452
40.000	40.000	10.720
41.000	41.000	10.988
42.000	42.000	11.256
43.000	43.000	11.524
44.000	44.000	11.792
45.000	45.000	12.060
46.000	46.000	12.328
47.000	47.000	12.596
48.000	48.000	12.864

CONSTANT:

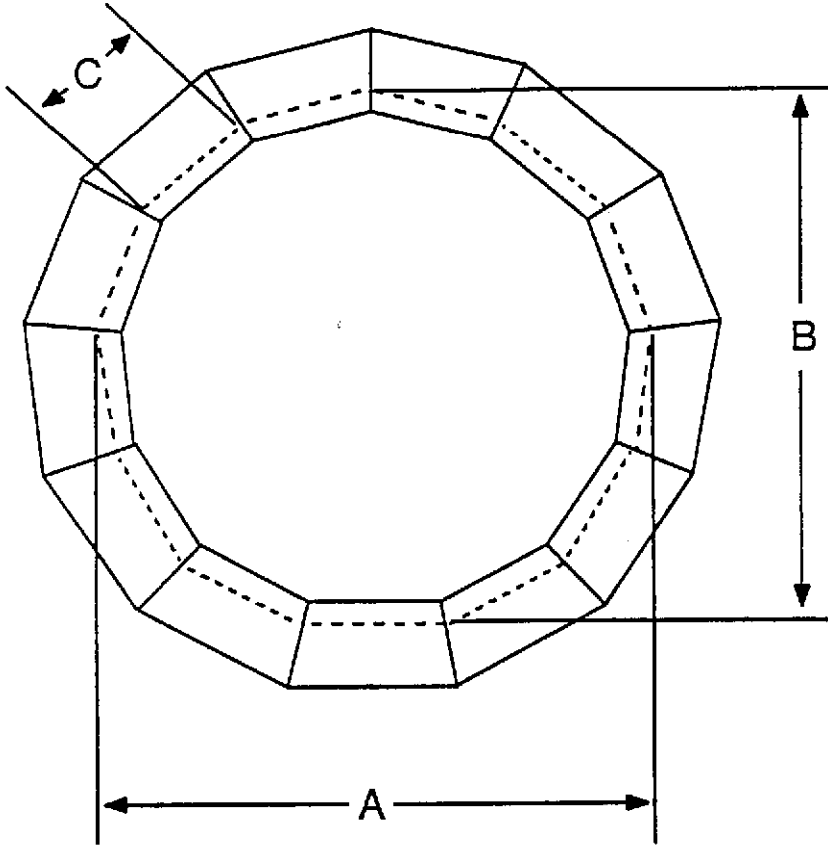
1.000	1.000	0.268
-------	-------	-------

# 13 - Sided Circular Frame

Angle Setting: 76.15°

A & B - Overall picture area including rabbet

C - Length of cut



A	B	C
3.069	3.045	0.738
4.091	4.060	0.985
5.113	5.075	1.232
6.135	6.090	1.479
7.157	7.105	1.726
8.179	8.120	1.973
9.201	9.135	2.220
10.223	10.150	2.467
11.245	11.165	2.714
12.267	12.180	2.961
13.289	13.195	3.208
14.311	14.210	3.455
15.333	15.225	3.702
16.355	16.240	3.949
17.377	17.255	4.196
18.399	18.270	4.443
19.421	19.285	4.690
20.443	20.300	4.937
21.465	21.315	5.184
22.487	22.330	5.431
23.509	23.345	5.678
24.531	24.360	5.925
25.553	25.375	6.172
26.575	26.390	6.419
27.597	27.405	6.666
28.619	28.420	6.913
29.641	29.435	7.160
30.663	30.450	7.407
31.685	31.465	7.654
32.707	32.480	7.901
33.729	33.495	8.148
34.751	34.510	8.395
35.773	35.525	8.642
36.795	36.540	8.889
37.817	37.555	9.136
38.839	38.570	9.383
39.861	39.585	9.630
40.883	40.600	9.877
41.905	41.615	10.124
42.927	42.630	10.371
43.949	43.645	10.618
44.971	44.660	10.865
45.993	45.675	11.112
47.015	46.690	11.359
48.037	47.705	11.606
49.059	48.720	11.853

CONSTANT:

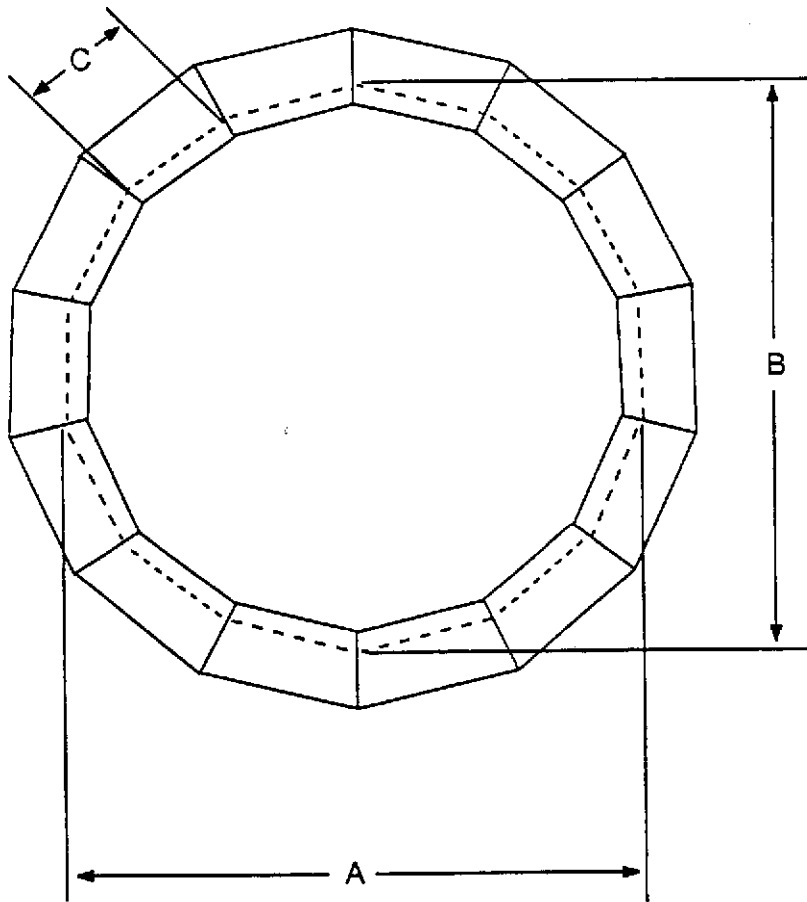
1.022	1.015	0.247
		37

# 14 - Sided Circular Frame

Angle Setting: 77.14°

A & B - Overall picture area including rabbet

C - Length of cut



A	B	C
3.077	3.000	0.685
4.103	4.000	0.913
5.129	5.000	1.141
6.155	6.000	1.369
7.181	7.000	1.597
8.207	8.000	1.825
9.233	9.000	2.053
10.259	10.000	2.281
11.285	11.000	2.509
12.311	12.000	2.737
13.337	13.000	2.965
14.363	14.000	3.193
15.389	15.000	3.421
16.415	16.000	3.649
17.441	17.000	3.877
18.467	18.000	4.105
19.493	19.000	4.333
20.519	20.000	4.561
21.545	21.000	4.789
22.571	22.000	5.017
23.597	23.000	5.245
24.623	24.000	5.473
25.649	25.000	5.701
26.675	26.000	5.929
27.701	27.000	6.157
28.727	28.000	6.385
29.753	29.000	6.613
30.779	30.000	6.841
31.805	31.000	7.069
32.831	32.000	7.297
33.857	33.000	7.525
34.883	34.000	7.753
35.909	35.000	7.981
36.935	36.000	8.209
37.961	37.000	8.437
38.987	38.000	8.665
40.013	39.000	8.893
41.039	40.000	9.121
42.065	41.000	9.349
43.091	42.000	9.577
44.117	43.000	9.805
45.143	44.000	10.033
46.169	45.000	10.261
47.195	46.000	10.489
48.221	47.000	10.717
49.247	48.000	10.945

CONSTANT:

1.026	1.000	0.228
-------	-------	-------

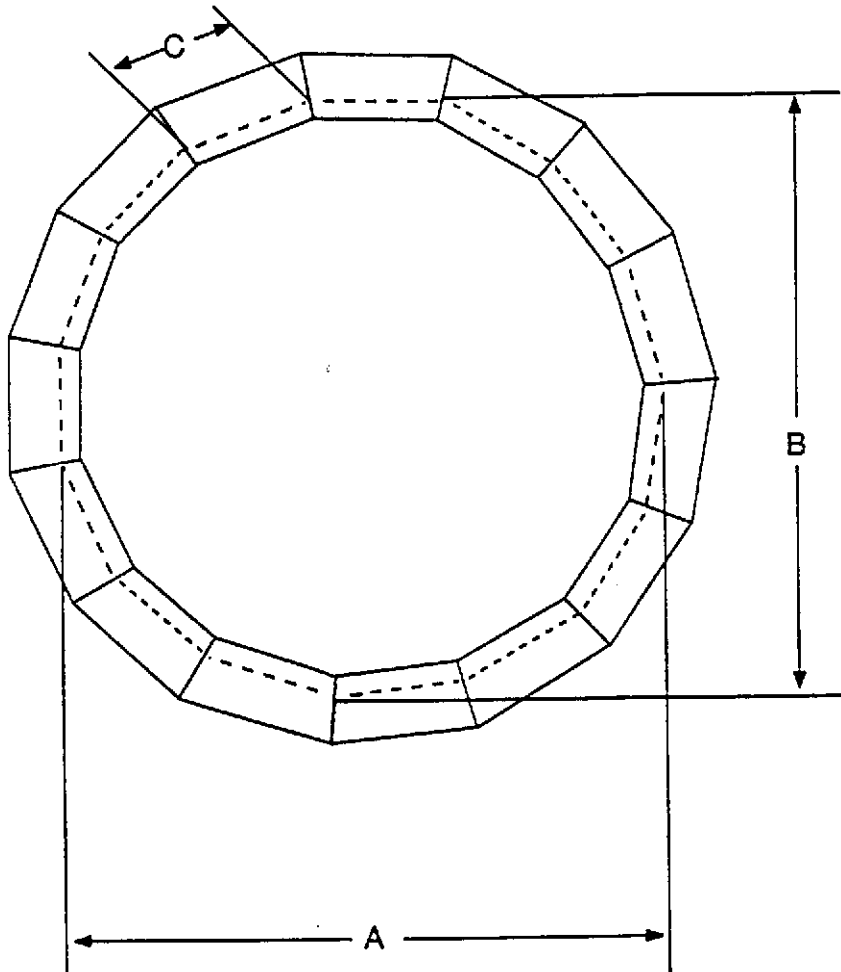


# 15 - Sided Circular Frame

Angle Setting: 78.0°

A & B - Overall picture area including rabbet

C - Length of cut



A	B	C
3.049	3.034	0.636
4.066	4.045	0.849
5.083	5.056	1.062
6.100	6.067	1.275
7.117	7.078	1.488
8.134	8.089	1.701
9.151	9.100	1.914
10.168	10.111	2.127
11.185	11.122	2.340
12.202	12.133	2.553
13.219	13.144	2.766
14.236	14.155	2.979
15.253	15.166	3.192
16.270	16.177	3.405
17.287	17.188	3.618
18.304	18.199	3.831
19.321	19.210	4.044
20.338	20.221	4.257
21.355	21.232	4.470
22.372	22.243	4.683
23.389	23.254	4.896
24.406	24.265	5.109
25.423	25.276	5.322
26.440	26.287	5.535
27.457	27.298	5.748
28.474	28.309	5.961
29.491	29.320	6.174
30.508	30.331	6.387
31.525	31.342	6.600
32.542	32.353	6.813
33.559	33.364	7.026
34.576	34.375	7.239
35.593	35.386	7.452
36.610	36.397	7.665
37.627	37.408	7.878
38.644	38.419	8.091
39.661	39.430	8.304
40.678	40.441	8.517
41.695	41.452	8.730
42.712	42.463	8.943
43.729	43.474	9.156
44.746	44.485	9.369
45.763	45.496	9.582
46.780	46.507	9.795
47.797	47.518	10.008
48.814	48.529	10.221

CONSTANT:

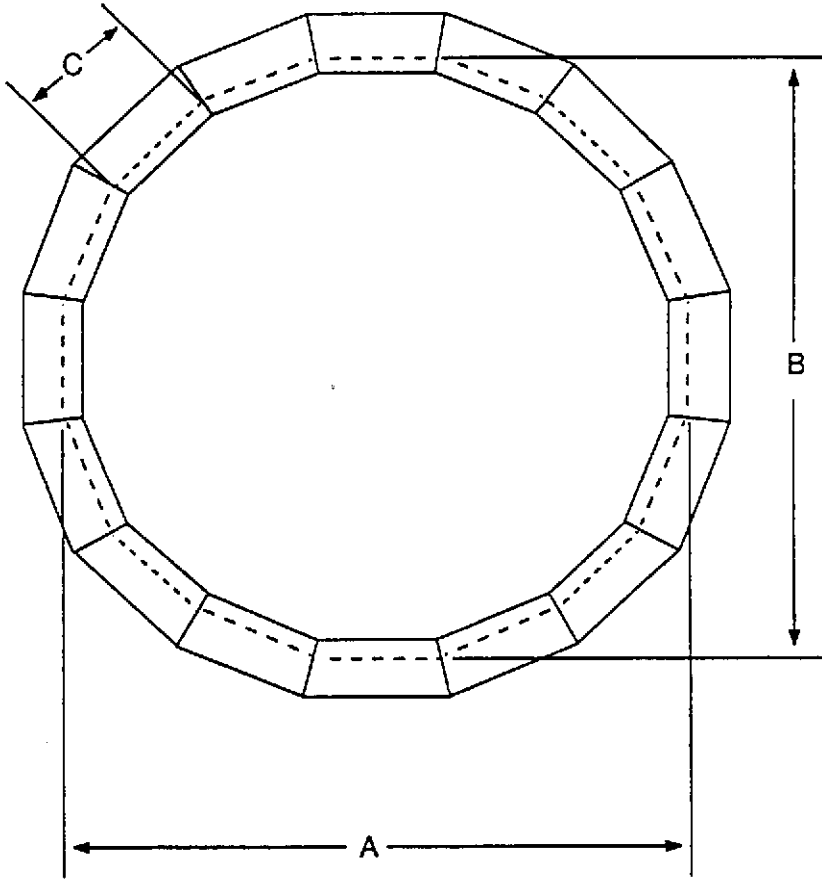
1.017	1.011	0.213
-------	-------	-------

# 16 - Sided Circular Frame

Angle Setting: 78.75°

A & B - Overall picture area including rabbet

C - Length of cut



A	B	C
3.000	3.000	0.596
4.000	4.000	0.795
5.000	5.000	0.994
6.000	6.000	1.193
7.000	7.000	1.392
8.000	8.000	1.591
9.000	9.000	1.790
10.000	10.000	1.989
11.000	11.000	2.188
12.000	12.000	2.387
13.000	13.000	2.586
14.000	14.000	2.785
15.000	15.000	2.984
16.000	16.000	3.183
17.000	17.000	3.382
18.000	18.000	3.581
19.000	19.000	3.780
20.000	20.000	3.979
21.000	21.000	4.178
22.000	22.000	4.377
23.000	23.000	4.576
24.000	24.000	4.775
25.000	25.000	4.974
26.000	26.000	5.173
27.000	27.000	5.372
28.000	28.000	5.571
29.000	29.000	5.770
30.000	30.000	5.969
31.000	31.000	6.168
32.000	32.000	6.367
33.000	33.000	6.566
34.000	34.000	6.765
35.000	35.000	6.964
36.000	36.000	7.163
37.000	37.000	7.362
38.000	38.000	7.561
39.000	39.000	7.760
40.000	40.000	7.959
41.000	41.000	8.158
42.000	42.000	8.357
43.000	43.000	8.556
44.000	44.000	8.755
45.000	45.000	8.954
46.000	46.000	9.153
47.000	47.000	9.352
48.000	48.000	9.551

CONSTANT:

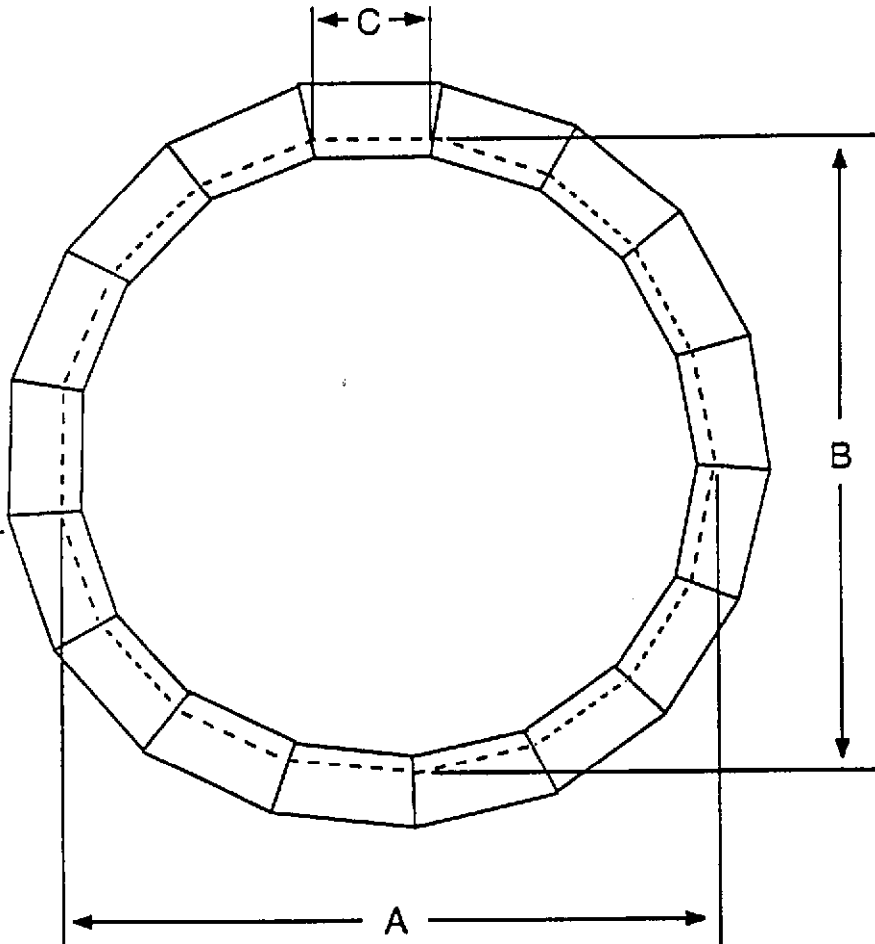
1.000	1.000	0.199
-------	-------	-------

# 17 - Sided Circular Frame

Angle Setting: 79.41°

A & B - Overall picture area including rabbet

C - Length of cut



A	B	C
3.025	3.015	0.561
4.034	4.028	0.748
5.043	5.041	0.935
6.052	6.054	1.122
7.061	7.067	1.309
8.070	8.080	1.496
9.079	9.093	1.683
10.088	10.106	1.870
11.097	11.119	2.057
12.106	12.132	2.244
13.115	13.145	2.431
14.124	14.158	2.618
15.133	15.171	2.805
16.142	16.184	2.992
17.151	17.197	3.179
18.160	18.210	3.366
19.169	19.223	3.553
20.178	20.236	3.740
21.187	21.249	3.927
22.196	22.262	4.114
23.205	23.275	4.301
24.214	24.288	4.488
25.223	25.301	4.675
26.232	26.314	4.862
27.241	27.327	5.049
28.250	28.340	5.236
29.259	29.353	5.423
30.268	30.366	5.610
31.277	31.379	5.797
32.286	32.392	5.984
33.295	33.405	6.171
34.304	34.418	6.358
35.313	35.431	6.545
36.322	36.444	6.732
37.331	37.457	6.919
38.340	38.470	7.106
39.349	39.483	7.293
40.358	40.496	7.480
41.367	41.509	7.667
42.376	42.522	7.854
43.385	43.535	8.041
44.394	44.548	8.228
45.403	45.561	8.415
46.412	46.574	8.602
47.421	47.587	8.789
48.430	48.600	8.976

CONSTANT:

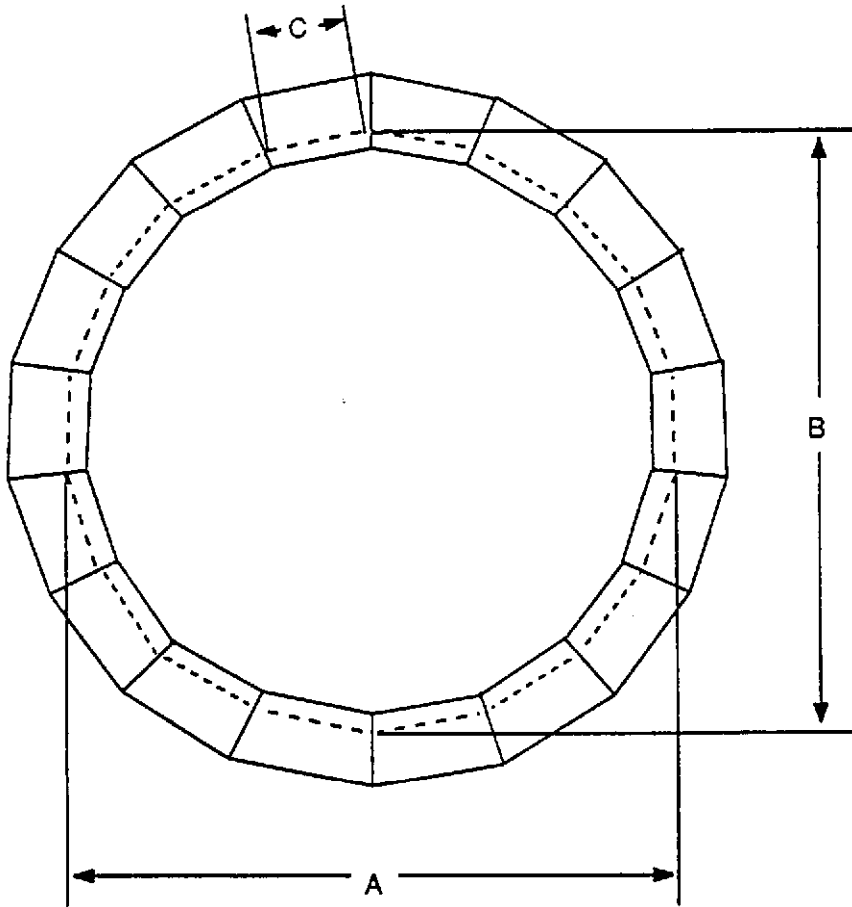
1.009	1.013	0.187
-------	-------	-------

# 18 - Sided Circular Frame

Angle Setting: 80°

A & B - Overall picture area including rabbet

C - Length of cut



A	B	C
3.046	3.000	0.529
4.061	4.000	0.705
5.076	5.000	0.881
6.091	6.000	1.057
7.106	7.000	1.233
8.121	8.000	1.409
9.136	9.000	1.585
10.151	10.000	1.761
11.166	11.000	1.937
12.181	12.000	2.113
13.196	13.000	2.289
14.211	14.000	2.465
15.226	15.000	2.641
16.241	16.000	2.817
17.256	17.000	2.993
18.271	18.000	3.169
19.286	19.000	3.345
20.301	20.000	3.521
21.316	21.000	3.697
22.331	22.000	3.873
23.346	23.000	4.049
24.361	24.000	4.225
25.376	25.000	4.401
26.391	26.000	4.577
27.406	27.000	4.753
28.421	28.000	4.929
29.436	29.000	5.105
30.451	30.000	5.281
31.466	31.000	5.457
32.481	32.000	5.633
33.496	33.000	5.809
34.511	34.000	5.985
35.526	35.000	6.161
36.541	36.000	6.337
37.556	37.000	6.513
38.571	38.000	6.689
39.586	39.000	6.865
40.601	40.000	7.041
41.616	41.000	7.217
42.631	42.000	7.393
43.646	43.000	7.569
44.661	44.000	7.745
45.676	45.000	7.921
46.691	46.000	8.097
47.706	47.000	8.273
48.721	48.000	8.449

CONSTANT:

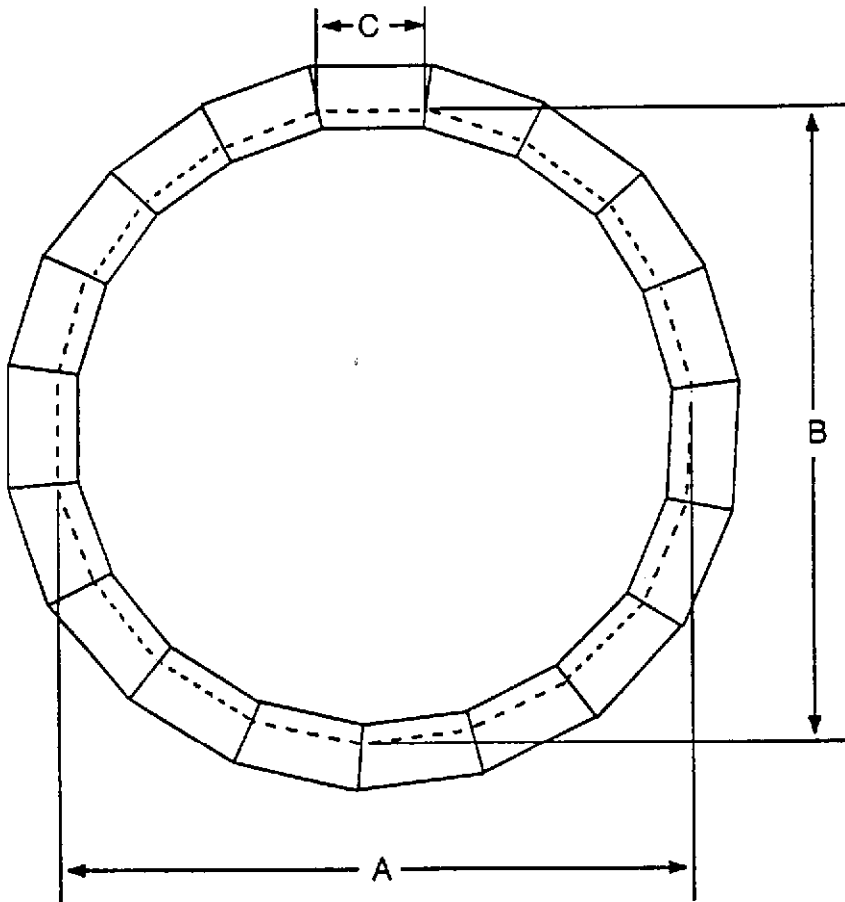
1.015	1.000	0.176
-------	-------	-------

# 19 - Sided Circular Frame

Angle Setting: 80.53°

A & B - Overall picture area including rabbet

C - Length of cut



A	B	C
3.031	3.021	0.500
4.041	4.028	0.667
5.051	5.035	0.834
6.061	6.042	1.001
7.071	7.049	1.168
8.081	8.056	1.335
9.091	9.063	1.502
10.101	10.070	1.669
11.111	11.077	1.836
12.121	12.084	2.003
13.131	13.091	2.170
14.141	14.098	2.337
15.151	15.105	2.504
16.161	16.112	2.671
17.171	17.119	2.838
18.181	18.126	3.005
19.191	19.133	3.172
20.201	20.140	3.339
21.211	21.147	3.506
22.221	22.154	3.673
23.231	23.161	3.840
24.241	24.168	4.007
25.251	25.175	4.174
26.261	26.182	4.341
27.271	27.189	4.508
28.281	28.196	4.675
29.291	29.203	4.842
30.301	30.210	5.009
31.311	31.217	5.176
32.321	32.224	5.343
33.331	33.231	5.510
34.341	34.238	5.677
35.351	35.245	5.844
36.361	36.252	6.011
37.371	37.259	6.178
38.381	38.266	6.345
39.391	39.273	6.512
40.401	40.280	6.679
41.411	41.287	6.846
42.421	42.294	7.013
43.431	43.301	7.180
44.441	44.308	7.347
45.451	45.315	7.514
46.461	46.322	7.681
47.471	47.329	7.848
48.481	48.336	8.015

CONSTANT:

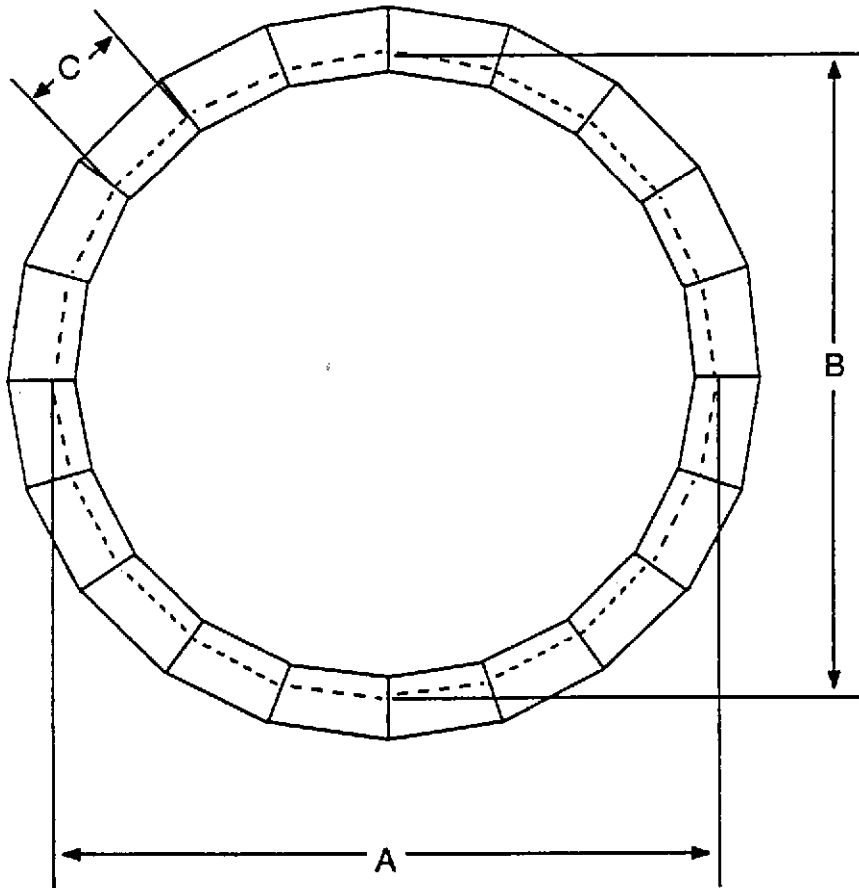
1.010	1.007	0.167
-------	-------	-------

# 20 - Sided Circular Frame

Angle Setting: 81.0°

A & B - Overall picture area including rabbet

C - Length of cut



A	B	C
3.000	3.000	0.475
4.000	4.000	0.633
5.000	5.000	0.791
6.000	6.000	0.949
7.000	7.000	1.107
8.000	8.000	1.265
9.000	9.000	1.423
10.000	10.000	1.581
11.000	11.000	1.739
12.000	12.000	1.897
13.000	13.000	2.055
14.000	14.000	2.213
15.000	15.000	2.371
16.000	16.000	2.529
17.000	17.000	2.687
18.000	18.000	2.845
19.000	19.000	3.003
20.000	20.000	3.161
21.000	21.000	3.319
22.000	22.000	3.477
23.000	23.000	3.635
24.000	24.000	3.793
25.000	25.000	3.951
26.000	26.000	4.109
27.000	27.000	4.267
28.000	28.000	4.425
29.000	29.000	4.583
30.000	30.000	4.741
31.000	31.000	4.899
32.000	32.000	5.057
33.000	33.000	5.215
34.000	34.000	5.373
35.000	35.000	5.531
36.000	36.000	5.689
37.000	37.000	5.847
38.000	38.000	6.005
39.000	39.000	6.163
40.000	40.000	6.321
41.000	41.000	6.479
42.000	42.000	6.637
43.000	43.000	6.795
44.000	44.000	6.953
45.000	45.000	7.111
46.000	46.000	7.269
47.000	47.000	7.427
48.000	48.000	7.585

CONSTANT:

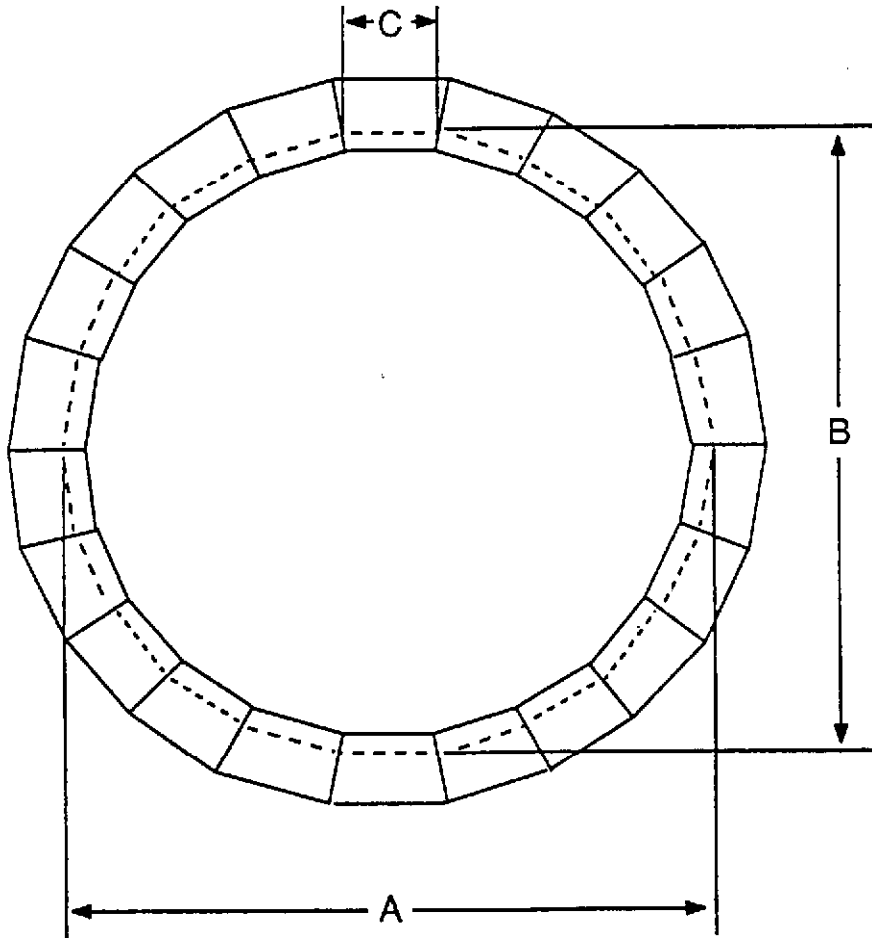
1.000	1.000	0.158
-------	-------	-------

## 22 - Sided Circular Frame

Angle Setting: 81.82°

A & B - Overall picture area including rabbet

C - Length of cut



A	B	C
3.032	3.000	0.431
4.042	4.000	0.575
5.052	5.000	0.719
6.062	6.000	0.863
7.072	7.000	1.007
8.082	8.000	1.151
9.092	9.000	1.295
10.102	10.000	1.439
11.112	11.000	1.583
12.122	12.000	1.727
13.132	13.000	1.871
14.142	14.000	2.015
15.152	15.000	2.159
16.162	16.000	2.303
17.172	17.000	2.447
18.182	18.000	2.591
19.192	19.000	2.735
20.202	20.000	2.879
21.212	21.000	3.023
22.222	22.000	3.167
23.232	23.000	3.311
24.242	24.000	3.455
25.252	25.000	3.599
26.262	26.000	3.743
27.272	27.000	3.887
28.282	28.000	4.031
29.292	29.000	4.175
30.302	30.000	4.319
31.312	31.000	4.463
32.322	32.000	4.607
33.332	33.000	4.751
34.342	34.000	4.895
35.352	35.000	5.039
36.362	36.000	5.183
37.372	37.000	5.327
38.382	38.000	5.471
39.392	39.000	5.615
40.402	40.000	5.759
41.412	41.000	5.903
42.422	42.000	6.047
43.432	43.000	6.191
44.442	44.000	6.335
45.452	45.000	6.479
46.462	46.000	6.623
47.472	47.000	6.767
48.482	48.000	6.911

CONSTANT:

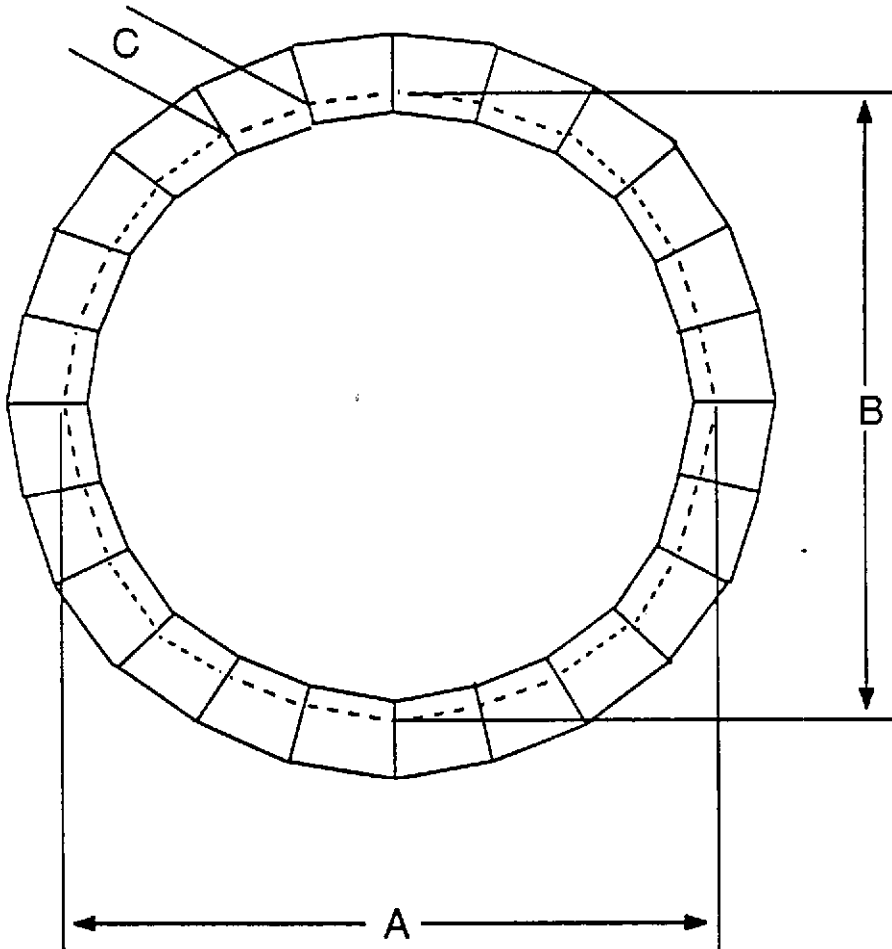
1.010	1.000	0.144
-------	-------	-------

# 24 - Sided Circular Frame

Angle Setting: 82.5°

A & B - Overall picture area including rabbet

C - Length of cut



A	B	C
3.000	3.000	0.395
4.000	4.000	0.527
5.000	5.000	0.659
6.000	6.000	0.791
7.000	7.000	0.923
8.000	8.000	1.055
9.000	9.000	1.187
10.000	10.000	1.319
11.000	11.000	1.451
12.000	12.000	1.583
13.000	13.000	1.715
14.000	14.000	1.847
15.000	15.000	1.979
16.000	16.000	2.111
17.000	17.000	2.243
18.000	18.000	2.375
19.000	19.000	2.507
20.000	20.000	2.639
21.000	21.000	2.771
22.000	22.000	2.903
23.000	23.000	3.035
24.000	24.000	3.167
25.000	25.000	3.299
26.000	26.000	3.431
27.000	27.000	3.563
28.000	28.000	3.695
29.000	29.000	3.827
30.000	30.000	3.959
31.000	31.000	4.091
32.000	32.000	4.223
33.000	33.000	4.355
34.000	34.000	4.487
35.000	35.000	4.619
36.000	36.000	4.751
37.000	37.000	4.883
38.000	38.000	5.015
39.000	39.000	5.147
40.000	40.000	5.279
41.000	41.000	5.411
42.000	42.000	5.543
43.000	43.000	5.675
44.000	44.000	5.807
45.000	45.000	5.939
46.000	46.000	6.071
47.000	47.000	6.203
48.000	48.000	6.335

CONSTANT:

1.000	1.000	0.132
-------	-------	-------

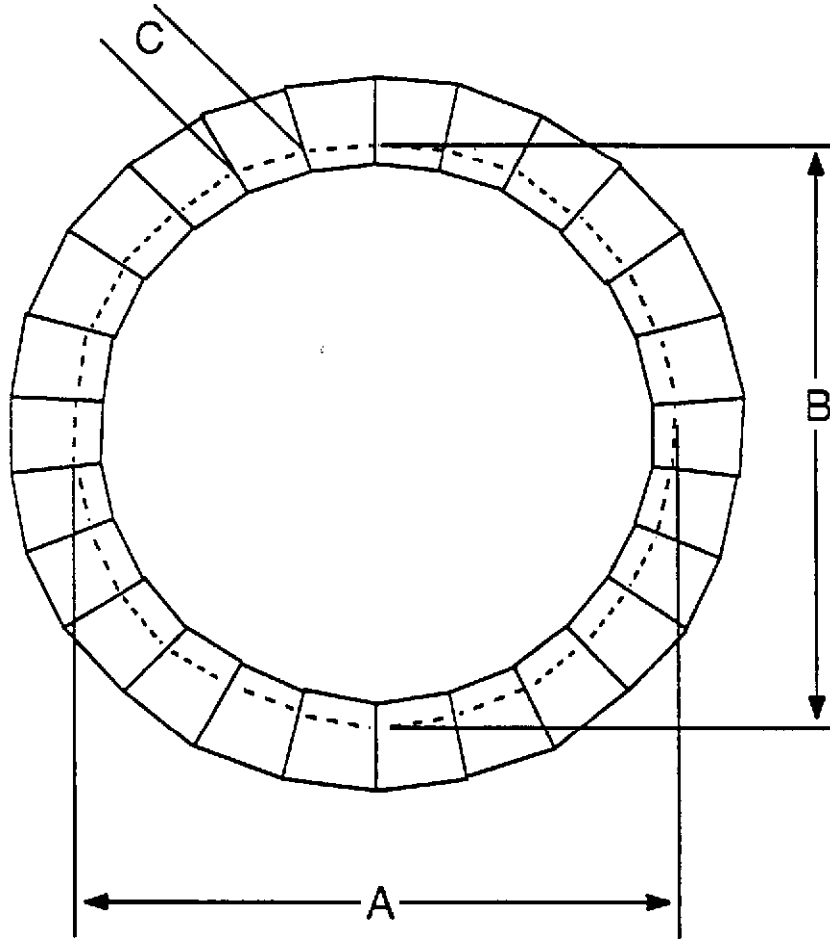


## 26 - Sided Circular Frame

Angle Setting: 83.08°

A & B - Overall picture area including rabbet

C - Length of cut



A	B	C
3.000	3.022	0.364
4.000	4.029	0.485
5.000	5.037	0.607
6.000	6.044	0.728
7.000	7.051	0.849
8.000	8.059	0.971
9.000	9.066	1.092
10.000	10.073	1.213
11.000	11.081	1.335
12.000	12.088	1.456
13.000	13.095	1.578
14.000	14.103	1.699
15.000	15.110	1.820
16.000	16.117	1.942
17.000	17.125	2.063
18.000	18.132	2.184
19.000	19.139	2.306
20.000	20.147	2.427
21.000	21.154	2.548
22.000	22.161	2.670
23.000	23.169	2.791
24.000	24.176	2.912
25.000	25.183	3.034
26.000	26.191	3.155
27.000	27.198	3.277
28.000	28.205	3.398
29.000	29.213	3.519
30.000	30.220	3.641
31.000	31.227	3.762
32.000	32.235	3.883
33.000	33.242	4.005
34.000	34.249	4.126
35.000	35.257	4.247
36.000	36.264	4.369
37.000	37.271	4.490
38.000	38.279	4.611
39.000	39.286	4.733
40.000	40.293	4.854
41.000	41.301	4.976
42.000	42.308	5.097
43.000	43.315	5.218
44.000	44.323	5.340
45.000	45.330	5.461
46.000	46.337	5.582
47.000	47.345	5.704
48.000	48.352	5.825

CONSTANT:

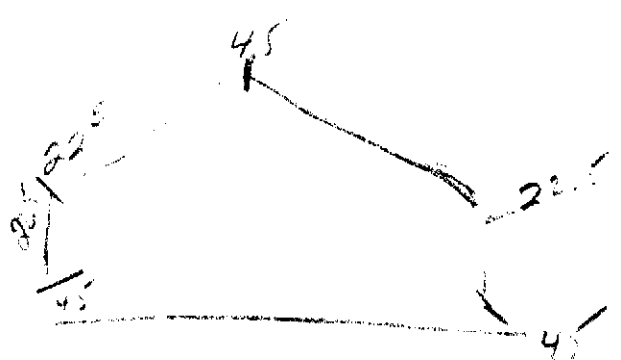
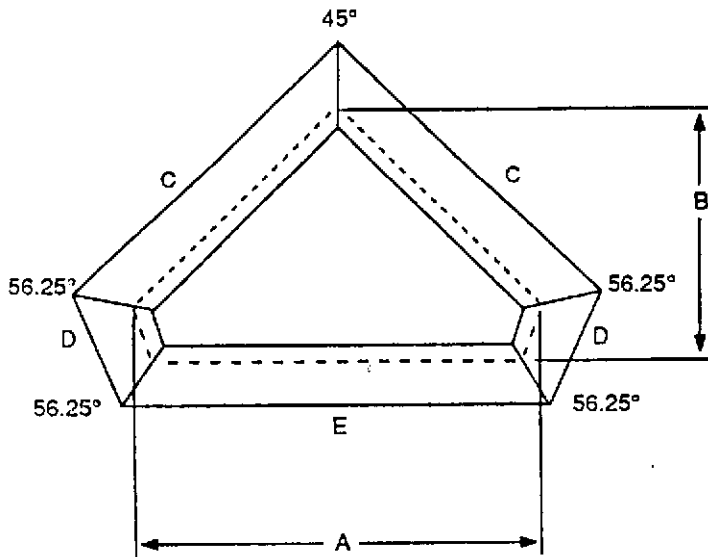
1.000	1.007	0.121
-------	-------	-------

# Folded Flag

Angle Settings: 45.0° & 56.25°

A & B - Overall picture area including rabbet

C, D & E - Length of cut



A	B	C	D	E
4.000	2.500	3.036	0.393	3.705
5.015	3.090	3.536	0.491	4.645
6.030	3.680	4.243	0.589	5.585
7.045	4.270	4.950	0.687	6.525
8.060	4.860	5.657	0.785	7.465
9.075	5.450	6.364	0.883	8.405
10.090	6.040	7.071	0.981	9.345
11.105	6.630	7.778	1.079	10.285
12.120	7.220	8.485	1.177	11.225
13.135	7.810	9.192	1.275	12.165
14.150	8.400	9.899	1.373	13.105
15.165	8.990	10.606	1.471	14.045
16.180	9.580	11.313	1.569	14.985
17.195	10.170	12.020	1.667	15.925
18.210	10.760	12.727	1.765	16.865
19.225	11.350	13.434	1.863	17.805
20.240	11.940	14.141	1.961	18.745
21.255	12.530	14.848	2.059	19.685
22.270	13.120	15.555	2.157	20.625
23.285	13.710	16.262	2.255	21.565
24.300	14.300	16.969	2.353	22.505
25.315	14.890	17.676	2.451	23.445
26.330	15.480	18.383	2.549	24.385
27.345	16.070	19.090	2.647	25.325
28.360	16.660	19.797	2.745	26.265
29.375	17.250	20.504	2.843	27.205
30.390	17.840	21.211	2.941	28.145
31.405	18.430	21.918	3.039	29.085
32.420	19.020	22.625	3.137	30.025
33.435	19.610	23.332	3.235	30.965
34.450	20.200	24.039	3.333	31.905
35.465	20.790	24.746	3.431	32.845
36.480	21.380	25.453	3.529	33.785
37.495	21.970	26.160	3.627	34.725
38.510	22.560	26.867	3.725	35.665
39.525	23.150	27.574	3.823	36.605
40.540	23.740	28.281	3.921	37.545
41.555	24.330	28.988	4.019	38.485
42.570	24.920	29.695	4.117	39.425
43.585	25.510	30.402	4.215	40.365
44.600	26.100	31.109	4.313	41.305
45.615	26.690	31.816	4.411	42.245
46.630	27.280	32.523	4.509	43.185
47.645	27.870	33.230	4.607	44.125
48.660	28.460	33.937	4.705	45.065

CONSTANT:

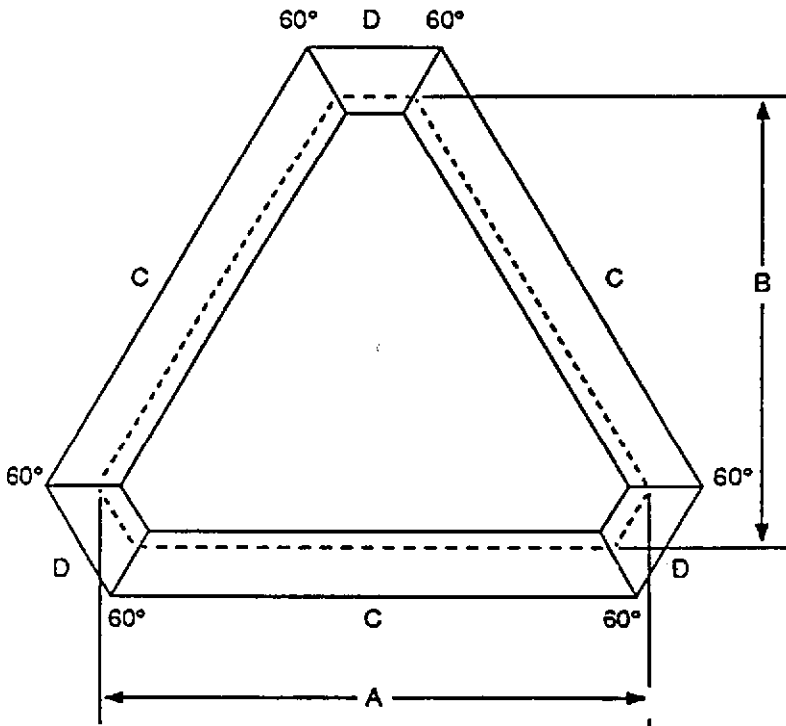
1.015	0.590	0.707	0.098	0.940
-------	-------	-------	-------	-------

# Rack

Angle Setting: 60°

A & B - Overall picture area including rabbet

C & D - Length of cut



A	B	C	D
5.125	4.375	4.640	0.500
6.264	5.375	5.209	1.069
7.403	6.375	5.778	1.638
8.542	7.375	6.347	2.207
9.681	8.375	6.916	2.776
10.820	9.375	7.485	3.345
11.959	10.375	8.054	3.914
13.098	11.375	8.623	4.483
14.237	12.375	9.192	5.052
15.376	13.375	9.761	5.621
16.515	14.375	10.330	6.190
17.654	15.375	10.899	6.759
18.793	16.375	11.468	7.328
19.932	17.375	12.037	7.897
21.071	18.375	12.606	8.466
22.210	19.375	13.175	9.035
23.349	20.375	13.744	9.604
24.488	21.375	14.313	10.173
25.627	22.375	14.882	10.742
26.766	23.375	15.451	11.311
27.905	24.375	16.020	11.880
29.044	25.375	16.589	12.449
30.183	26.375	17.158	13.018
31.322	27.375	17.727	13.587
32.461	28.375	18.296	14.156
33.600	29.375	18.865	14.725
34.739	30.375	19.434	15.294
35.878	31.375	20.003	15.863
37.017	32.375	20.572	16.432
38.156	33.375	21.141	17.001
39.295	34.375	21.710	17.570
40.434	35.375	22.279	18.139
41.573	36.375	22.848	18.708
42.712	37.375	23.417	19.277
43.851	38.375	23.986	19.846
44.990	39.375	24.555	20.415
46.129	40.375	25.124	20.984
47.268	41.375	25.693	21.553
48.407	42.375	26.262	22.122
49.546	43.375	26.831	22.691
50.685	44.375	27.400	23.260
51.824	45.375	27.969	23.829
52.963	46.375	28.538	24.398
54.102	47.375	29.107	24.967

CONSTANT:

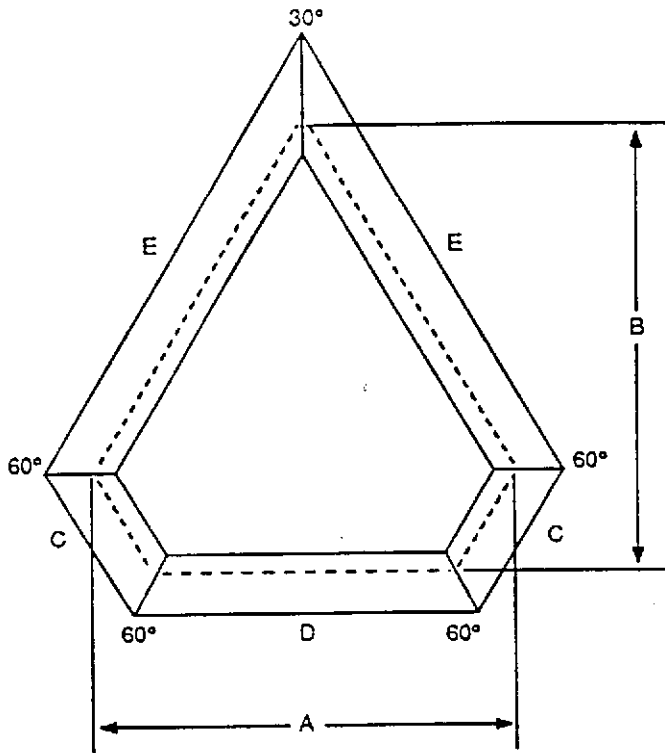
1.139	1.000	0.569	0.569
-------	-------	-------	-------

# Christmas Tree 1

Angle Settings: 30.0° & 60.0°

A & B - Overall picture area including rabbet

C, D & E - Length of cut



	A	B	C	D	E
	3.000	3.527	1.042	1.958	3.000
	4.000	4.702	1.389	2.611	4.000
	5.000	5.878	1.736	3.264	5.000
	6.000	7.053	2.083	3.917	6.000
	7.000	8.229	2.430	4.570	7.000
	8.000	9.405	2.777	5.223	8.000
	9.000	10.580	3.124	5.876	9.000
	10.000	11.756	3.471	6.529	10.000
	11.000	12.931	3.818	7.182	11.000
	12.000	14.107	4.165	7.835	12.000
	13.000	15.282	4.512	8.488	13.000
	14.000	16.458	4.859	9.141	14.000
	15.000	17.634	5.206	9.794	15.000
	16.000	18.809	5.553	10.447	16.000
	17.000	19.985	5.900	11.100	17.000
	18.000	21.160	6.247	11.753	18.000
	19.000	22.336	6.594	12.406	19.000
	20.000	23.511	6.941	13.059	20.000
	21.000	24.687	7.228	13.712	21.000
	22.000	25.862	7.635	14.365	22.000
	23.000	27.038	7.982	15.018	23.000
	24.000	28.214	8.329	15.671	24.000
	25.000	29.389	8.676	16.324	25.000
	26.000	30.565	9.023	16.977	26.000
	27.000	31.740	9.370	17.630	27.000
	28.000	32.916	9.717	18.283	28.000
	29.000	34.091	10.064	18.936	29.000
	30.000	35.267	10.411	19.589	30.000
	31.000	36.443	10.758	20.242	31.000
	32.000	37.618	11.105	20.242	32.000
	33.000	38.794	11.452	21.548	33.000
	34.000	39.969	11.799	22.201	34.000
	35.000	41.145	12.146	22.854	35.000
	36.000	42.320	12.493	23.507	36.000
	37.000	43.496	12.840	24.160	37.000
	38.000	44.672	13.187	24.813	38.000
	39.000	45.847	13.534	25.466	39.000
	40.000	47.023	13.881	26.119	40.000
	41.000	48.198	14.228	26.772	41.000
	42.000	49.374	14.575	27.425	42.000
	43.000	50.549	14.922	28.078	43.000
	44.000	51.725	15.269	28.731	44.000
	45.000	52.901	15.616	29.384	45.000
	46.000	54.076	15.963	30.037	46.000
	47.000	55.252	16.310	30.690	47.000
	48.000	56.427	16.657	31.343	48.000

CONSTANT:

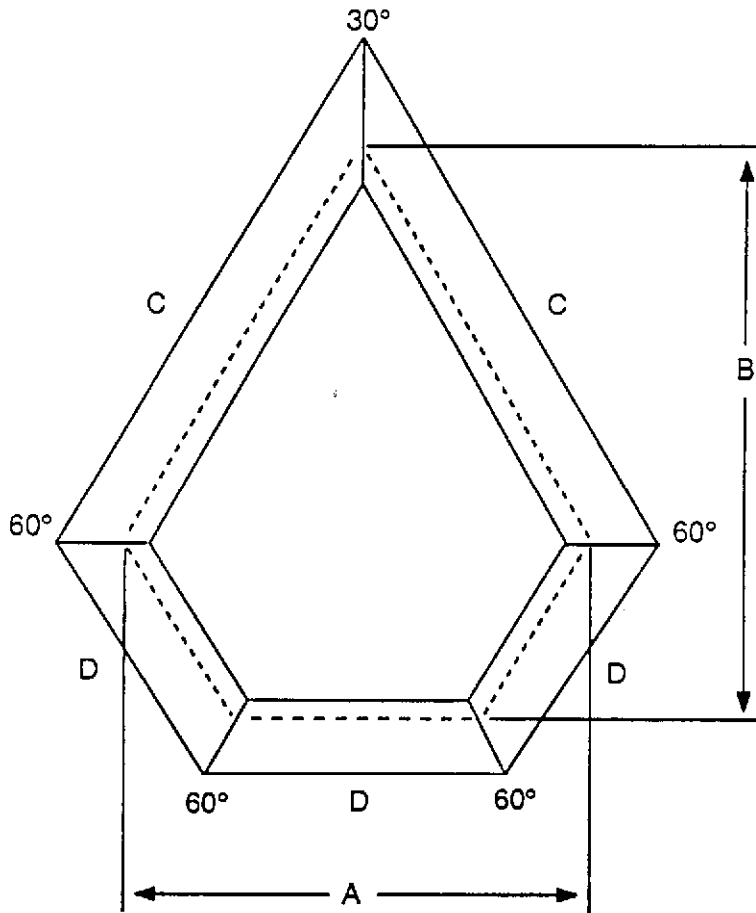
1.000	1.175	0.347	0.653	1.000
-------	-------	-------	-------	-------

## Christmas Tree 2

Angle Settings: 30.0° & 60.0°

A & B - overall picture area including rabbet

C & D - Length of cut



A	B	C	D
4.000	5.196	4.000	2.000
5.000	6.495	5.000	2.500
6.000	7.794	6.000	3.000
7.000	9.093	7.000	3.500
8.000	10.392	8.000	4.000
9.000	11.691	9.000	4.500
10.000	12.990	10.000	5.000
11.000	14.289	11.000	5.500
12.000	15.588	12.000	6.000
13.000	16.887	13.000	6.500
14.000	18.187	14.000	7.000
15.000	19.486	15.000	7.500
16.000	20.785	16.000	8.000
17.000	22.084	17.000	8.500
18.000	23.383	18.000	9.000
19.000	24.682	19.000	9.500
20.000	25.981	20.000	10.000
21.000	27.280	21.000	10.500
22.000	28.579	22.000	11.000
23.000	29.878	23.000	11.500
24.000	31.177	24.000	12.000
25.000	32.476	25.000	12.500
26.000	33.775	26.000	13.000
27.000	35.074	27.000	13.500
28.000	36.373	28.000	14.000
29.000	37.672	29.000	14.500
30.000	38.971	30.000	15.000
31.000	40.270	31.000	15.500
32.000	41.569	32.000	16.000
33.000	42.868	33.000	16.500
34.000	44.167	34.000	17.000
35.000	45.466	35.000	17.500
36.000	46.765	36.000	18.000
37.000	48.064	37.000	18.500
38.000	49.363	38.000	19.000
39.000	50.662	39.000	19.500
40.000	51.962	40.000	20.000
41.000	53.261	41.000	20.500
42.000	54.560	42.000	21.000
43.000	55.859	43.000	21.500
44.000	57.158	44.000	22.000
45.000	58.457	45.000	22.500
46.000	59.756	46.000	23.000
47.000	61.055	47.000	23.500
48.000	62.354	48.000	24.000
49.000	63.653	49.000	24.500

CONSTANT:

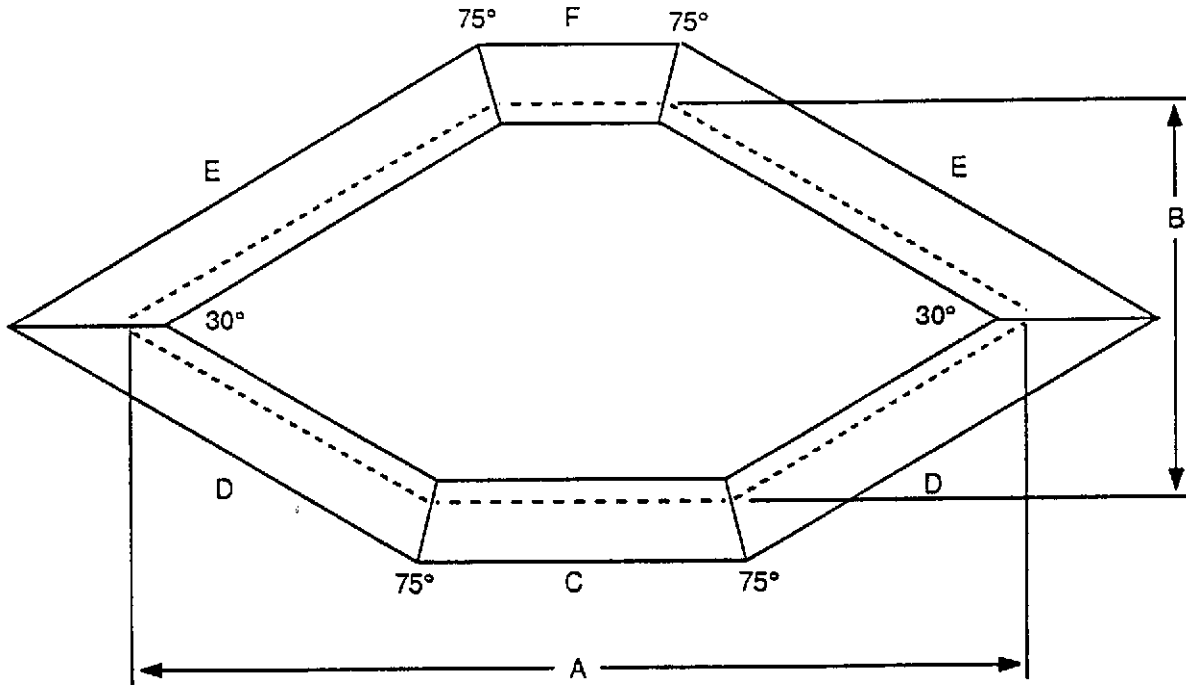
1.000 1.299 1.000 0.500

# Flying Saucer

Angle Settings: 30.0° & 75.0°

A & B - Overall picture area including rabbet

C, D, E & F - Length of cut



A	B	C	D	E	F
7.625	3.375	2.050	3.125	3.625	1.250
9.680	4.375	2.390	4.125	4.625	1.562
11.735	5.375	2.730	5.125	5.625	1.874
13.790	6.375	3.070	6.125	6.625	2.186
15.845	7.375	3.410	7.125	7.625	2.498
17.900	8.375	3.750	8.125	8.625	2.810
19.955	9.375	4.090	9.125	9.625	3.122
22.010	10.375	4.430	10.125	10.625	3.434
24.065	11.375	4.770	11.125	11.625	3.746
26.120	12.375	5.110	12.125	12.625	4.058
28.175	13.375	5.450	13.125	13.625	4.370
30.230	14.375	5.790	14.125	14.625	4.682
32.285	15.375	6.130	15.125	15.625	4.994
34.340	16.375	6.470	16.125	16.625	5.306
36.395	17.375	6.810	17.125	17.625	5.618
38.450	18.375	7.150	18.125	18.625	5.930
40.505	19.375	7.490	19.125	19.625	6.242
42.560	20.375	7.830	20.125	20.625	6.554
44.615	21.375	8.170	21.125	21.625	6.866
46.670	22.375	8.510	22.125	22.625	7.178
48.725	23.375	8.850	23.125	23.625	7.490
50.780	24.375	9.190	24.125	24.625	7.802
52.835	25.375	9.530	25.125	25.625	8.114

CONSTANT:

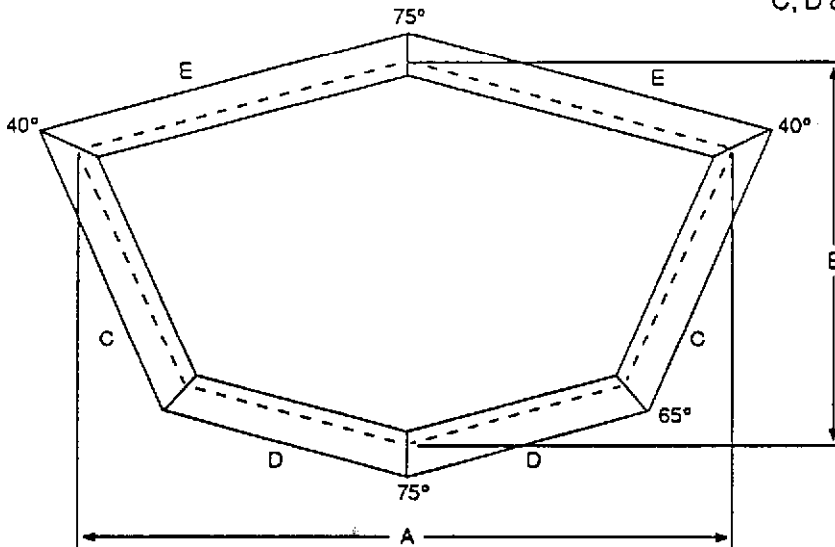
2.055	1.000	0.340	1.000	1.000	0.312
-------	-------	-------	-------	-------	-------

## 6 Sided Crest

Angle Settings: 40.0°, 65.0° & 75.0°

A & B - Overall picture area including rabbet

C, D & E - Length of cut



A	B	C	D	E
5.688	3.014	2.937	2.125	1.875
7.078	4.046	3.672	2.500	2.687
8.468	5.078	4.407	2.875	3.499
9.858	6.110	5.142	3.250	4.311
11.248	7.142	5.877	3.625	5.123
12.638	8.174	6.612	4.000	5.935
14.028	9.206	7.347	4.375	6.747
15.418	10.238	8.082	4.750	7.559
16.808	11.270	8.817	5.125	8.371
18.198	12.302	9.552	5.500	9.183
19.588	13.334	10.287	5.875	9.995
20.978	14.366	11.022	6.250	10.807
22.368	15.398	11.757	6.625	11.619
23.758	16.430	12.492	7.000	12.431
25.148	17.462	13.227	7.375	13.243
26.538	18.494	13.962	7.750	14.055
27.928	19.526	14.697	8.125	14.867
29.318	20.558	15.432	8.500	15.679
30.708	21.590	16.167	8.875	16.491
32.098	22.622	16.902	9.250	17.303
33.488	23.654	17.637	9.625	18.115
34.878	24.686	18.372	10.000	18.927
36.268	25.718	19.107	10.375	19.739
37.658	26.750	19.842	10.750	20.551
39.048	27.782	20.577	11.125	21.363
40.438	28.814	21.312	11.500	22.175
41.828	29.846	22.047	11.875	22.987
43.218	30.878	22.782	12.250	23.799
44.608	31.910	23.517	12.625	24.611
45.998	32.942	24.252	13.000	25.423
47.388	33.974	24.987	13.375	26.235
48.778	35.006	25.722	13.750	27.047

CONSTANT:

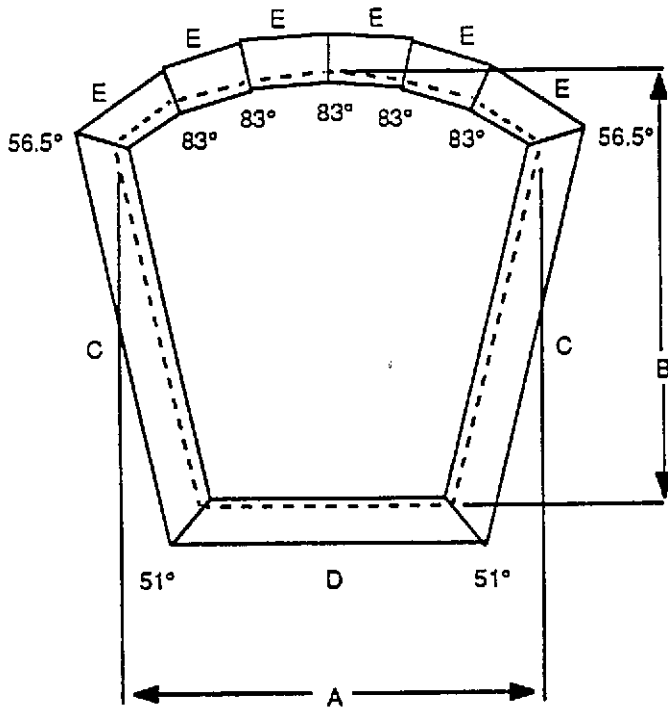
1.390	1.032	0.735	0.375	0.812
-------	-------	-------	-------	-------

# 9 Sided Crest

Angle Settings: 51°, 56.5° & 83°

A & B - Overall picture area including rabbet

C, D & E - Length of cut



A	B	C	D	E
4.500	5.500	4.750	2.562	0.828
5.500	6.500	5.575	3.212	1.009
6.500	7.500	6.400	3.862	1.190
7.500	8.500	7.225	4.512	1.371
8.500	9.500	8.050	5.162	1.552
9.500	10.500	8.875	5.812	1.733
10.500	11.500	9.700	6.462	1.914
11.500	12.500	10.525	7.112	2.095
12.500	13.500	11.350	7.762	2.276
13.500	14.500	12.175	8.412	2.457
14.500	15.500	13.000	9.062	2.638
15.500	16.500	13.825	9.712	2.819
16.500	17.500	14.650	10.362	3.000
17.500	18.500	15.475	11.012	3.181
18.500	19.500	16.300	11.662	3.362
19.500	20.500	17.125	12.312	3.543
20.500	21.500	17.950	12.962	3.724
21.500	22.500	18.775	13.612	3.905
22.500	23.500	19.600	14.262	4.085
23.500	24.500	20.425	14.912	4.267
24.500	25.500	21.250	15.562	4.448
25.500	26.500	22.075	16.212	4.629
26.500	27.500	22.900	16.862	4.810
27.500	28.500	23.725	17.512	4.991
28.500	29.500	24.550	18.162	5.172
29.500	30.500	25.375	18.812	5.353
30.500	31.500	26.200	19.462	5.534
31.500	32.500	27.025	20.112	5.715
32.500	33.500	27.850	20.762	5.896
33.500	34.500	28.675	21.412	6.077
34.500	35.500	29.500	22.062	6.258
35.500	36.500	30.325	22.712	6.439
36.500	37.500	31.150	23.362	6.620
37.500	38.500	31.975	24.012	6.801
38.500	39.500	32.800	24.662	6.982
39.500	40.500	33.625	25.312	7.163
40.500	41.500	34.450	25.962	7.344
41.500	42.500	35.275	26.612	7.525
42.500	43.500	36.100	27.262	7.706
43.500	44.500	36.925	27.912	7.887
44.500	45.500	37.750	28.562	8.068
45.500	46.500	38.575	29.212	8.249
46.500	47.500	39.400	29.862	8.430
47.500	48.500	40.225	30.512	8.611

CONSTANT:

1.000	1.000	.825	.650	.181
-------	-------	------	------	------

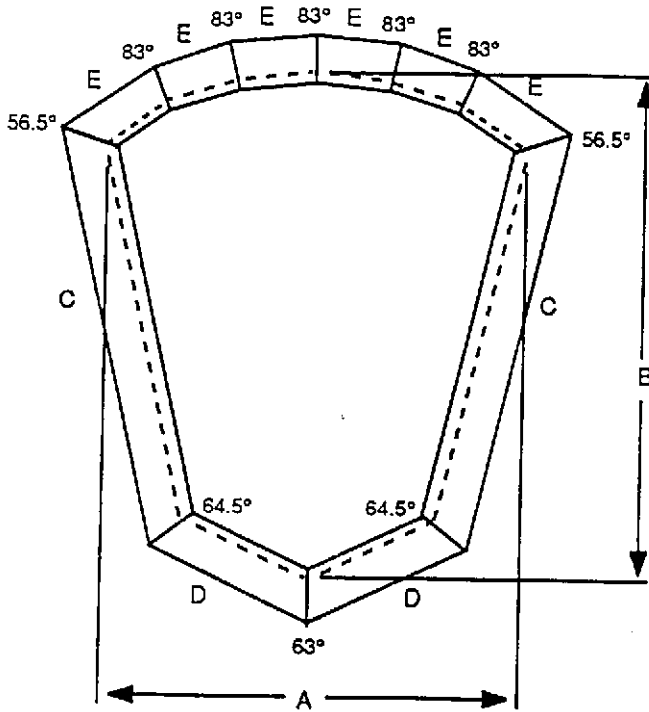


# 10 Sided Crest

Angle Settings: 56.5°, 63°, 64.5° & 83°

A & B - Overall picture area including rabbet

C, D & E - Length of cut



A	B	C	D	E
4.500	5.500	4.750	1.437	0.828
5.500	6.500	5.575	1.800	1.009
6.500	7.500	6.400	2.163	1.190
7.500	8.500	7.225	2.526	1.371
8.500	9.500	8.050	2.889	1.552
9.500	10.500	8.875	3.252	1.733
10.500	11.500	9.700	3.615	1.914
11.500	12.500	10.525	3.978	2.095
12.500	13.500	11.350	4.341	2.276
13.500	14.500	12.175	4.704	2.457
14.500	15.500	13.000	5.067	2.638
15.500	16.500	13.825	5.430	2.819
16.500	17.500	14.650	5.793	3.000
17.500	18.500	15.475	6.156	3.181
18.500	19.500	16.300	6.519	3.362
19.500	20.500	17.125	6.882	3.543
20.500	21.500	17.950	7.245	3.724
21.500	22.500	18.775	7.608	3.905
22.500	23.500	19.600	7.971	4.085
23.500	24.500	20.425	8.334	4.267
24.500	25.500	21.250	8.697	4.448
25.500	26.500	22.075	9.060	4.629
26.500	27.500	22.900	9.423	4.810
27.500	28.500	23.725	9.786	4.991
28.500	29.500	24.550	10.149	5.172
29.500	30.500	25.375	10.512	5.353
30.500	31.500	26.200	10.875	5.534
31.500	32.500	27.025	11.238	5.715
32.500	33.500	27.850	11.601	5.896
33.500	34.500	28.675	11.964	6.077
34.500	35.500	29.500	12.327	6.258
35.500	36.500	30.325	12.690	6.439
36.500	37.500	31.150	13.053	6.620
37.500	38.500	31.975	13.416	6.801
38.500	39.500	32.800	13.779	6.982
39.500	40.500	33.625	14.142	7.163
40.500	41.500	34.450	14.505	7.344
41.500	42.500	35.275	14.868	7.525
42.500	43.500	36.100	15.231	7.706
43.500	44.500	36.925	15.594	7.887
44.500	45.500	37.750	15.957	8.068
45.500	46.500	38.575	16.320	8.249
46.500	47.500	39.400	16.683	8.430
47.500	48.500	40.225	17.046	8.611

CONSTANT:

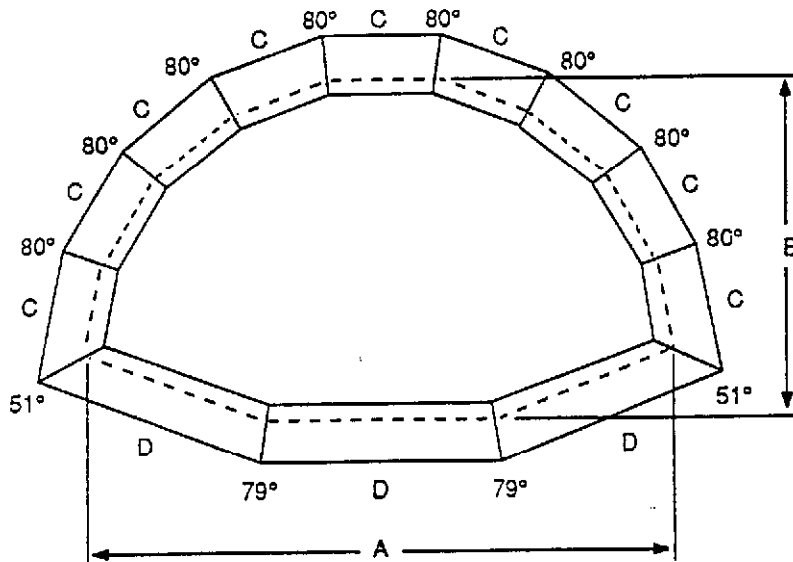
1.000	1.000	.825	.363	.181
-------	-------	------	------	------

# Shell Frame

Angle Settings: 51.0°, 79.0° & 80.0°

A & B - Overall picture area including rabbet

C & D - Length of cut



A	B	C	D
5.000	3.124	0.890	1.800
6.128	3.833	1.081	2.193
7.256	4.542	1.272	2.586
8.384	5.251	1.463	2.979
9.512	5.960	1.654	3.372
10.640	6.669	1.845	3.765
11.768	7.378	2.036	4.158
12.896	8.087	2.227	4.551
14.024	8.796	2.418	4.944
15.152	9.505	2.609	5.337
16.280	10.214	2.800	5.730
17.408	10.923	2.991	6.123
18.536	11.632	3.182	6.516
19.664	12.341	3.373	6.909
20.792	13.050	3.564	7.302
21.920	13.759	3.755	7.695
23.048	14.468	3.946	8.088
24.176	15.177	4.137	8.481
25.304	15.886	4.328	8.874
26.432	16.595	4.519	9.267
27.560	17.304	4.710	9.660
28.688	18.013	4.901	10.053
29.816	18.722	5.092	10.446
30.944	19.431	5.283	10.839
32.072	20.140	5.474	11.232
33.200	20.849	5.665	11.625
34.328	21.558	5.856	12.018
35.456	22.267	6.047	12.411
36.584	22.976	6.238	12.804
37.712	23.685	6.429	13.197
38.840	24.394	6.620	13.590
39.968	25.103	6.811	13.983
41.096	25.812	7.002	14.376
42.224	26.521	7.193	14.769
43.352	27.230	7.384	15.162
44.480	27.939	7.575	15.555
45.608	28.648	7.766	15.948
46.736	29.357	7.957	16.341
47.864	30.066	8.148	16.734

CONSTANT:

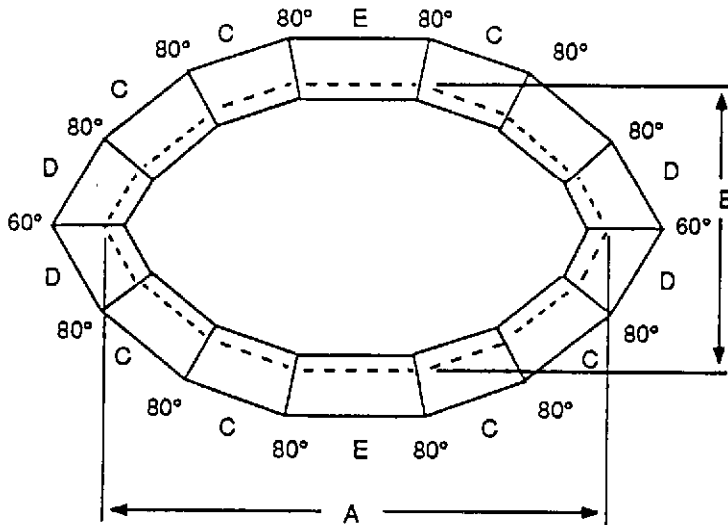
1.128	0.709	0.191	0.393
-------	-------	-------	-------

# Football

Angle Settings: 60.0° & 80.0°

A & B - Overall picture area including rabbet

C, D & E - Length of cut



	A	B	C	D	E
	5.000	2.777	0.831	0.485	1.295
	5.908	3.256	0.997	0.582	1.554
	6.816	3.735	1.163	0.679	1.813
	7.724	4.214	1.329	0.776	2.072
	8.632	4.693	1.495	0.873	2.331
	9.540	5.172	1.661	0.970	2.590
	10.448	5.651	1.827	1.067	2.849
	11.356	6.130	1.993	1.164	3.108
	12.264	6.609	2.159	1.261	3.367
	13.172	7.088	2.325	1.358	3.626
	14.080	7.567	2.491	1.455	3.885
	14.988	8.046	2.657	1.552	4.144
	15.896	8.525	2.823	1.649	4.403
	16.804	9.004	2.989	1.746	4.662
	17.712	9.483	3.155	1.843	4.921
	18.620	9.962	3.321	1.940	5.180
	19.528	10.441	3.487	2.037	5.439
	20.436	10.920	3.653	2.134	5.698
	21.344	11.399	3.819	2.231	5.957
	22.252	11.878	3.985	2.328	6.216
	23.160	12.357	4.151	2.425	6.475
	24.068	12.836	4.317	2.522	6.734
	24.976	13.315	4.483	2.619	6.993
	25.884	13.794	4.649	2.716	7.252
	26.792	14.273	4.815	2.813	7.511
	27.700	14.752	4.981	2.910	7.770
	28.608	15.231	5.147	3.007	8.029
	29.516	15.710	5.313	3.104	8.288
	30.424	16.189	5.479	3.201	8.547
	31.332	16.668	5.645	3.298	8.806
	32.240	17.147	5.811	3.395	9.065
	33.148	17.626	5.977	3.492	9.324
	34.056	18.105	6.143	3.589	9.583
	34.964	18.584	6.309	3.686	9.842
	35.872	19.063	6.475	3.783	10.101
	36.780	19.542	6.641	3.880	10.360
	37.688	20.021	6.807	3.977	10.619
	38.596	20.500	6.973	4.074	10.878
	39.504	20.979	7.139	4.171	11.137
	40.412	21.458	7.305	4.268	11.396
	41.320	21.937	7.471	4.365	11.655
	42.228	22.416	7.637	4.462	11.914
	43.136	22.895	7.803	4.559	12.173
	44.044	23.374	7.969	4.656	12.432
	44.952	23.853	8.135	4.753	12.691
	45.860	24.332	8.301	4.850	12.950
	46.768	24.811	8.467	4.947	13.209
	47.676	25.290	8.633	5.044	13.468
	48.584	25.769	8.799	5.141	13.727

CONSTANT:

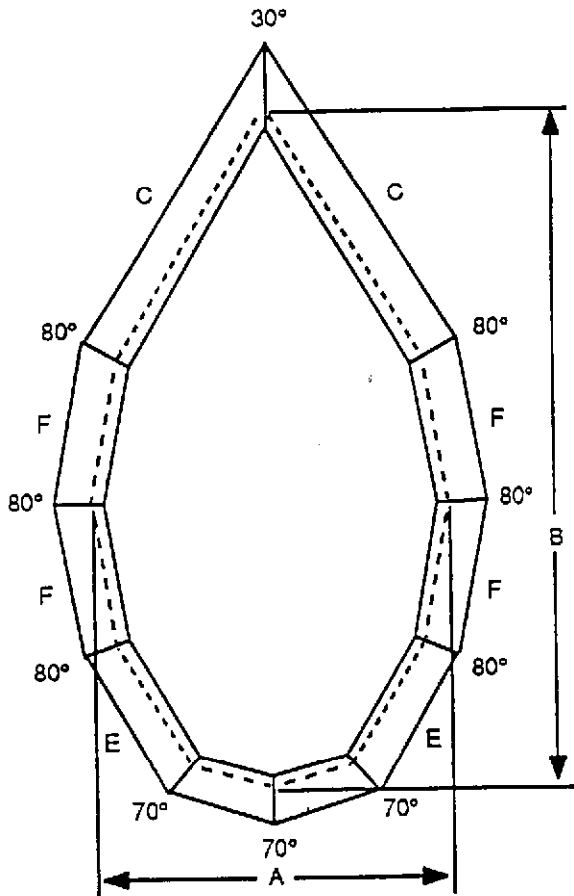
0.908	0.479	0.166	0.097	0.259
-------	-------	-------	-------	-------

# Flame 14

Angle Settings: 30.0°, 70.0° & 80.0°

A & B - Overall picture area including rabbet

C, D, E & F - Length of cut



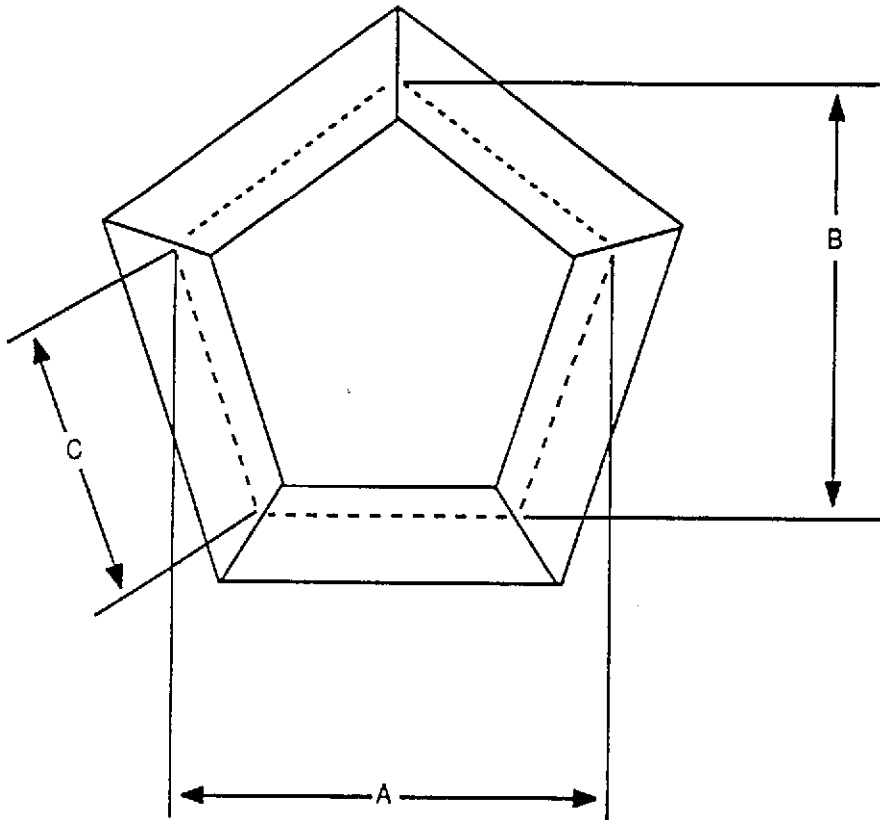
	A	B	C	D	E	F
	3.000	6.016	2.426	0.864	1.047	1.314
	3.980	7.996	3.234	1.152	1.396	1.752
	4.960	9.976	4.042	1.440	1.745	2.190
	5.940	11.956	4.850	1.728	2.094	2.628
	6.920	13.936	5.658	2.016	2.443	3.066
	7.900	15.916	6.466	2.304	2.792	3.504
	8.880	17.896	7.274	2.592	3.141	3.942
	9.860	19.876	8.082	2.880	3.490	4.380
	10.840	21.856	8.890	3.168	3.839	4.818
	11.820	23.836	9.698	3.456	4.188	5.256
	12.800	25.816	10.506	3.744	4.537	5.694
	13.780	27.796	11.314	4.032	4.886	6.132
	14.760	29.776	12.122	4.320	5.235	6.570
	15.740	31.756	12.930	4.608	5.584	7.008
	16.720	33.736	13.738	4.896	5.933	7.446
	17.700	35.716	14.546	5.184	6.282	7.884
	18.680	37.696	15.354	5.472	6.631	8.322
	19.660	39.676	16.162	5.760	6.980	8.760
	20.640	41.656	16.970	6.048	7.329	9.198
	21.620	43.636	17.778	6.336	7.678	9.636
	22.600	45.616	18.586	6.624	8.027	10.074
	23.580	47.596	19.394	6.912	8.376	10.512
	24.560	49.576	20.202	7.200	8.725	10.950
CONSTANT:						
	0.980	1.980	0.808	0.288	0.349	0.438

# 5 - Sided Frame

Angle Setting: 54.0°

A & B - Overall picture area including rabbet

C - Length of cut



A	B	C
3.527	3.354	2.180
4.702	4.472	2.906
5.878	5.590	3.633
7.053	6.708	4.359
8.229	7.826	5.086
9.405	8.944	5.812
10.580	10.062	6.539
11.756	11.180	7.265
12.931	12.298	7.992
14.107	13.416	8.718
15.282	14.534	9.445
16.458	15.652	10.172
17.634	16.770	10.898
18.809	17.889	11.625
19.985	19.007	12.351
21.160	20.125	13.078
22.336	21.243	13.804
23.511	22.361	14.531
24.687	23.479	15.257
25.862	24.597	15.984
27.038	25.715	16.710
28.214	26.833	17.437
29.389	27.951	18.163
30.565	29.069	18.890
31.740	30.187	19.617
32.916	31.305	20.343
34.091	32.423	21.070
35.267	33.541	21.796
36.443	34.659	22.523
37.618	35.777	23.249
38.794	36.895	23.976
39.969	38.013	24.702
41.145	39.131	25.429
42.320	40.249	26.155
43.496	41.367	26.882
44.672	42.485	27.608
45.847	43.603	28.335
47.023	44.721	29.062
48.198	45.839	29.788
49.374	46.957	30.515
50.549	48.075	31.241
51.725	49.193	31.968
52.901	50.311	32.694
54.076	51.430	33.421
55.252	52.548	34.147
56.427	53.666	34.874

CONSTANT:

1.175	1.118	0.726
-------	-------	-------

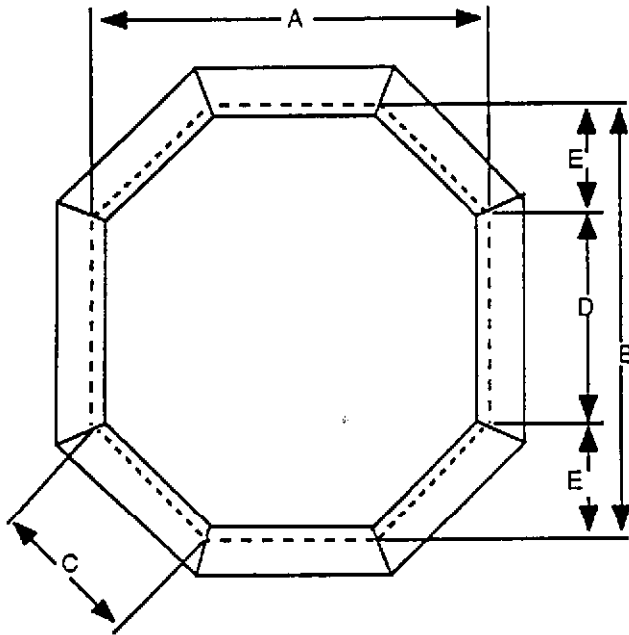
# 8 Sided Frame

Length: your choice

Angle Setting: 67.5°

A & B: Overall picture area including rabbet

C & D : length of cut



A	B	C	D	E
3.000	YOUR CHOICE	1.243	D=B-E	1.757
4.000		1.657		2.343
5.000		2.071		2.929
6.000		2.485		3.515
7.000		2.899		4.101
8.000		3.313		4.687
9.000		3.727		5.273
10.000		4.141		5.859
11.000		4.555		6.445
12.000		4.969		7.031
13.000		5.383		7.617
14.000		5.797		8.203
15.000		6.211		8.789
16.000		6.625		9.375
17.000		7.039		9.961
18.000		7.453		10.547
19.000		7.867		11.133
20.000		8.281		11.719
21.000		8.695		12.305
22.000		9.109		12.891
23.000		9.523		13.477
24.000		9.937		14.063
25.000		10.351		14.649
26.000		10.765		15.235
27.000		11.179		15.821
28.000		11.593		16.407
29.000	12.007	16.993		
30.000	12.421	17.579		
31.000	12.835	18.165		
32.000	13.249	18.751		
33.000	13.663	19.337		
34.000	14.077	19.923		
35.000	14.491	20.509		
36.000	14.905	21.095		
37.000	15.319	21.681		
38.000	15.733	22.267		
39.000	16.147	22.853		
40.000	16.561	23.439		
41.000	16.975	24.025		
42.000	17.389	24.611		
43.000	17.803	25.197		
44.000	18.217	25.783		
45.000	18.631	26.369		
46.000	19.045	26.955		
47.000	19.459	27.541		
48.000	19.873	28.127		

CONSTANT:

1.000

0.414

0.586

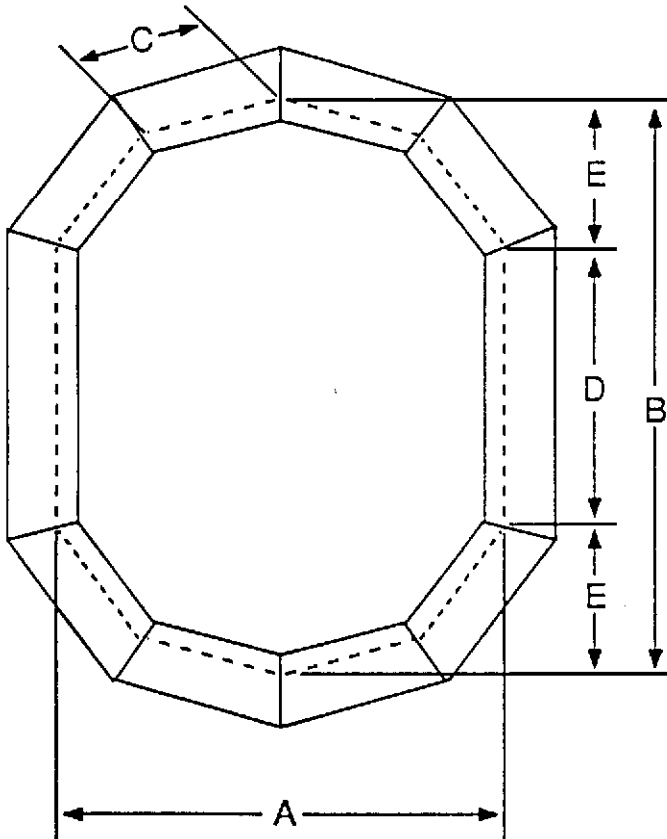
## 10 - Sided Frame

Length - your choice

Angle Setting: 72.0°

A & B - Overall picture area including rabbet

C & D - Length of cut



A	B	C	D	E
3.000	YOUR	0.975	D = B - E	2.179
4.000	CHOICE	1.300		2.906
5.000		1.625		3.633
6.000		1.950		4.360
7.000		2.275		5.087
8.000		2.600		5.814
9.000		2.925		6.541
10.000		3.250		7.268
11.000		3.575		7.995
12.000		3.900		8.722
13.000		4.225		9.449
14.000		4.550		10.176
15.000		4.875		10.903
16.000		5.200		11.630
17.000		5.525		12.357
18.000		5.850		13.084
19.000		6.175		13.811
20.000		6.500		14.538
21.000		6.825		15.265
22.000		7.150		15.992
23.000		7.475		16.719
24.000		7.800		17.446
25.000		8.125		18.173
26.000		8.450		18.900
27.000		8.775		19.627
28.000		9.100		20.354
29.000		9.425		21.081
30.000		9.750		21.808
31.000		10.075		22.535
32.000		10.400		23.262
33.000		10.725		23.989
34.000		11.050		24.716
35.000		11.375		25.443
36.000		11.700		26.170
37.000		12.025		26.897
38.000		12.350		27.624
39.000		12.675		28.351
40.000		13.000		29.078
41.000		13.325		29.805
42.000		13.650		30.532
43.000		13.975		31.259
44.000		14.300		31.986
45.000		14.625		32.713
46.000		14.950		33.440
47.000		15.275		34.167
48.000		15.600		34.894

CONSTANT:

1.000	0.325	2.727
-------	-------	-------

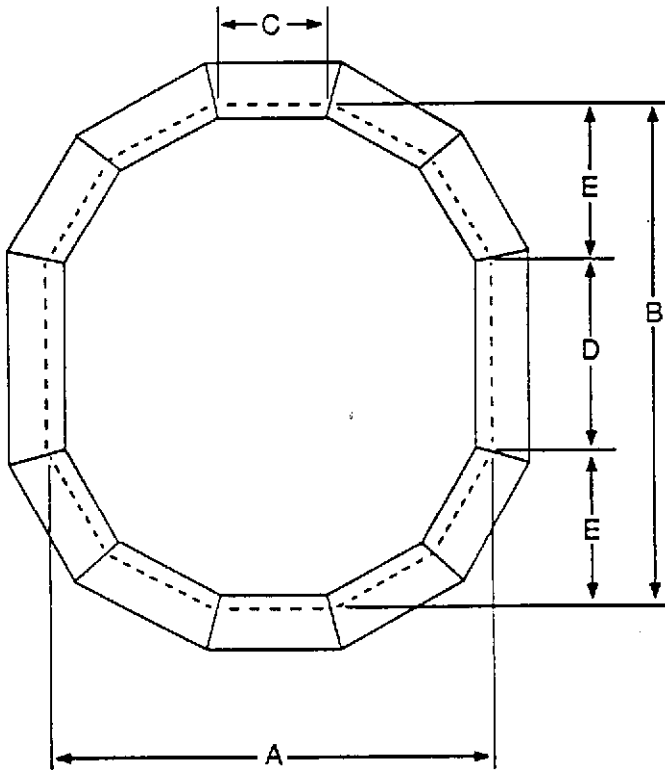
# 12 - Sided Frame

Length - your choice

Angle Setting: 75.0°

A & B - Overall picture area including rabbet

C & D - Length of Cut



A	B	C	D	E
3.000	YOUR CHOICE	0.804	D = B - E	2.196
4.000		1.072		2.928
5.000		1.340		3.660
6.000		1.608		4.392
7.000		1.876		5.124
8.000		2.144		5.856
9.000		2.412		6.588
10.000		2.680		7.320
11.000		2.948		8.052
12.000		3.216		8.784
13.000		3.484		9.516
14.000		3.752		10.248
15.000		4.020		10.980
16.000		4.288		11.712
17.000		4.556		12.444
18.000		4.824		13.176
19.000		5.092		13.908
20.000		5.360		14.640
21.000		5.628		15.372
22.000		5.896		16.104
23.000		6.164		16.836
24.000		6.432		17.568
25.000		6.700		18.300
26.000		6.968		19.032
27.000		7.236		19.764
28.000		7.504		20.496
29.000		7.772		21.228
30.000		8.040		21.960
31.000		8.308		22.692
32.000		8.576		23.424
33.000		8.844		24.156
34.000		9.112		24.888
35.000		9.380		25.620
36.000		9.648		26.352
37.000		9.916		27.084
38.000		10.184		27.816
39.000		10.452		28.548
40.000		10.720		29.280
41.000		10.988		30.012
42.000		11.256		30.744
43.000		11.524		31.476
44.000		11.792		32.208
45.000		12.060		32.940
46.000		12.328		33.672
47.000		12.596		34.404
48.000		12.864		35.136

CONSTANT:

1.000

0.268

0.732



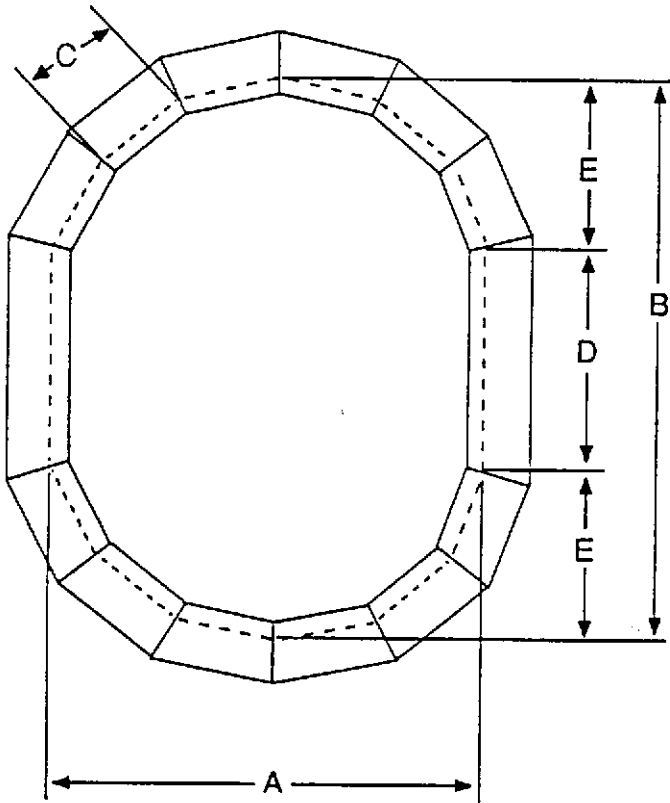
# 14 - Sided Frame

Length - your choice

Angle Setting: 77.14°

A & B - Overall picture area including rabbet

C & D - Length of cut



A	B	C	D	E
3.000	YOUR CHOICE	0.685	D = B - E	2.392
4.000		0.913		3.190
5.000		1.141		3.988
6.000		1.369		4.786
7.000		1.597		5.584
8.000		1.825		6.382
9.000		2.053		7.180
10.000		2.281		7.978
11.000		2.509		8.776
12.000		2.737		9.574
13.000		2.965		10.372
14.000		3.193		11.170
15.000		3.421		11.968
16.000		3.649		12.766
17.000		3.877		13.564
18.000		4.105		14.362
19.000		4.333		15.160
20.000		4.561		15.958
21.000		4.789		16.756
22.000		5.017		17.554
23.000		5.245		18.352
24.000		5.473		19.150
25.000		5.701		19.948
26.000		5.929		20.746
27.000		6.157		21.544
28.000		6.385		22.342
29.000		6.613		23.140
30.000		6.841		23.938
31.000		7.069		24.736
32.000		7.297		25.534
33.000		7.525		26.332
34.000		7.753		27.130
35.000		7.981		27.928
36.000		8.209		28.726
37.000		8.437		29.524
38.000		8.665		30.322
39.000		8.893		31.120
40.000		9.121		31.918
41.000		9.349		32.716
42.000		9.577		33.514
43.000		9.805		34.312
44.000		10.033		35.110
45.000		10.261		35.908
46.000		10.489		36.706
47.000		10.717		37.504
48.000		10.945		38.302

CONSTANT:

1.000                      0.228                      0.798

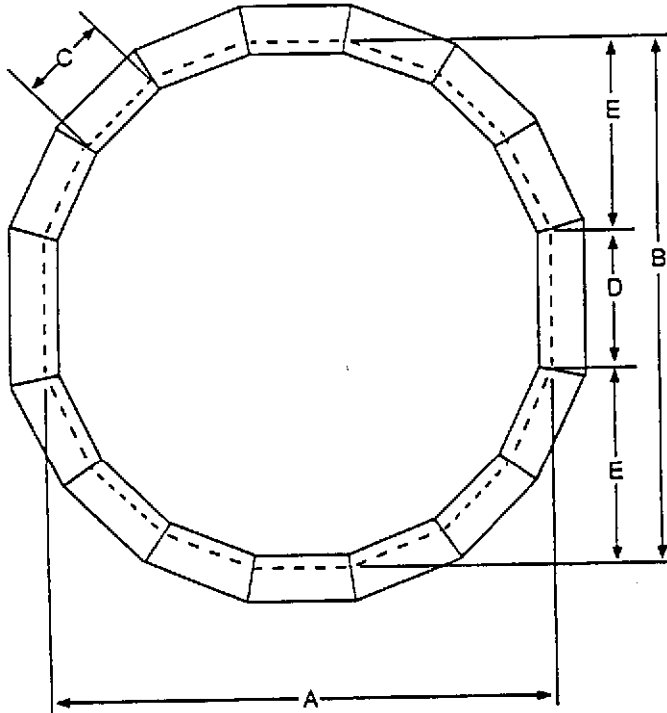
# 16 - Sided Frame

Length - your choice

Angle Setting: 78.75°

A & B - Overall picture area including rabbet

C & D - Length of cut



A	B	C	D	E
3.000	YOUR CHOICE	0.596	D = B - E	2.404
4.000	YOUR CHOICE	0.795		3.205
5.000		0.994		4.006
6.000		1.193		4.807
7.000		1.392		5.608
8.000		1.591		6.409
9.000		1.790		7.210
10.000		1.989		8.011
11.000		2.188		8.812
12.000		2.387		9.613
13.000		2.586		10.414
14.000		2.785		11.215
15.000		2.984		12.016
16.000		3.183		12.817
17.000		3.382		13.618
18.000		3.581		14.419
19.000		3.780		15.220
20.000		3.979		16.021
21.000		4.178		16.822
22.000		4.377		17.623
23.000		4.576		18.424
24.000		4.775		19.225
25.000		4.974		20.026
26.000		5.173		20.827
27.000		5.372		21.628
28.000		5.571		22.429
29.000		5.770		23.230
30.000		5.969		24.031
31.000		6.168		24.832
32.000		6.367		25.633
33.000		6.566		26.434
34.000		6.765		27.235
35.000		6.964		28.036
36.000		7.163		28.837
37.000		7.362		29.638
38.000		7.561		30.439
39.000		7.760		31.240
40.000		7.959		32.041
41.000		8.158		32.842
42.000		8.357		33.643
43.000		8.556		34.444
44.000		8.755		35.245
45.000		8.954		36.046
46.000		9.153		36.847
47.000		9.352		37.648
48.000		9.551		38.449

CONSTANT:

1.000	0.199	0.801
-------	-------	-------

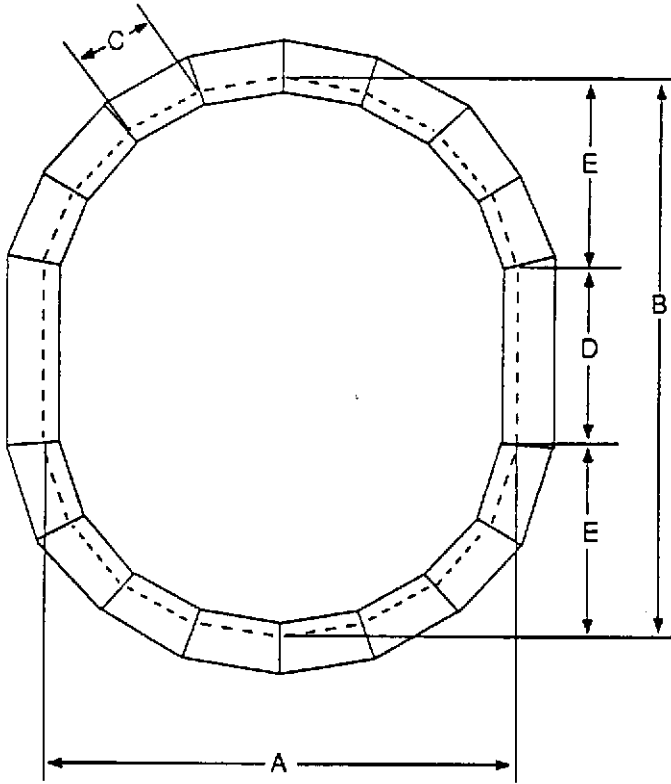
# 18 - Sided Frame

Length - your choice

Angle Setting: 80.0°

A & B - Overall picture area including rabbet

C & D - Length of cut



A	B	C	D	E
3.000	YOUR CHOICE	0.529	D = B - E	2.517
4.000	CHOICE	0.704		3.356
5.000		0.879		4.195
6.000		1.054		5.034
7.000		1.229		5.873
8.000		1.404		6.712
9.000		1.579		7.551
10.000		1.754		8.390
11.000		1.929		9.229
12.000		2.104		10.068
13.000		2.279		10.907
14.000		2.454		11.746
15.000		2.629		12.585
16.000		2.804		13.424
17.000		2.979		14.263
18.000		3.154		15.102
19.000		3.329		15.941
20.000		3.504		16.780
21.000		3.679		17.619
22.000		3.854		18.458
23.000		4.029		19.297
24.000		4.204		20.136
25.000		4.379		20.975
26.000		4.554		21.814
27.000		4.729		22.653
28.000		4.904		23.492
29.000		5.079		24.331
30.000		5.254		25.170
31.000		5.429		26.009
32.000		5.604		26.848
33.000		5.779		27.687
34.000		5.954		28.526
35.000		6.129		29.365
36.000		6.304		30.204
37.000		6.479		31.043
38.000		6.654		31.882
39.000		6.829		32.721
40.000		7.004		33.560
41.000		7.179		34.399
42.000		7.354		35.238
43.000		7.529		36.077
44.000		7.704		36.916
45.000		7.879		37.755
46.000		8.054		38.594
47.000		8.229		39.433
48.000		8.404		40.272

CONSTANT:

1.000	0.175	0.839
-------	-------	-------

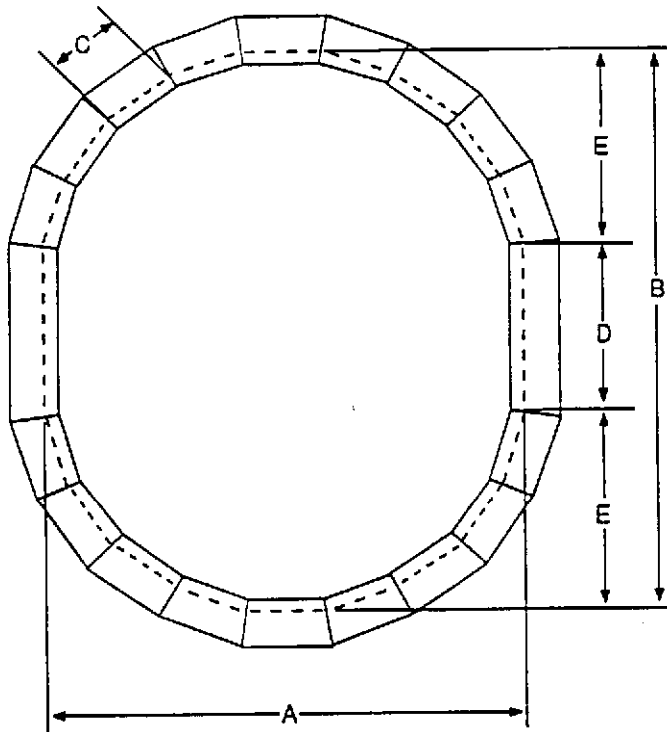
# 20 - Sided Frame

Length - your choice

Angle Setting: 81.0°

A & B - Overall picture area including rabbet

C & D - Length of cut



A	B	C	D	E
3.000	YOUR CHOICE	0.475	D = B - E	2.525
4.000		0.633		3.367
5.000		0.791		4.209
6.000		0.949		5.051
7.000		1.107		5.893
8.000		1.265		6.735
9.000		1.423		7.577
10.000		1.581		8.419
11.000		1.739		9.261
12.000		1.897		10.103
13.000		2.055		10.945
14.000		2.213		11.787
15.000		2.371		12.629
16.000		2.529		13.471
17.000		2.687		14.313
18.000		2.845		15.155
19.000		3.003		15.997
20.000		3.161		16.839
21.000		3.319		17.681
22.000		3.477		18.523
23.000	3.635	19.365		
24.000	3.793	20.207		
25.000	3.951	21.049		
26.000	4.109	21.891		
27.000	4.267	22.733		
28.000	4.425	23.575		
29.000	4.583	24.417		
30.000	4.741	25.259		
31.000	4.899	26.101		
32.000	5.057	26.943		
33.000	5.215	27.785		
34.000	5.373	28.627		
35.000	5.531	29.469		
36.000	5.689	30.311		
37.000	5.847	31.153		
38.000	6.005	31.995		
39.000	6.163	32.837		
40.000	6.321	33.679		
41.000	6.479	34.521		
42.000	6.637	35.363		
43.000	6.795	36.205		
44.000	6.953	37.047		
45.000	7.111	37.889		
46.000	7.269	38.731		
47.000	7.427	39.573		
48.000	7.585	40.415		

CONSTANT:

1.000	0.158	0.842
-------	-------	-------

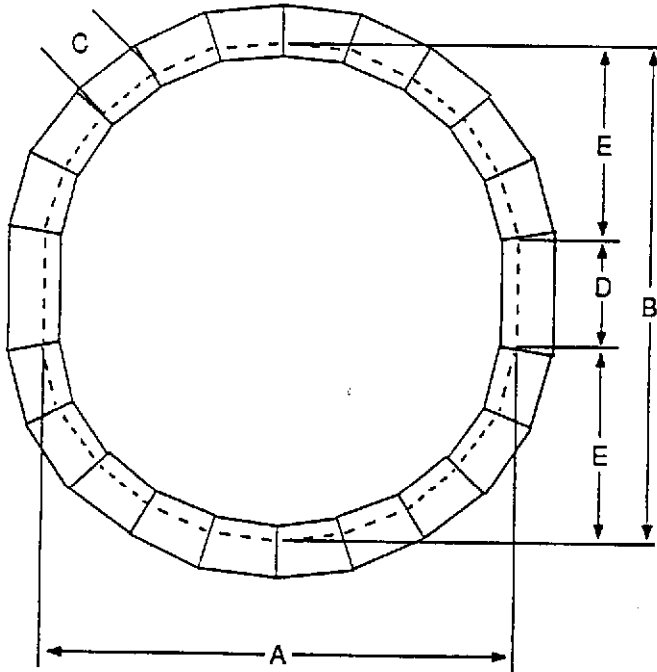
## 22 - Sided Frame

Length - your choice

Angle Setting: 81.82°

A & B - Overall picture area including rabbet

C & D - Length of cut



A	B	C	D	E
3.000	YOUR CHOICE	0.431	D = B - E	2.601
4.000		0.575		3.467
5.000		0.719		4.333
6.000		0.863		5.199
7.000		1.007		6.065
8.000		1.151		6.931
9.000		1.295		7.797
10.000		1.439		8.663
11.000		1.583		9.529
12.000		1.727		10.395
13.000		1.871		11.261
14.000		2.015		12.127
15.000		2.159		12.993
16.000		2.303		13.859
17.000		2.447		14.725
18.000		2.591		15.591
19.000		2.735		16.457
20.000		2.879		17.323
21.000		3.023		18.189
22.000		3.167		19.055
23.000		3.311		19.921
24.000		3.455		20.787
25.000		3.599		21.653
26.000		3.743		22.519
27.000		3.887		23.385
28.000		4.031		24.251
29.000		4.175		25.117
30.000		4.319		25.983
31.000		4.463		26.849
32.000		4.607		27.715
33.000		4.751		28.581
34.000		4.895		29.447
35.000		5.039		30.313
36.000		5.183		31.179
37.000		5.327		32.045
38.000		5.471		32.911
39.000		5.615		33.777
40.000		5.759		34.643
41.000		5.903		35.509
42.000		6.047		36.375
43.000		6.191		37.241
44.000		6.335		38.107
45.000		6.479		38.973
46.000		6.623		39.839
47.000		6.767		40.705
48.000		6.911		41.571

CONSTANT:

1.000	0.144	0.866
		67

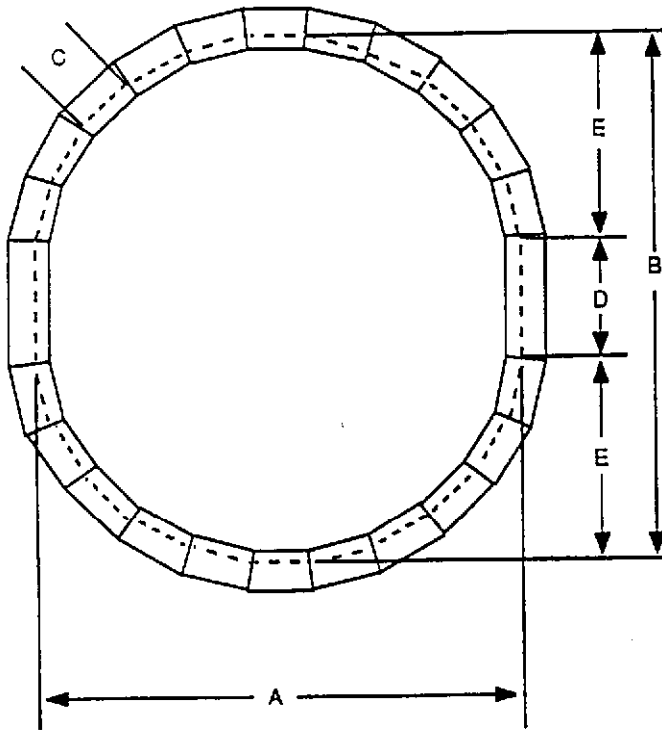
# 24 - Sided Frame

Length - your choice

Angle Setting: 82.5°

A & B - Overall picture area including rabbet

C & D - Length of cut



A	B	C	D	E
3.000	YOUR CHOICE	0.395	D = B - E	2.605
4.000		0.527		3.473
5.000		0.659		4.341
6.000		0.791		5.209
7.000		0.923		6.077
8.000		1.055		6.945
9.000		1.187		7.813
10.000		1.319		8.681
11.000		1.451		9.549
12.000		1.583		10.417
13.000		1.715		11.285
14.000		1.847		12.153
15.000		1.979		13.021
16.000		2.111		13.889
17.000		2.243		14.757
18.000		2.375		15.625
19.000		2.507		16.493
20.000		2.639		17.361
21.000		2.771		18.229
22.000		2.903		19.097
23.000		3.035		19.965
24.000		3.167		20.833
25.000		3.299		21.701
26.000		3.431		22.569
27.000	3.563	23.437		
28.000	3.695	24.305		
29.000	3.827	25.173		
30.000	3.959	26.041		
31.000	4.091	26.909		
32.000	4.223	27.777		
33.000	4.355	28.645		
34.000	4.487	29.513		
35.000	4.619	30.381		
36.000	4.751	31.249		
37.000	4.883	32.117		
38.000	5.015	32.985		
39.000	5.147	33.853		
40.000	5.279	34.721		
41.000	5.411	35.589		
42.000	5.543	36.457		
43.000	5.675	37.325		
44.000	5.807	38.193		
45.000	5.939	39.061		
46.000	6.071	39.929		
47.000	6.203	40.797		
48.000	6.335	41.665		

CONSTANT:

1.000	0.272	0.868
-------	-------	-------

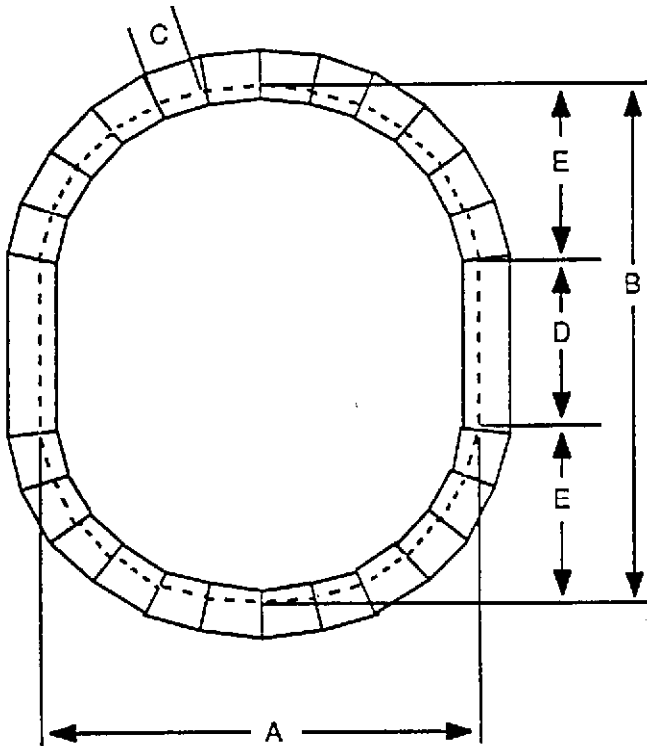
## 26 - Sided Frame

Length - your choice

Angle Setting: 83.0°

A & B - Overall picture area including rabbet

C & D - Length of cut



A	B	C	D	E
3.000	YOUR CHOICE	0.364	D = B - E	2.658
4.000		0.485		3.544
5.000		0.607		4.430
6.000		0.728		5.316
7.000		0.850		6.202
8.000		0.971		7.088
9.000		1.092		7.974
10.000		1.214		8.860
11.000		1.335		9.746
12.000		1.456		10.632
13.000		1.578		11.518
14.000		1.699		12.404
15.000		1.820		13.290
16.000		1.942		14.176
17.000		2.063		15.062
18.000		2.185		15.948
19.000		2.306		16.834
20.000		2.427		17.720
21.000		2.549		18.606
22.000		2.670		19.492
23.000		2.791		20.378
24.000		2.913		21.264
25.000		3.034		22.150
26.000		3.155		23.036
27.000		3.277		23.922
28.000		3.398		24.808
29.000	3.520	25.694		
30.000	3.641	26.580		
31.000	3.762	27.466		
32.000	3.884	28.352		
33.000	4.005	29.238		
34.000	4.126	30.124		
35.000	4.248	31.010		
36.000	4.369	31.896		
37.000	4.490	32.782		
38.000	4.612	33.668		
39.000	4.733	34.554		
40.000	4.855	35.440		
41.000	4.976	36.326		
42.000	5.097	37.212		
43.000	5.219	38.098		
44.000	5.340	38.984		
45.000	5.461	39.870		
46.000	5.583	40.756		
47.000	5.704	41.642		
48.000	5.825	42.528		

CONSTANT:

1.000                      0.121                      0.886

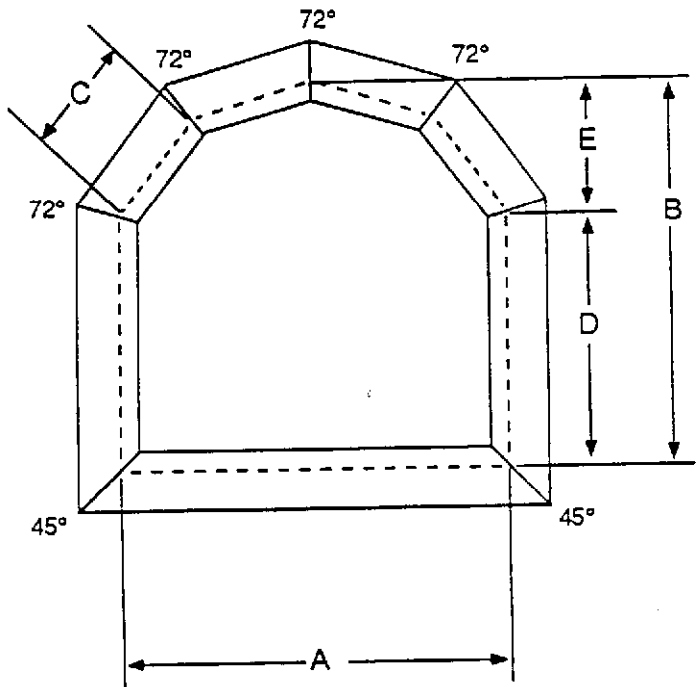
# Cathedral Style - 7 Sided

Length - your choice

Angle Settings: 45.0° & 72.0°

A & B - Overall picture area including rabbet

A, C & D - Length of cut



A	B	C	D	E
4.000	YOUR CHOICE	1.283	D = B - E	1.453
5.000		1.604		1.817
6.000		1.925		2.181
7.000		2.246		2.545
8.000		2.567		2.909
9.000		2.888		3.273
10.000		3.209		3.637
11.000		3.530		4.001
12.000		3.851		4.365
13.000		4.172		4.729
14.000		4.493		5.093
15.000		4.814		5.457
16.000		5.135		5.821
17.000		5.456		6.185
18.000		5.777		6.549
19.000		6.098		6.913
20.000		6.419		7.277
21.000		6.740		7.641
22.000		7.061		8.005
23.000		7.382		8.369
24.000		7.703		8.733
25.000		8.024		9.097
26.000		8.345		9.461
27.000		8.666		9.825
28.000		8.987		10.189
29.000		9.308		10.553
30.000		9.629		10.917
31.000		9.950		11.281
32.000		10.271		11.645
33.000		10.592		12.009
34.000		10.913		12.373
35.000		11.234		12.737
36.000		11.555		13.101
37.000		11.876		13.465
38.000		12.197		13.829
39.000		12.518		14.193
40.000		12.839		14.557
41.000		13.160		14.921
42.000		13.481		15.285
43.000		13.802		15.649
44.000		14.123		16.013
45.000		14.444		16.377
46.000		14.765		16.741
47.000		15.086		17.105
48.000		15.407		17.469

CONSTANT:

1.000	0.321	0.364
-------	-------	-------



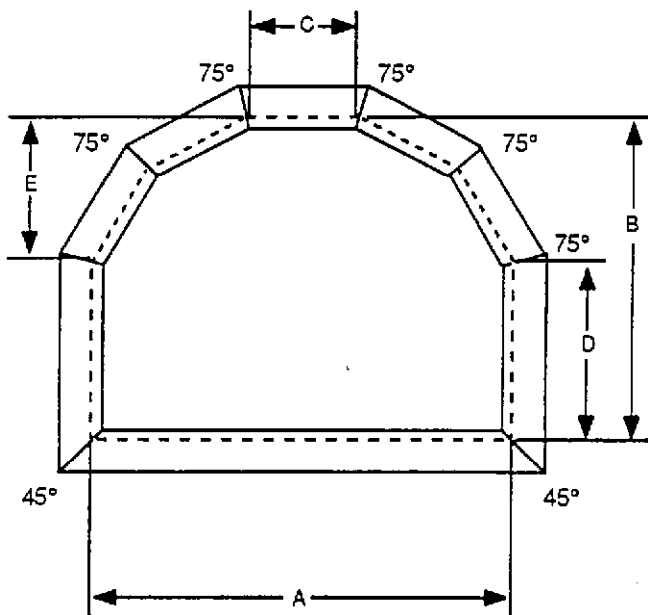
## Cathedral Style - 8 Sided

Length - your choice

Angle Settings: 45.0° & 75.0°

A & B - Overall picture area including rabbet

A, C & D - Length of cut



A	B	C	D	E
4.000	YOUR CHOICE	1.072	D = B - E	1.464
5.000		1.340		1.830
6.000		1.608		2.196
7.000		1.876		2.562
8.000		2.144		2.928
9.000		2.412		3.294
10.000		2.680		3.660
11.000		2.948		4.026
12.000		3.216		4.392
13.000		3.484		4.758
14.000		3.752		5.124
15.000		4.020		5.490
16.000		4.228		5.856
17.000		4.556		6.222
18.000		4.824		6.588
19.000		5.092		6.954
20.000		5.360		7.320
21.000		5.628		7.686
22.000		5.896		8.052
23.000		6.164		8.418
24.000		6.432		8.784
25.000		6.700		9.150
26.000		6.968		9.516
27.000		7.236		9.882
28.000		7.504		10.248
29.000		7.772		10.614
30.000		8.040		10.980
31.000		8.308		11.346
32.000		8.576		11.712
33.000		8.844		12.078
34.000		9.112		12.444
35.000		9.380		12.810
36.000		9.648		13.176
37.000		9.916		13.542
38.000		10.184		13.908
39.000		10.452		14.274
40.000		10.720		14.640
41.000		10.988		15.006
42.000		11.256		15.372
43.000		11.524		15.738
44.000		11.792		16.104
45.000		12.060		16.470
46.000		12.328		16.836
47.000		12.596		17.202
48.000		12.864		17.568

CONSTANT:

1.000	0.268	0.366
-------	-------	-------

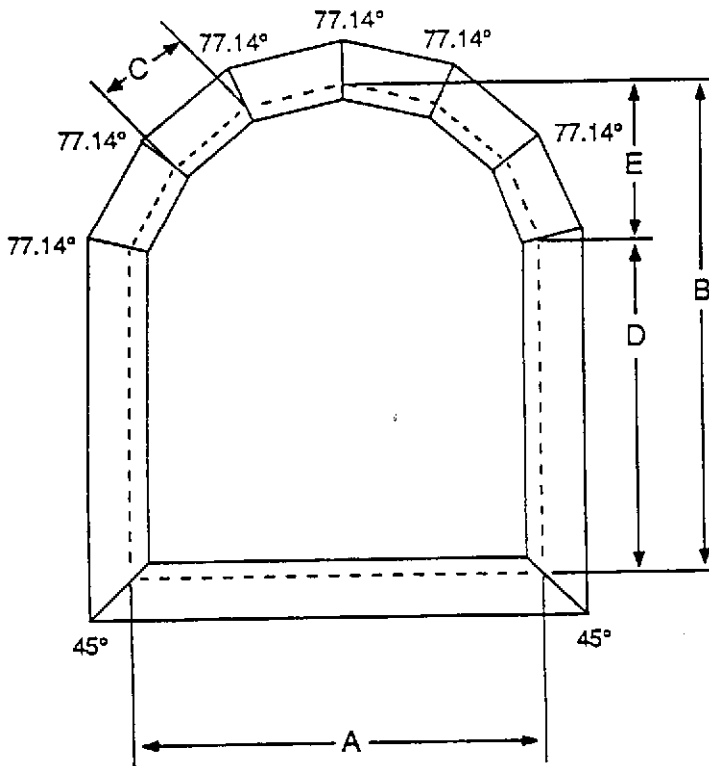
# Cathedral Style - 9 Sided

Length - your choice

Angle Settings: 45.0° & 77.14°

A & B - Overall picture area including rabbet

A, C & D - Length of cut



A	B	C	D	E
3.000	YOUR CHOICE	0.685	D = B - E	1.196
4.000		0.913		1.595
5.000		1.141		1.994
6.000		1.369		2.393
7.000		1.597		2.792
8.000		1.825		3.191
9.000		2.053		3.590
10.000		2.281		3.989
11.000		2.509		4.388
12.000		2.737		4.787
13.000		2.965		5.186
14.000		3.193		5.585
15.000		3.421		5.984
16.000		3.649		6.383
17.000		3.877		6.782
18.000		4.105		7.181
19.000		4.333		7.580
20.000		4.561		7.979
21.000		4.789		8.378
22.000		5.017		8.777
23.000		5.245		9.176
24.000		5.473		9.575
25.000		5.701		9.974
26.000		5.929		10.373
27.000	6.157	10.772		
28.000	6.385	11.171		
29.000	6.613	11.570		
30.000	6.841	11.969		
31.000	7.069	12.368		
32.000	7.297	12.767		
33.000	7.525	13.166		
34.000	7.753	13.565		
35.000	7.981	13.964		
36.000	8.209	14.363		
37.000	8.437	14.762		
38.000	8.665	15.161		
39.000	8.893	15.560		
40.000	9.121	15.959		
41.000	9.349	16.358		
42.000	9.577	16.757		
43.000	9.805	17.156		
44.000	10.033	17.555		
45.000	10.261	17.954		
46.000	10.489	18.353		
47.000	10.717	18.752		
48.000	10.945	19.151		

CONSTANT:

1.000	0.228	0.399
-------	-------	-------

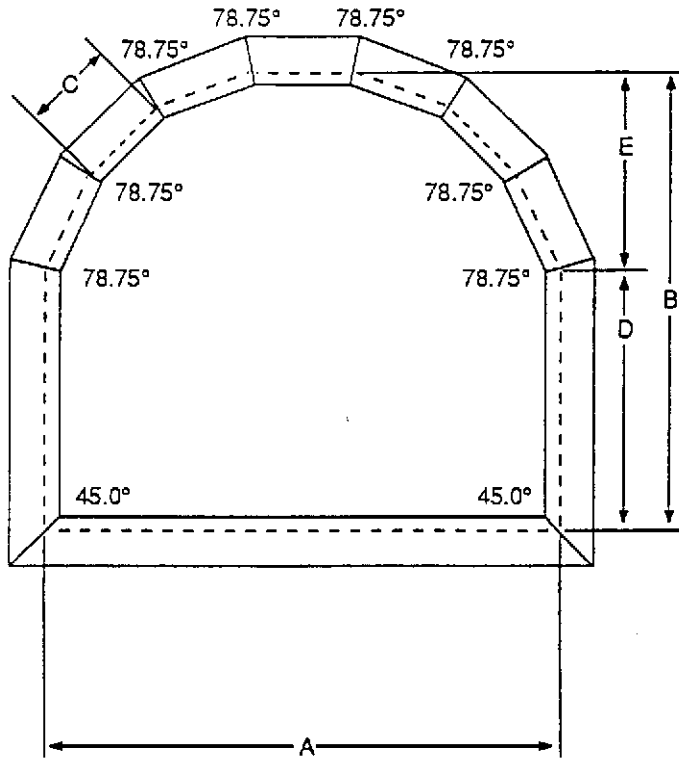
## Cathedral Style - 10 Sided

Length - you choice

Angle Setting: 45.0° & 78.75°

A & B - Overall picture area including rabbet

A, C & D - Length of cut



A	B	C	D	E
3.000	YOUR CHOICE	0.596	D = B - E	1.200
4.000		0.795		1.600
5.000		0.994		2.000
6.000		1.193		2.400
7.000		1.392		2.800
8.000		1.591		3.200
9.000		1.790		3.600
10.000		1.989		4.000
11.000		2.188		4.400
12.000		2.387		4.800
13.000	2.586	5.200		
14.000	2.785	5.600		
15.000	2.984	6.000		
16.000	3.183	6.400		
17.000	3.382	6.800		
18.000	3.581	7.200		
19.000	3.780	7.600		
20.000	3.979	8.000		
21.000	4.178	8.400		
22.000	4.377	8.800		
23.000	4.576	9.200		
24.000	4.775	9.600		
25.000	4.974	10.000		
26.000	5.173	10.400		
27.000	5.372	10.800		
28.000	5.571	11.200		
29.000	5.770	11.600		
30.000	5.969	12.000		
31.000	6.168	12.400		
32.000	6.367	12.800		
33.000	6.566	13.200		
34.000	6.765	13.600		
35.000	6.964	14.000		
36.000	7.163	14.400		
37.000	7.362	14.800		
38.000	7.561	15.200		
39.000	7.760	15.600		
40.000	7.959	16.000		
41.000	8.158	16.400		
42.000	8.357	16.800		
43.000	8.556	17.200		
44.000	8.755	17.600		
45.000	8.954	18.000		
46.000	9.153	18.400		
47.000	9.352	18.800		
48.000	9.551	19.200		

CONSTANT:

1.000	0.199	0.400
-------	-------	-------

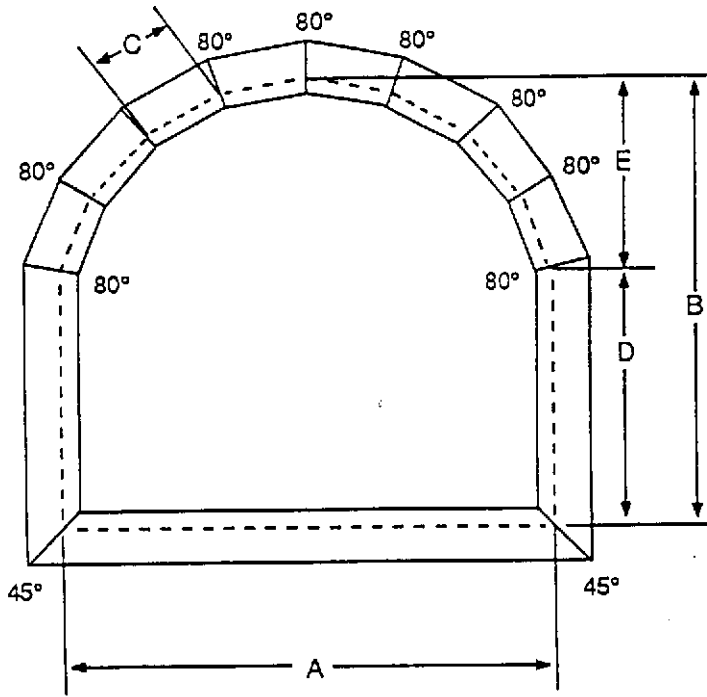
# Cathedral Style - 11 Sided

Length - your choice

Angle Settings: 45.0° & 80.0°

A & B - Overall picture area including rabbet

A, C & D - Length of cut



A	B	C	D	E
3.000	YOUR CHOICE	0.529	D = B - E	1.259
4.000		0.705		1.678
5.000		0.881		2.097
6.000		1.057		2.516
7.000		1.233		2.935
8.000		1.409		3.354
9.000		1.585		3.773
10.000		1.761		4.192
11.000		1.937		4.611
12.000		2.113		5.030
13.000		2.289		5.449
14.000		2.465		5.868
15.000		2.641		6.287
16.000		2.817		6.706
17.000		2.993		7.125
18.000		3.169		7.544
19.000		3.345		7.963
20.000		3.521		8.382
21.000		3.697		8.801
22.000		3.873		9.220
23.000		4.049		9.639
24.000		4.225		10.058
25.000		4.401		10.477
26.000		4.577		10.896
27.000	4.753	11.315		
28.000	4.929	11.734		
29.000	5.105	12.153		
30.000	5.281	12.572		
31.000	5.457	12.991		
32.000	5.633	13.410		
33.000	5.809	13.829		
34.000	5.985	14.248		
35.000	6.161	14.667		
36.000	6.337	15.086		
37.000	6.513	15.505		
38.000	6.689	15.924		
39.000	6.865	16.343		
40.000	7.041	16.762		
41.000	7.217	17.181		
42.000	7.393	17.600		
43.000	7.569	18.019		
44.000	7.745	18.438		
45.000	7.921	18.857		
46.000	8.097	19.276		
47.000	8.273	19.695		
48.000	8.449	20.114		

CONSTANT:

1.000	0.176	0.419
-------	-------	-------

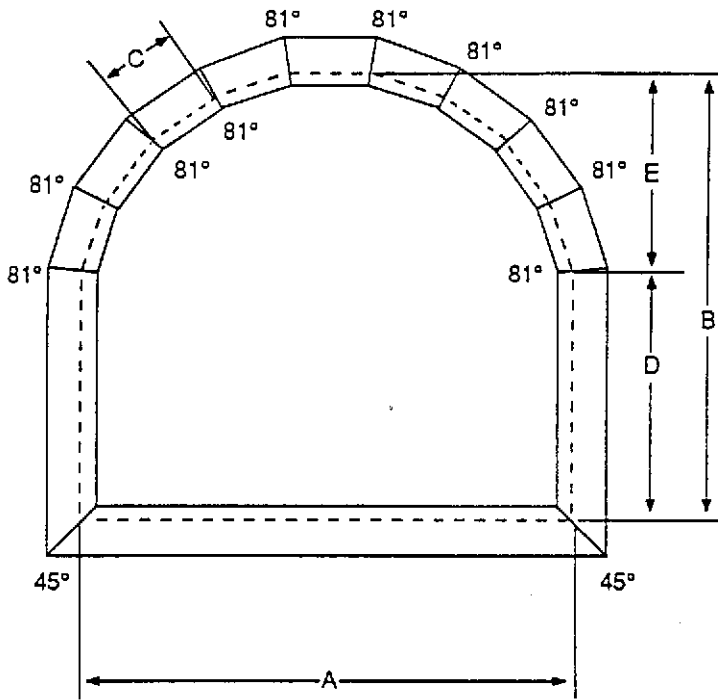
## Cathedral Style - 12 Sided

Length - your choice

Angle Settings: 45.0° & 81.0°

A & B - Overall picture area including rabbet

A, C & D - Length of cut



A	B	C	D	E
3.000	YOUR CHOICE	0.475	D = B - E	1.263
4.000		0.633		1.684
5.000		0.791		2.105
6.000		0.949		2.526
7.000		1.107		2.947
8.000		1.265		3.368
9.000		1.423		3.789
10.000		1.581		4.210
11.000		1.739		4.631
12.000		1.897		5.052
13.000		2.055		5.473
14.000		2.213		5.894
15.000		2.371		6.315
16.000		2.529		6.736
17.000		2.687		7.157
18.000		2.845		7.578
19.000		3.003		7.999
20.000		3.161		8.420
21.000		3.319		8.841
22.000		3.477		9.262
23.000		3.635		9.683
24.000		3.793		10.104
25.000		3.951		10.525
26.000		4.109		10.946
27.000	4.267	11.367		
28.000	4.425	11.788		
29.000	4.583	12.209		
30.000	4.741	12.630		
31.000	4.899	13.051		
32.000	5.057	13.472		
33.000	5.215	13.893		
34.000	5.373	14.314		
35.000	5.531	14.735		
36.000	5.689	15.156		
37.000	5.847	15.577		
38.000	6.005	15.998		
39.000	6.163	16.419		
40.000	6.321	16.840		
41.000	6.479	17.261		
42.000	6.637	17.682		
43.000	6.795	18.103		
44.000	6.953	18.524		
45.000	7.111	18.945		
46.000	7.269	19.366		
47.000	7.427	19.787		
48.000	7.585	20.208		

CONSTANT:

1.000	0.158	0.421
-------	-------	-------

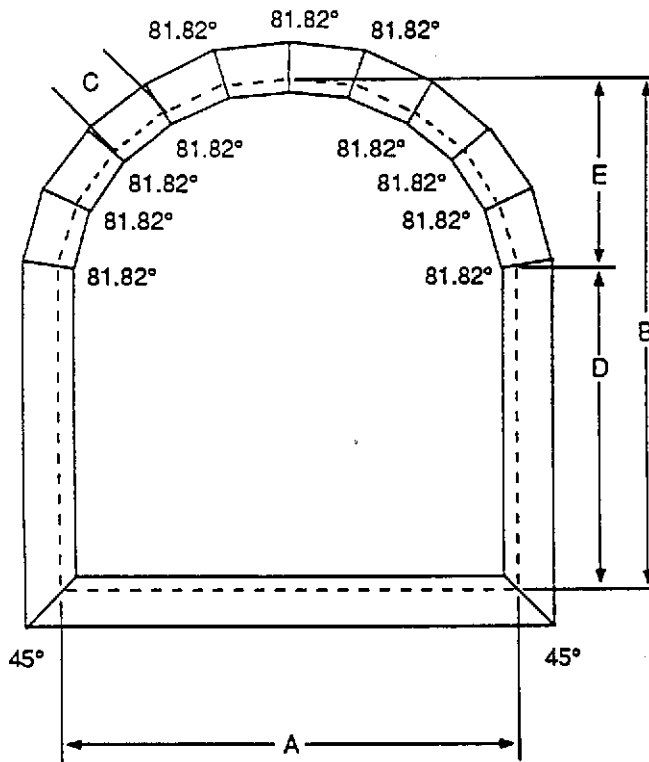
# Cathedral Style - 13 Sided

Length - your choice

Angle Settings: 45.0° & 81.82°

A & B - Overall picture area including rabbet

A, C & D - Length of cut



A	B	C	D	E
3.000	YOUR CHOICE	0.431	D = B - E	1.301
4.000		0.575		1.713
5.000		0.719		2.125
6.000		0.863		2.537
7.000		1.007		2.949
8.000		1.151		3.361
9.000		1.295		3.773
10.000		1.439		4.185
11.000		1.583		4.597
12.000		1.727		5.009
13.000		1.871		5.421
14.000		2.015		5.833
15.000		2.159		6.245
16.000	2.303	6.657		
17.000	2.447	7.069		
18.000	2.591	7.481		
19.000	2.735	7.893		
20.000	2.879	8.305		
21.000	3.023	8.717		
22.000	3.167	9.129		
23.000	3.311	9.541		
24.000	3.455	9.953		
25.000	3.599	10.365		
26.000	3.743	10.777		
27.000	3.887	11.189		
28.000	4.031	11.601		
29.000	4.175	12.013		
30.000	4.319	12.425		
31.000	4.463	12.837		
32.000	4.607	13.249		
33.000	4.751	13.661		
34.000	4.895	14.073		
35.000	5.039	14.485		
36.000	5.183	14.897		
37.000	5.327	15.309		
38.000	5.471	15.721		
39.000	5.615	16.133		
40.000	5.759	16.545		
41.000	5.903	16.957		
42.000	6.047	17.369		
43.000	6.191	17.781		
44.000	6.335	18.193		
45.000	6.479	18.605		
46.000	6.623	19.017		
47.000	6.767	19.429		
48.000	6.911	19.841		

CONSTANT:

1.000	0.144	0.412
-------	-------	-------

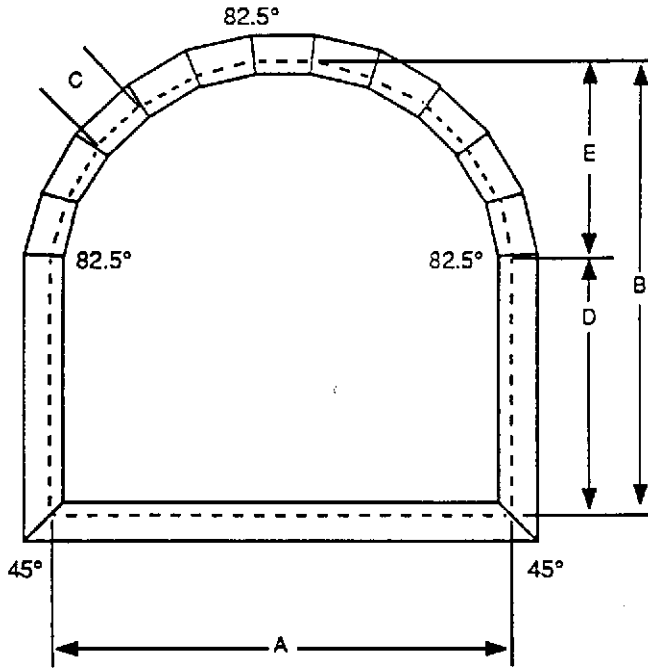
## Cathedral Style - 14 Sided

Length - your choice

Angle Settings: 45.0° & 82.5°

A & B - Overall picture area including rabbet

A, C & D - Length of cut



A	B	C	D	E
3.000	YOUR CHOICE	0.395	D = B - E	1.303
4.000		0.527		1.737
5.000		0.659		2.171
6.000		0.791		2.605
7.000		0.923		3.039
8.000		1.055		3.473
9.000		1.187		3.907
10.000		1.319		4.341
11.000		1.451		4.775
12.000		1.583		5.209
13.000	1.715	5.643		
14.000	1.847	6.077		
15.000	1.979	6.511		
16.000	2.111	6.945		
17.000	2.243	7.379		
18.000	2.375	7.813		
19.000	2.507	8.247		
20.000	2.639	8.681		
21.000	2.771	9.115		
22.000	2.903	9.549		
23.000	3.035	9.983		
24.000	3.167	10.417		
25.000	3.299	10.851		
26.000	3.431	11.285		
27.000	3.563	11.719		
28.000	3.695	12.153		
29.000	3.827	12.587		
30.000	3.959	13.021		
31.000	4.091	13.455		
32.000	4.223	13.889		
33.000	4.355	14.323		
34.000	4.487	14.757		
35.000	4.619	15.191		
36.000	4.751	15.625		
37.000	4.883	16.059		
38.000	5.015	16.493		
39.000	5.147	16.927		
40.000	5.279	17.361		
41.000	5.411	17.795		
42.000	5.543	18.229		
43.000	5.675	18.663		
44.000	5.807	19.097		
45.000	5.939	19.531		
46.000	6.071	19.965		
47.000	6.203	20.399		
48.000	6.335	20.833		

CONSTANT:

1.000	0.132	0.434
-------	-------	-------

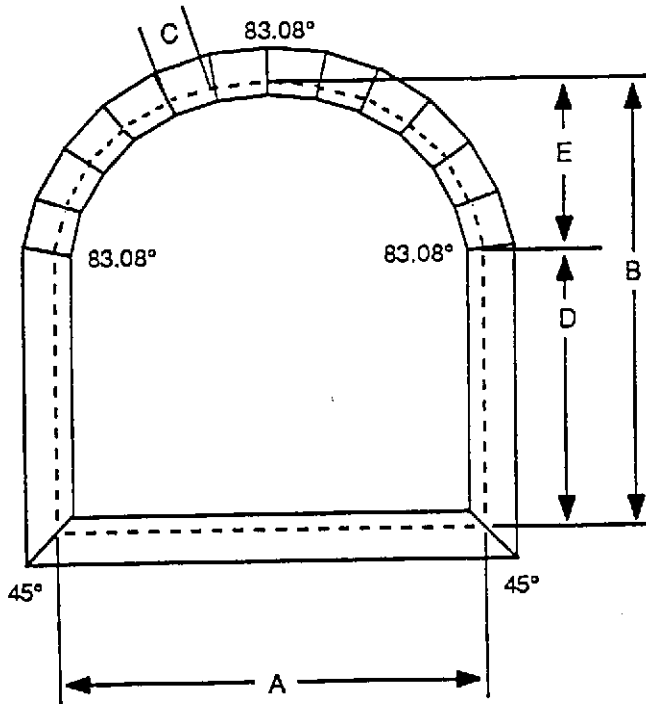
# Cathedral Style - 15 Sided

Length - your choice

Angle Settings: 45.0° & 83.08°

A & B - Overall picture area including rabbet

A, C & D - Length of cut



A	B	C	D	E
3.022	YOUR CHOICE	0.364	D = B - E	1.329
4.029		0.485		1.772
5.036		0.606		2.215
6.043		0.727		2.658
7.050		0.848		3.101
8.057		0.969		3.544
9.064		1.090		3.987
10.071		1.211		4.430
11.078		1.332		4.873
12.085		1.453		5.316
13.082		1.574		5.759
14.099		1.695		6.202
15.106		1.816		6.645
16.113		1.937		7.088
17.120		2.058		7.531
18.127	2.179	7.974		
19.134	2.300	8.417		
20.141	2.421	8.860		
21.148	2.542	9.303		
22.155	2.663	9.746		
23.162	2.784	10.189		
24.169	2.905	10.632		
25.176	3.026	11.075		
26.183	3.147	11.518		
27.190	3.268	11.961		
28.197	3.389	12.404		
29.204	3.510	12.847		
30.211	3.631	13.290		
31.218	3.752	13.733		
32.225	3.873	14.176		
33.232	3.994	14.619		
34.239	4.115	15.062		
35.246	4.236	15.505		
36.253	4.357	15.948		
37.260	4.478	16.391		
38.267	4.599	16.834		
39.274	4.720	17.277		
40.281	4.841	17.720		
41.288	4.962	18.163		
42.295	5.083	18.606		
43.302	5.204	19.049		
44.309	5.325	19.492		
45.316	5.446	19.935		
46.323	5.567	20.378		
47.330	5.688	20.821		
48.337	5.809	21.264		

CONSTANT:

1.007

0.121

0.443

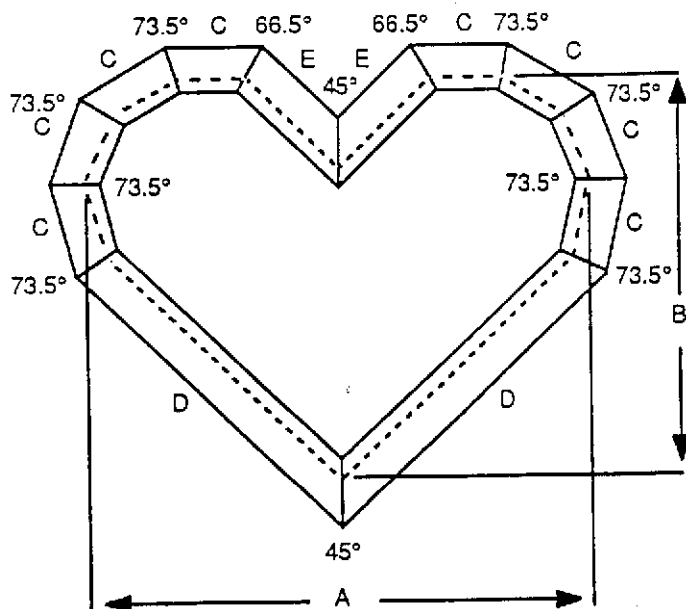


# Heart

Angle Settings: 45°, 66.5° & 73.5°

A & B - Overall picture area including rabbet

Length of cut - C, D & E



A	B	C	D	E
4.920	3.357	0.183	3.625	2.724
5.885	4.197	0.348	4.250	2.898
6.850	5.037	0.513	4.875	3.072
7.815	5.877	0.678	5.500	3.246
8.780	6.717	0.843	6.125	3.420
9.745	7.557	1.008	6.750	3.594
10.710	8.397	1.173	7.375	3.768
11.675	9.237	1.338	8.000	3.942
12.640	10.077	1.503	8.625	4.116
13.605	10.917	1.668	9.250	4.290
14.570	11.757	1.833	9.875	4.464
15.535	12.597	1.998	10.500	4.638
16.500	13.437	2.163	11.125	4.812
17.465	14.277	2.328	11.750	4.986
18.430	15.117	2.493	12.375	5.160
19.395	15.957	2.658	13.000	5.334
20.360	16.797	2.823	13.625	5.508
21.325	17.637	2.988	14.250	5.682
22.290	18.477	3.153	14.875	5.856
23.255	19.317	3.318	15.500	6.030
24.220	20.157	3.483	16.125	6.204
25.185	20.997	3.648	16.750	6.378
26.150	21.837	3.813	17.375	6.552
27.115	22.677	3.978	18.000	6.726
28.080	23.517	4.143	18.625	6.900
29.045	24.357	4.308	19.250	7.074
30.010	25.197	4.473	19.875	7.248
30.975	26.037	4.638	20.500	7.422
31.940	26.877	4.803	21.125	7.596
32.905	27.717	4.968	21.750	7.770
33.870	28.557	5.133	22.375	7.944
34.835	29.397	5.298	23.000	8.118
35.800	30.237	5.463	23.625	8.292
36.765	31.077	5.628	24.250	8.466
37.730	31.917	5.793	24.875	8.640
38.695	32.757	5.958	25.500	8.814
39.660	33.597	6.123	26.125	8.988
40.625	34.437	6.288	26.750	9.162
41.590	35.277	6.453	27.375	9.336
42.555	36.117	6.618	28.000	9.510
43.520	36.957	6.783	28.625	9.684
44.485	37.797	6.948	29.250	9.858
45.450	38.637	7.113	29.875	10.032
46.415	39.477	7.278	30.500	10.206
47.380	40.317	7.443	31.125	10.380
48.345	41.157	7.608	31.750	10.554

CONSTANT:

.965      .840      .165      .625      .174

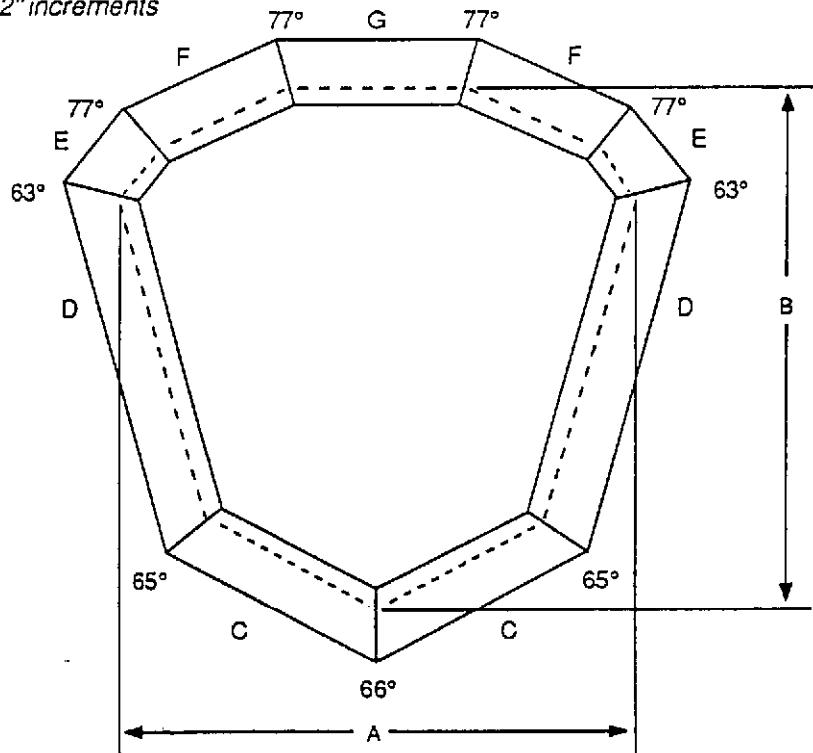
# Coat of Arms

Angle Settings: 63.0°, 65.0° & 77.0°

A & B - Overall picture area including rabbet

C, D, E, F & G - Length of cut

NOTE: Measurements are graduated in 2" increments instead of the standard 1" increments.



A	B	C	D	E	F	G
3.000	3.076	1.022	1.992	0.484	0.771	0.987
5.000	5.126	1.704	3.320	0.810	1.287	1.645
7.000	7.176	2.386	4.648	1.136	1.803	2.303
9.000	9.226	3.068	5.976	1.462	2.319	2.961
11.000	11.276	3.750	7.304	1.788	2.835	3.619
13.000	13.326	4.432	8.632	2.114	3.351	4.277
15.000	15.376	5.114	9.960	2.440	3.867	4.935
17.000	17.426	5.796	11.288	2.766	4.383	5.593
19.000	19.476	6.478	12.616	3.092	4.899	6.251
21.000	21.526	7.160	13.944	3.418	5.415	6.909
23.000	23.576	7.842	15.272	3.744	5.931	7.567
25.000	25.626	8.524	16.600	4.070	6.447	8.225
27.000	27.676	9.206	17.928	4.396	6.963	8.883
29.000	29.726	9.888	19.256	4.722	7.479	9.541
31.000	31.776	10.570	20.584	5.048	7.995	10.199
33.000	33.826	11.252	21.912	5.374	8.511	10.857
35.000	35.876	11.934	23.240	5.700	9.027	11.515
37.000	37.926	12.616	24.568	6.026	9.543	12.173
39.000	39.976	13.298	25.896	6.352	10.059	12.831
41.000	42.026	13.980	27.224	6.678	10.575	13.489
43.000	44.076	14.662	28.552	7.004	11.091	14.147
45.000	46.126	15.344	29.880	7.330	11.607	14.805
47.000	48.176	16.026	31.208	7.656	12.123	15.463

CONSTANT:

2.000	2.050	0.682	1.328	0.326	0.516	0.658
-------	-------	-------	-------	-------	-------	-------

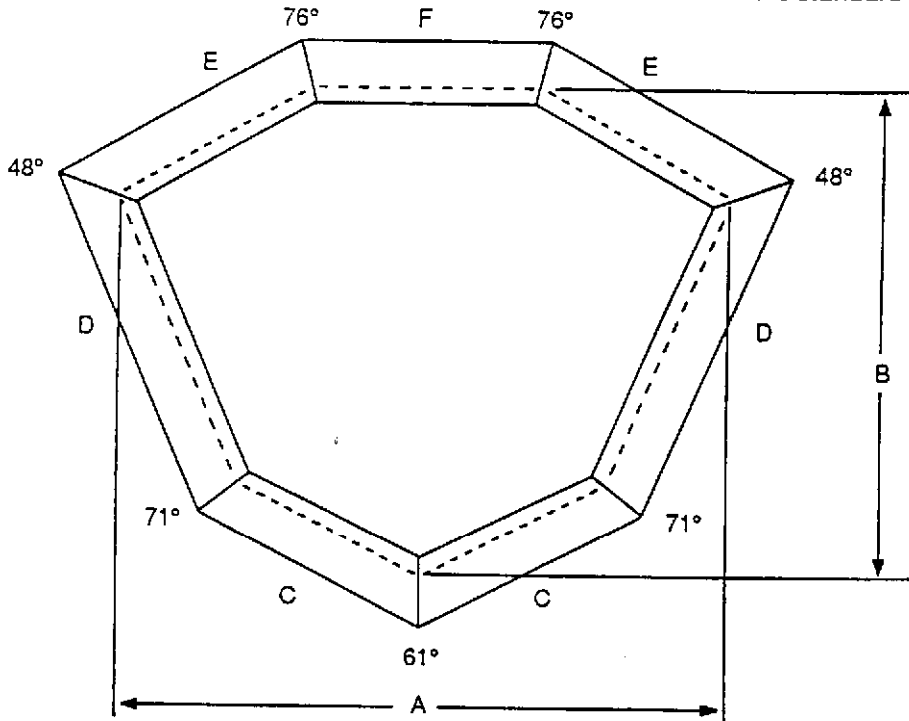
## Coat of Arms 2

Angle Settings: 48.0°, 61.0°, 71.0° & 76.0°

A & B - Overall picture area including rabbet

C, D, E & F - Length of cut

*NOTE: Measurements are graduated in 2" increments instead of the standard 1" increments*



	A	B	C	D	E	F
4.000	3.464	1.394	2.103	1.635	1.112	
6.000	5.196	2.094	3.161	2.453	1.668	
8.000	6.928	2.794	4.219	3.271	2.224	
10.000	8.660	3.494	5.277	4.089	2.780	
12.000	10.392	4.194	6.335	4.907	3.336	
14.000	12.124	4.894	7.393	5.725	3.892	
16.000	13.856	5.594	8.451	6.543	4.448	
18.000	15.588	6.294	9.509	7.361	5.004	
20.000	17.320	6.994	10.567	8.179	5.560	
22.000	19.052	7.694	11.625	8.997	6.116	
24.000	20.784	8.394	12.683	9.815	6.672	
26.000	22.516	9.094	13.741	10.633	7.228	
28.000	24.248	9.794	14.799	11.451	7.784	
30.000	25.980	10.494	15.857	12.269	8.340	
32.000	27.712	11.194	16.915	13.087	8.896	
34.000	29.444	11.894	17.973	13.905	9.452	
36.000	31.176	12.594	19.031	14.723	10.008	
38.000	32.908	13.294	20.089	15.541	10.564	
40.000	34.640	13.994	21.147	16.359	11.120	
42.000	36.372	14.694	22.205	17.177	11.676	
44.000	38.104	15.394	23.263	17.995	12.232	
46.000	39.836	16.094	24.321	18.813	12.788	
48.000	41.568	16.794	25.379	19.631	13.344	

CONSTANT:

2.000	1.732	0.700	1.058	0.818	0.556
-------	-------	-------	-------	-------	-------

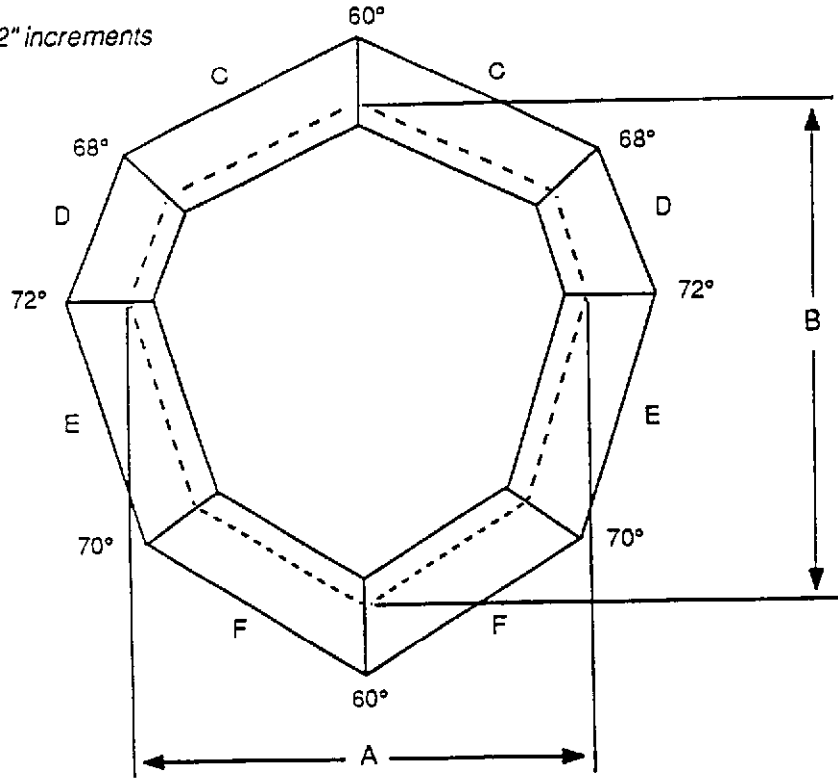
### Coat of Arms 3

Angle Settings: 60.0°, 68.0°, 70.0° & 72.0°

A & B - Overall picture area including rabbet

C, D, E & F - Length of cut

NOTE: Measurements are graduated in 2" increments instead of the standard 1" increments.



	A	B	C	D	E	F
	3.000	3.450	1.457	0.802	1.615	1.095
	5.000	5.868	2.429	1.360	2.691	1.823
	7.000	8.286	3.401	1.918	3.767	2.551
	9.000	10.704	4.373	2.476	4.843	3.279
	11.000	13.122	5.345	3.034	5.919	4.007
	13.000	15.540	6.317	3.592	6.995	4.735
	15.000	17.958	7.289	4.150	8.071	5.463
	17.000	20.376	8.261	4.708	9.147	6.191
	19.000	22.794	9.233	5.266	10.223	6.919
	21.000	25.212	10.205	5.824	11.299	7.647
	23.000	27.630	11.177	6.382	12.375	8.375
	25.000	30.048	12.149	6.940	13.451	9.103
	27.000	32.466	13.121	7.498	14.527	9.831
	29.000	34.884	14.093	8.056	15.603	10.559
	31.000	37.302	15.065	8.614	16.679	11.287
	33.000	39.720	16.037	9.172	17.755	12.015
	35.000	42.138	17.009	9.730	18.831	12.743
	37.000	44.556	17.981	10.288	19.907	13.471
	39.000	46.974	18.953	10.846	20.983	14.199
	41.000	49.392	19.925	11.404	22.059	14.927
	43.000	51.810	20.897	11.962	23.135	15.655
	45.000	54.228	21.869	12.520	24.211	16.383
	47.000	56.646	22.841	13.078	25.287	17.111

CONSTANT:

2.000	2.418	0.972	0.558	1.076	0.728
-------	-------	-------	-------	-------	-------

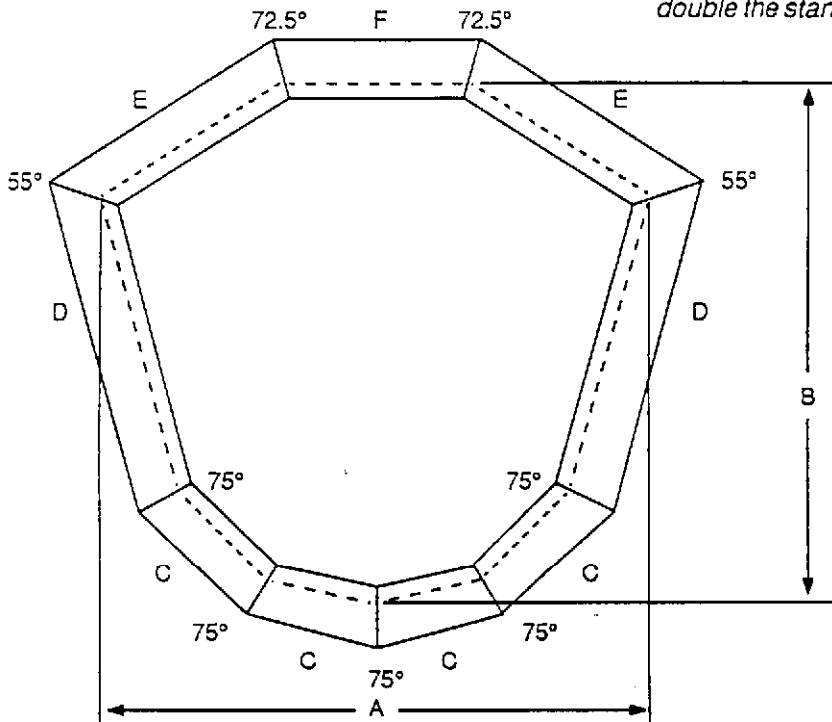
## Coat of Arms 4

Angle Settings: 55.0°, 72.5° & 75.0°

A & B - Overall picture area including rabbet

C, D, E & F - Length of cut

NOTE: Measurements are graduated in increments double the standard in the remainder of this guide.



A	B	C	D	E	F
4.000	3.760	0.915	2.086	1.921	0.792
6.072	5.728	1.373	3.128	2.763	1.496
8.144	7.696	1.831	4.170	3.605	2.200
10.216	9.664	2.289	5.212	4.447	2.904
12.288	11.632	2.747	6.254	5.289	3.608
14.360	13.600	3.205	7.296	6.131	4.312
16.432	15.568	3.663	8.338	6.973	5.016
18.504	17.536	4.121	9.380	7.815	5.720
20.576	19.504	4.579	10.422	8.657	6.424
22.648	21.472	5.037	11.464	9.499	7.128
24.720	23.440	5.495	12.506	10.341	7.832
26.792	25.408	5.953	13.548	11.183	8.536
28.864	27.376	6.411	14.590	12.025	9.240
30.936	29.344	6.869	15.632	12.867	9.944
33.008	31.312	7.327	16.674	13.709	10.648
35.080	33.280	7.785	17.716	14.551	11.352
37.152	35.248	8.243	18.758	15.393	12.056
39.224	37.216	8.701	19.800	16.235	12.760
41.296	39.184	9.159	20.842	17.077	13.464
43.368	41.152	9.617	21.884	17.919	14.168
45.440	43.120	10.075	22.926	18.761	14.872
47.512	45.088	10.533	23.968	19.603	15.576
49.584	47.056	10.991	25.010	20.445	16.280

CONSTANT:

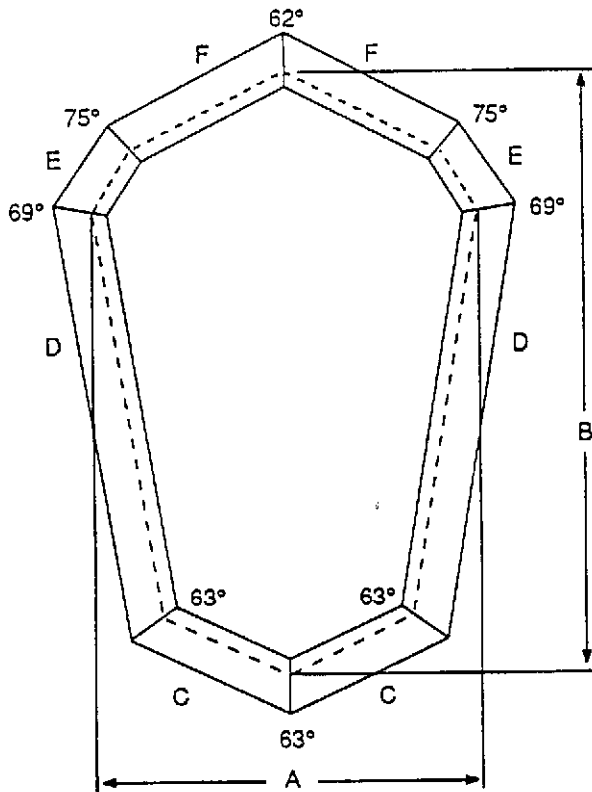
2.072	1.968	0.458	1.042	0.842	0.704
-------	-------	-------	-------	-------	-------

# Coat of Arms 5

Angle Settings: 62.0°, 63.0°, 69° & 75.0°

A & B - Overall picture area including rabbet

C, D, E & F - Length of cut



	A	B	C	D	E	F
3.000	4.616	1.149	3.051	0.573	1.313	
4.000	6.155	1.531	4.067	0.764	1.750	
5.000	7.694	1.913	5.083	0.955	2.187	
6.000	9.233	2.295	6.099	1.146	2.624	
7.000	10.772	2.677	7.115	1.337	3.061	
8.000	12.311	3.059	8.131	1.528	3.498	
9.000	13.850	3.441	9.147	1.719	3.935	
10.000	15.389	3.823	10.163	1.910	4.372	
11.000	16.928	4.205	11.179	2.101	4.809	
12.000	18.467	4.587	12.195	2.292	5.246	
13.000	20.006	4.969	13.211	2.483	5.683	
14.000	21.545	5.351	14.227	2.674	6.120	
15.000	23.084	5.733	15.243	2.865	6.557	
16.000	24.623	6.115	16.259	3.056	6.994	
17.000	26.162	6.497	17.275	3.247	7.431	
18.000	27.701	6.879	18.291	3.438	7.868	
19.000	29.240	7.261	19.307	3.629	8.305	
20.000	30.779	7.643	20.323	3.820	8.742	
21.000	32.318	8.025	21.339	4.011	9.179	
22.000	33.857	8.407	22.355	4.202	9.616	
23.000	35.396	8.789	23.371	4.393	10.053	
24.000	36.935	9.171	24.387	4.584	10.490	
25.000	38.474	9.553	25.403	4.775	10.927	
26.000	40.013	9.935	26.419	4.966	11.364	
27.000	41.552	10.317	27.435	5.157	11.801	
28.000	43.091	10.699	28.451	5.348	12.238	
29.000	44.630	11.081	29.467	5.539	12.675	
30.000	46.169	11.463	30.483	5.730	13.112	
31.000	47.708	11.845	31.499	5.921	13.549	
32.000	49.247	12.227	32.515	6.112	13.986	

CONSTANT:

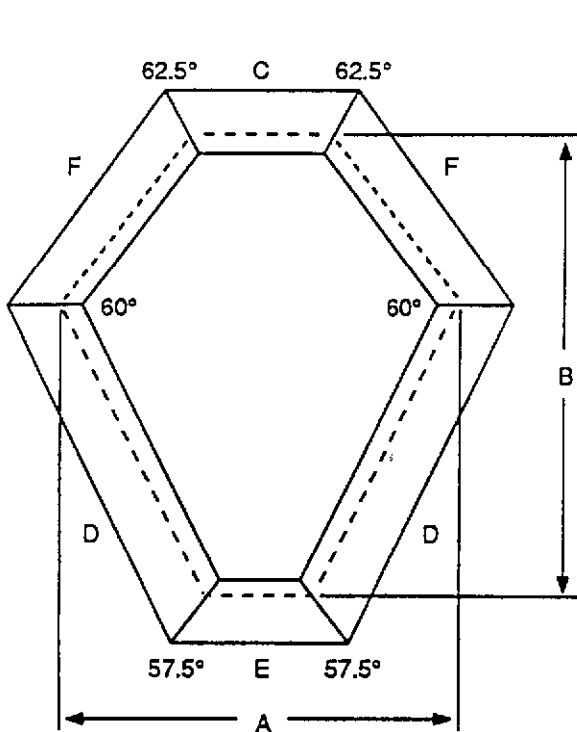
1.000	1.539	0.382	1.016	0.191	0.437
-------	-------	-------	-------	-------	-------

## Marquis Coat of Arms

Angle Settings: 57.5°, 60.0° & 62.5°

A & B - Overall picture area including rabbet

C, D, E & F - Length of cut



A	B	C	D	E	F
3.000	3.575	1.174	2.536	0.891	1.592
4.000	4.782	1.566	3.381	1.189	2.123
5.000	5.989	1.958	4.226	1.485	2.654
6.000	7.196	2.350	5.071	1.782	3.185
7.000	8.403	2.742	5.916	2.079	3.716
8.000	9.610	3.134	6.761	2.376	4.247
9.000	10.817	3.526	7.606	2.673	4.778
10.000	12.024	3.918	8.451	2.970	5.309
11.000	13.231	4.310	9.296	3.267	5.840
12.000	14.438	4.702	10.141	3.564	6.371
13.000	15.645	5.094	10.986	3.861	6.902
14.000	16.852	5.486	11.831	4.158	7.433
15.000	18.059	5.878	12.676	4.455	7.964
16.000	19.266	6.270	13.521	4.752	8.495
17.000	20.473	6.662	14.366	5.049	9.026
18.000	21.680	7.054	15.211	5.346	9.557
19.000	22.887	7.446	16.056	5.643	10.088
20.000	24.094	7.838	16.901	5.940	10.619
21.000	25.301	8.230	17.746	6.237	11.150
22.000	26.508	8.622	18.591	6.534	11.681
23.000	27.715	9.014	19.436	6.831	12.212
24.000	28.922	9.406	20.281	7.128	12.743
25.000	30.129	9.798	21.126	7.425	13.274
26.000	31.336	10.190	21.971	7.722	13.805
27.000	32.543	10.582	22.816	8.019	14.336
28.000	33.750	10.974	23.661	8.316	14.867
29.000	34.957	11.366	24.506	8.613	15.398
30.000	36.164	11.758	25.351	8.910	15.929
31.000	37.371	12.150	26.196	9.207	16.460
32.000	38.578	12.542	27.041	9.504	16.991
33.000	39.785	12.934	27.886	9.801	17.522
34.000	40.992	13.326	28.731	10.098	18.053
35.000	42.199	13.718	29.576	10.395	18.584
36.000	43.406	14.110	30.421	10.692	19.115
37.000	44.613	14.502	31.266	10.989	19.646
38.000	45.820	14.894	32.111	11.286	20.177
39.000	47.027	15.286	32.956	11.583	20.708
40.000	48.234	15.678	33.801	11.880	21.239
41.000	49.441	16.070	34.646	12.177	21.770
42.000	50.648	16.462	35.491	12.474	22.301
43.000	51.855	16.854	36.336	12.771	22.832
44.000	53.062	17.246	37.181	13.068	23.363
45.000	54.269	17.638	38.026	13.365	23.894
46.000	55.476	18.030	38.871	13.662	24.425
47.000	56.683	18.422	39.716	13.959	24.956
48.000	57.890	18.814	40.561	14.256	25.487

CONSTANT:

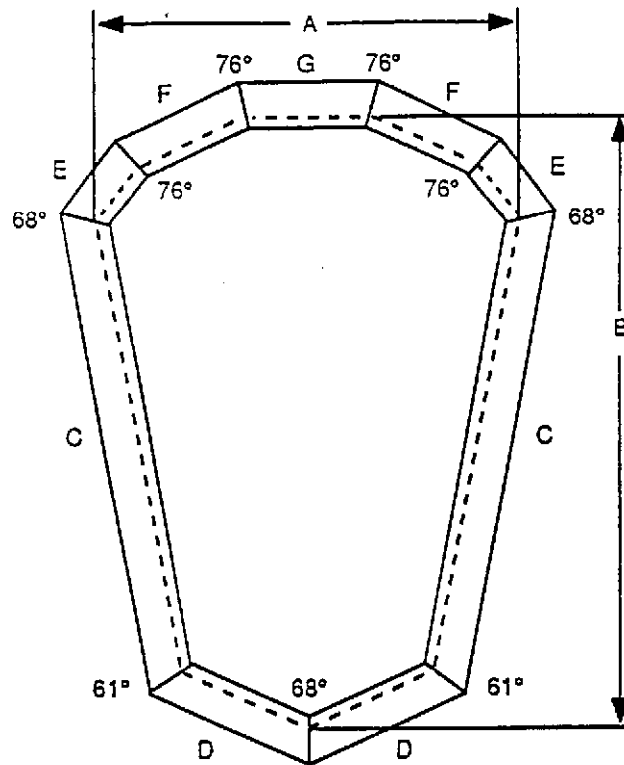
1.000	1.207	0.392	0.845	0.297	0.531
-------	-------	-------	-------	-------	-------

# Coat of Arms 6

Angle Settings: 61.0°, 68.0° & 76.0°

A & B - Overall picture area including rabbet

C, D, E, F & G - Length of cut



A	B	C	D	E	F	G
3.000	4.907	3.719	1.076	0.585	0.897	0.808
4.000	6.542	4.960	1.434	0.780	1.195	1.077
5.000	8.177	6.201	1.792	0.975	1.493	1.346
6.000	9.812	7.442	2.150	1.170	1.791	1.615
7.000	11.447	8.683	2.508	1.365	2.089	1.884
8.000	13.082	9.924	2.866	1.560	2.387	2.153
9.000	14.717	11.165	3.224	1.755	2.685	2.422
10.000	16.352	12.406	3.582	1.950	2.983	2.691
11.000	17.987	13.647	3.940	2.145	3.281	2.960
12.000	19.622	14.888	4.298	2.340	3.579	3.229
13.000	21.257	16.129	4.656	2.535	3.877	3.498
14.000	22.892	17.370	5.014	2.730	4.175	3.767
15.000	24.527	18.611	5.372	2.925	4.473	4.036
16.000	26.162	19.852	5.730	3.120	4.771	4.305
17.000	27.797	21.093	6.088	3.315	5.069	4.574
18.000	29.432	22.334	6.446	3.510	5.367	4.843
19.000	31.067	23.575	6.804	3.705	5.665	5.112
20.000	32.702	24.816	7.162	3.900	5.963	5.381
21.000	34.337	26.057	7.520	4.095	6.261	5.650
22.000	35.972	27.298	7.878	4.290	6.559	5.919
23.000	37.607	28.539	8.236	4.485	6.857	6.188
24.000	39.242	29.780	8.594	4.680	7.155	6.457
25.000	40.877	31.021	8.952	4.875	7.453	6.726
26.000	42.512	32.262	9.310	5.070	7.751	6.995
27.000	44.147	33.503	9.668	5.265	8.049	7.264
28.000	45.782	34.744	10.026	5.460	8.347	7.533
29.000	47.417	35.985	10.384	5.655	8.645	7.802
30.000	49.052	37.226	10.742	5.850	8.943	8.071

CONSTANT:

1.000	1.635	1.241	0.358	0.195	0.298	0.269
-------	-------	-------	-------	-------	-------	-------

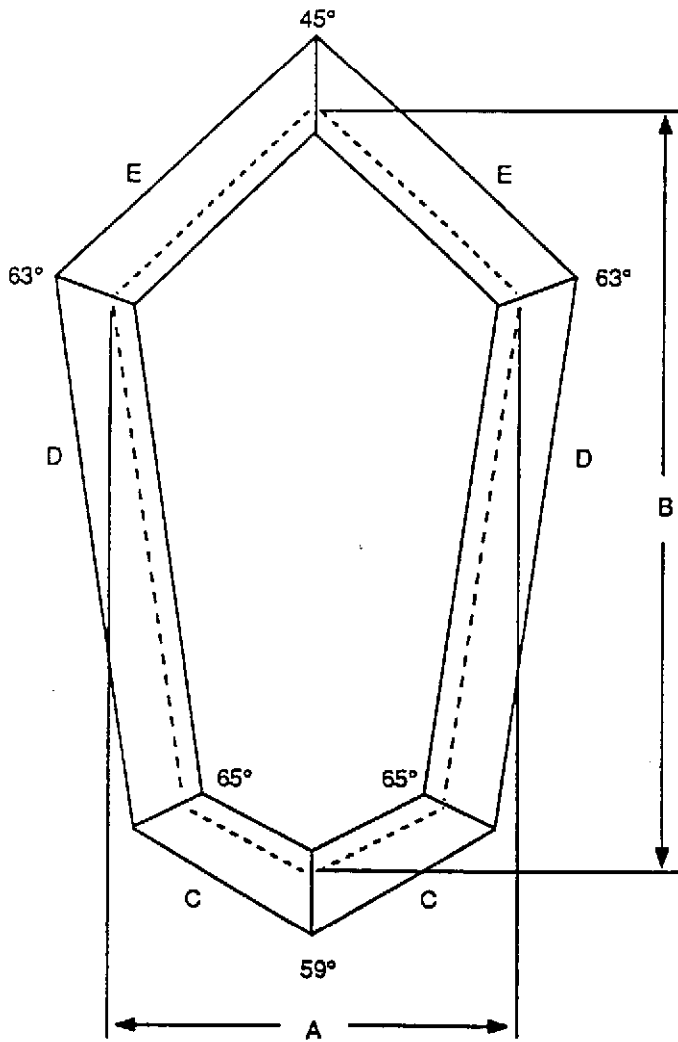


## Arrow Head 1

Angle Settings: 45.0°, 59.0°, 63.0° & 65.0°

A & B - Overall picture area including rabbet

C, D & E - Length of cut



A	B	C	D	E
3.000	5.598	1.190	3.525	2.121
4.000	7.464	1.587	4.700	2.828
5.000	9.330	1.984	5.875	3.535
6.000	11.196	2.381	7.050	4.242
7.000	13.062	2.778	8.225	4.949
8.000	14.928	3.175	9.400	5.656
9.000	16.794	3.572	10.575	6.363
10.000	18.660	3.969	11.750	7.070
11.000	20.526	4.366	12.925	7.777
12.000	22.392	4.763	14.100	8.484
13.000	24.258	5.160	15.275	9.191
14.000	26.124	5.557	16.450	9.898
15.000	27.990	5.954	17.625	10.605
16.000	29.856	6.351	18.800	11.312
17.000	31.722	6.748	19.975	12.019
18.000	33.588	7.145	21.150	12.726
19.000	35.454	7.542	22.325	13.433
20.000	37.320	7.939	23.500	14.140
21.000	39.186	8.336	24.675	14.847
22.000	41.052	8.733	25.850	15.554
23.000	42.918	9.130	27.025	16.261
24.000	44.784	9.527	28.200	16.968
25.000	46.650	9.924	29.375	17.675
26.000	48.516	10.321	30.550	18.382

CONSTANT:

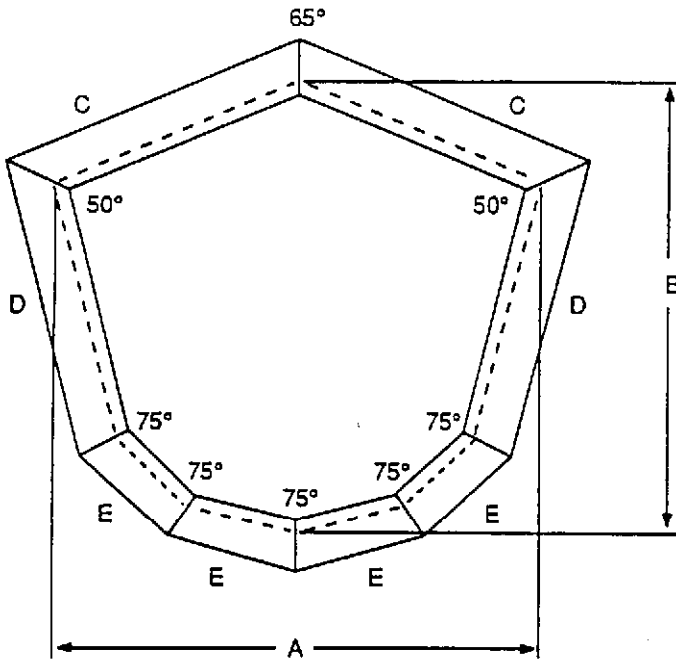
1.000	1.866	0.397	1.175	0.707
-------	-------	-------	-------	-------

# Arrow Head 2

Angle Settings: 50.0°, 65.0° & 75.0°

A & B - Overall picture area including rabbet

C, D & E - Length of cut



	A	B	C	D	E
	4.000	3.762	2.190	2.086	1.005
	5.000	4.702	2.737	2.607	1.256
	6.000	5.642	3.284	3.128	1.507
	7.000	6.582	3.831	3.649	1.758
	8.000	7.522	4.378	4.170	2.009
	9.000	8.462	4.925	4.691	2.260
	10.000	9.402	5.472	5.212	2.511
	11.000	10.342	6.019	5.733	2.762
	12.000	11.282	6.566	6.254	3.013
	13.000	12.222	7.113	6.775	3.264
	14.000	13.162	7.660	7.296	3.515
	15.000	14.102	8.207	7.817	3.766
	16.000	15.042	8.754	8.338	4.017
	17.000	15.982	9.301	8.859	4.268
	18.000	16.922	9.848	9.380	4.519
	19.000	17.862	10.395	9.901	4.770
	20.000	18.802	10.942	10.442	5.021
	21.000	19.742	11.489	10.943	5.272
	22.000	20.682	12.036	11.464	5.523
	23.000	21.622	12.583	11.985	5.774
	24.000	22.562	13.130	12.506	6.025
	25.000	23.502	13.677	13.027	6.276
	26.000	24.442	14.224	13.548	6.527
	27.000	25.382	14.771	14.069	6.778
	28.000	26.322	15.318	14.590	7.029
	29.000	27.262	15.865	15.111	7.280
	30.000	28.202	16.412	15.632	7.531
	31.000	29.142	16.959	16.153	7.782
	32.000	30.082	17.506	16.674	8.033
	33.000	31.022	18.053	17.195	8.284
	34.000	31.962	18.600	17.716	8.535
	35.000	32.902	19.147	18.237	8.786
	36.000	33.842	19.694	18.758	9.037
	37.000	34.782	20.241	19.279	9.288
	38.000	35.722	20.788	19.800	9.539
	39.000	36.662	21.335	20.321	9.790
	40.000	37.602	21.882	20.842	10.041
	41.000	38.542	22.429	21.363	10.292
	42.000	39.482	22.976	21.884	10.543
	43.000	40.422	23.523	22.405	10.794
	44.000	41.362	24.070	22.926	11.045
	45.000	42.302	24.617	23.447	11.296
	46.000	43.242	25.164	23.968	11.547
	47.000	44.182	25.711	24.489	11.798
	48.000	45.122	26.258	25.010	12.049

CONSTANT:

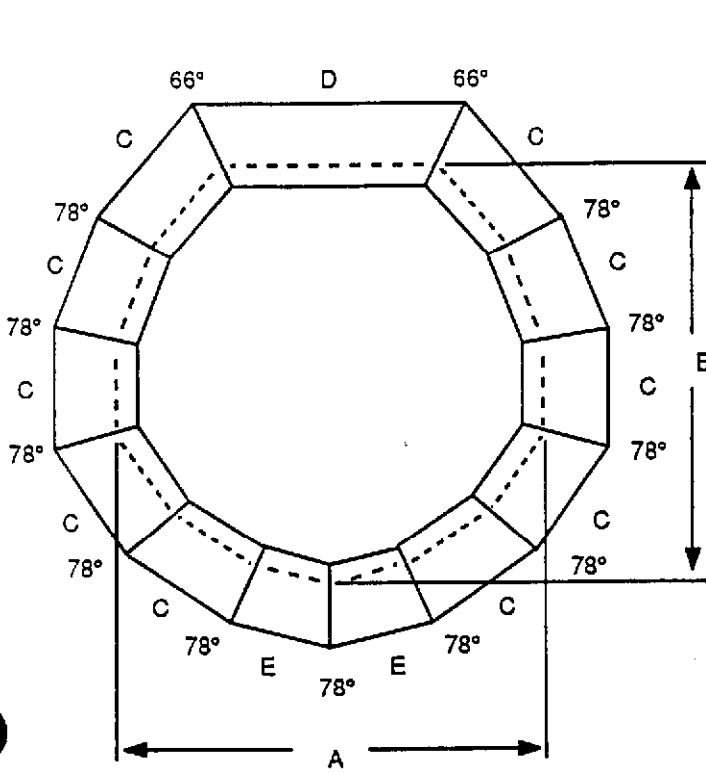
1.000	0.940	0.547	0.521	0.251
-------	-------	-------	-------	-------

# Horse Shoe 1

Angle Settings: 66.0° & 78°

A & B - Overall picture area including rabbet

C, D & E - Length of cut



	A	B	C	D	E
	3.591	4.575	1.340	1.842	0.058
	4.821	5.800	1.708	2.682	0.277
	6.051	7.025	2.076	3.522	0.496
	7.281	8.250	2.444	4.362	0.715
	8.511	9.475	2.812	5.202	0.934
	9.741	10.700	3.180	6.042	1.153
	10.971	11.925	3.548	6.882	1.372
	12.201	13.150	3.916	7.722	1.591
	13.431	14.375	4.284	8.562	1.810
	14.661	15.600	4.652	9.402	2.029
	15.891	16.825	5.020	10.242	2.248
	17.121	18.050	5.388	11.082	2.467
	18.351	19.275	5.756	11.922	2.686
	19.581	20.500	6.124	12.762	2.905
	20.811	21.725	6.492	13.602	3.124
	22.041	22.950	6.860	14.442	3.343
	23.271	24.175	7.228	15.282	3.562
	24.501	25.400	7.596	16.122	3.781
	25.731	26.625	7.964	16.962	4.000
	26.961	27.850	8.332	17.802	4.219
	28.191	29.075	8.700	18.642	4.438
	29.421	30.300	9.068	19.482	4.657
	30.651	31.525	9.436	20.322	4.876
	31.881	32.750	9.804	21.162	5.095
	33.111	33.975	10.172	22.002	5.314
	34.341	35.200	10.540	22.842	5.533
	35.571	36.425	10.908	23.682	5.752
	36.801	37.650	11.276	24.522	5.971
	38.031	38.875	11.644	25.362	6.190
	39.261	40.100	12.012	26.202	6.409
	40.491	41.325	12.380	27.042	6.628
	41.721	42.550	12.748	27.882	6.847
	42.951	43.775	13.116	28.722	7.066
	44.181	45.000	13.484	29.562	7.285
	45.411	46.225	13.852	30.402	7.504
	46.641	47.450	14.220	31.242	7.723
	47.871	48.675	14.588	32.082	7.942

CONSTANT:

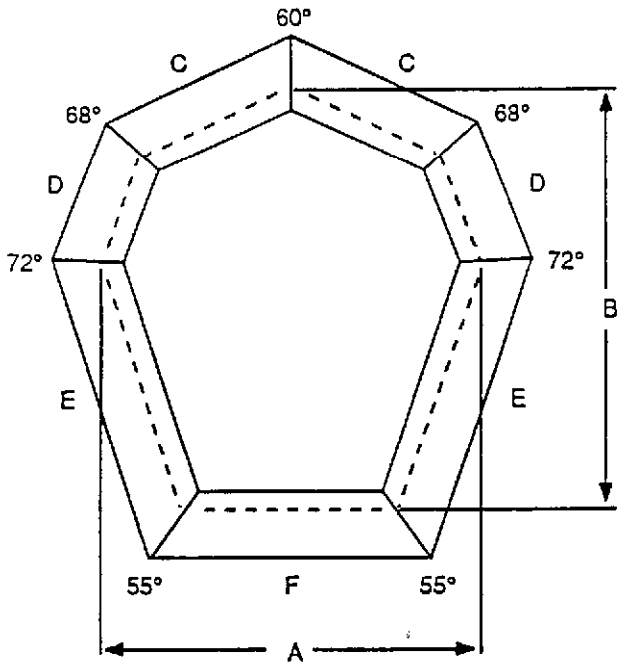
1.230	1.225	0.368	0.840	0.219
-------	-------	-------	-------	-------

## Horse Shoe 2

Angle Settings: 55.0°, 60.0°, 68.0° & 72.0°

A & B - Overall picture area including rabbet

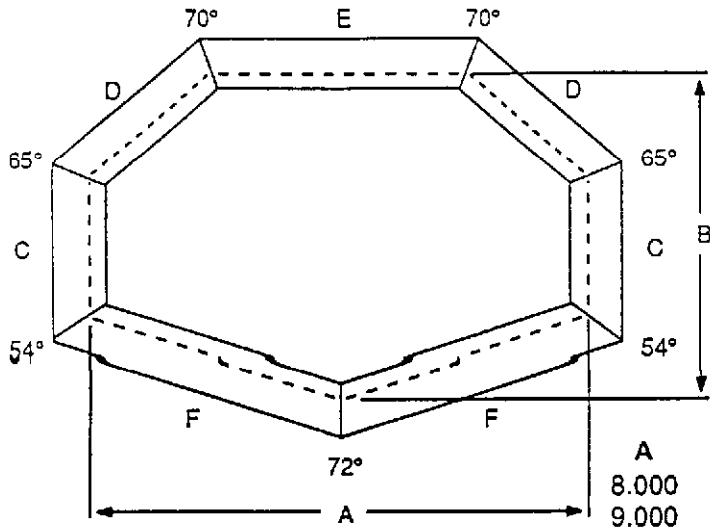
C, D, E & F - Length of cut



	A	B	C	D	E	F
	3.000	3.712	1.483	0.925	2.049	1.594
	4.013	4.883	1.962	1.234	2.733	2.126
	5.026	6.054	2.441	1.543	3.417	2.658
	6.039	7.225	2.920	1.852	4.101	3.190
	7.052	8.396	3.399	2.161	4.785	3.722
	8.065	9.567	3.878	2.470	5.469	4.254
	9.078	10.738	4.357	2.779	6.153	4.786
	10.091	11.909	4.836	3.088	6.837	5.318
	11.104	13.080	5.315	3.397	7.521	5.850
	12.117	14.251	5.794	3.706	8.205	6.382
	13.130	15.422	6.273	4.015	8.889	6.914
	14.143	16.593	6.752	4.324	9.573	7.446
	15.156	17.764	7.231	4.633	10.257	7.978
	16.169	18.935	7.710	4.942	10.941	8.510
	17.182	20.106	8.189	5.251	11.625	9.042
	18.195	21.277	8.668	5.560	12.309	9.574
	19.208	22.448	9.147	5.869	12.993	10.106
	20.221	23.619	9.626	6.178	13.677	10.638
	21.234	24.790	10.105	6.487	14.361	11.170
	22.247	25.961	10.584	6.796	15.045	11.702
	23.260	27.132	11.063	7.105	15.729	12.234
	24.273	28.303	11.542	7.414	16.413	12.766
	25.286	29.474	12.021	7.723	17.097	13.298
	26.299	30.645	12.500	8.032	17.781	13.830
	27.312	31.816	12.979	8.341	18.465	14.362
	28.325	32.987	13.458	8.650	19.149	14.894
	29.338	34.158	13.937	8.959	19.833	15.426
	30.351	35.329	14.416	9.268	20.517	15.958
	31.364	36.500	14.895	9.577	21.201	16.490
	32.377	37.671	15.374	9.886	21.885	17.022
	33.390	38.842	15.853	10.195	22.569	17.554
	34.403	40.013	16.332	10.504	23.253	18.086
	35.416	41.184	16.811	10.813	23.937	18.618
	36.429	42.355	17.290	11.122	24.621	19.150
	37.442	43.526	17.769	11.431	25.305	19.682
	38.455	44.697	18.248	11.740	25.989	20.214
	39.468	45.868	18.727	12.049	26.673	20.746
	40.481	47.039	19.206	12.358	27.357	21.278
	41.494	48.210	19.685	12.667	28.041	21.810

CONSTANT:

1.013	1.171	0.479	0.309	0.684	0.532
-------	-------	-------	-------	-------	-------



## Fan Shape

Angle Settings: 54.0°, 65.0°, 70.0° & 72.0°

A & B - Overall picture area including rabbet

C, D, E & F - Length of cut

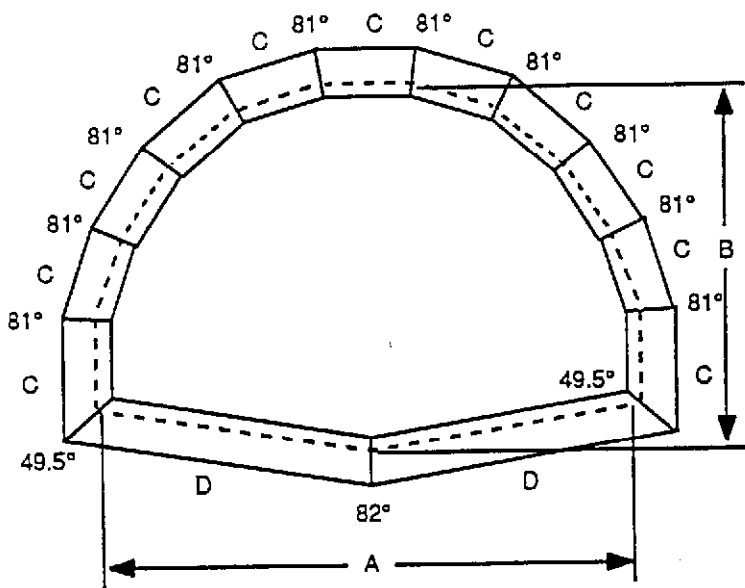
	A	B	C	D	E	F
8.000	4.500	2.000	2.000	4.939	4.212	
9.000	5.500	2.500	2.500	5.173	4.737	
10.000	6.500	3.000	3.000	5.407	5.262	
11.000	7.500	3.500	3.500	5.641	5.787	
12.000	8.500	4.000	4.000	5.875	6.312	
13.000	9.500	4.500	4.500	6.109	6.837	
14.000	10.500	5.000	5.000	6.343	7.362	
15.000	11.500	5.500	5.500	6.577	7.887	
16.000	12.500	6.000	6.000	6.811	8.412	
17.000	13.500	6.500	6.500	7.045	8.937	
18.000	14.500	7.000	7.000	7.279	9.462	
19.000	15.500	7.500	7.500	7.513	9.987	
20.000	16.500	8.000	8.000	7.747	10.512	
21.000	17.500	8.500	8.500	7.981	11.037	
22.000	18.500	9.000	9.000	8.215	11.562	
23.000	19.500	9.500	9.500	8.449	12.087	
24.000	20.500	10.000	10.000	8.683	12.612	
25.000	21.500	10.500	10.500	8.917	13.137	
26.000	22.500	11.000	11.000	9.151	13.662	
27.000	23.500	11.500	11.500	9.385	14.187	
28.000	24.500	12.000	12.000	9.619	14.712	
29.000	25.500	12.500	12.500	9.853	15.237	
30.000	26.500	13.000	13.000	10.087	15.762	
31.000	27.500	13.500	13.500	10.321	16.287	
32.000	28.500	14.000	14.000	10.555	16.812	
33.000	29.500	14.500	14.500	10.789	17.337	
34.000	30.500	15.000	15.000	11.023	17.862	
35.000	31.500	15.500	15.500	11.257	18.387	
36.000	32.500	16.000	16.000	11.491	18.912	
37.000	33.500	16.500	16.500	11.725	19.437	
38.000	34.500	17.000	17.000	11.959	19.962	
39.000	35.500	17.500	17.500	12.193	20.487	
40.000	36.500	18.000	18.000	12.427	21.012	
41.000	37.500	18.500	18.500	12.661	21.537	
42.000	38.500	19.000	19.000	12.895	22.062	
43.000	39.500	19.500	19.500	13.129	22.587	
44.000	40.500	20.000	20.000	13.363	23.112	
45.000	41.500	20.500	20.500	13.597	23.637	
46.000	42.500	21.000	21.000	13.831	24.162	
47.000	43.500	21.500	21.500	14.065	24.687	
48.000	44.500	22.000	22.000	14.299	25.212	
CONSTANT:						
1.000	1.000	0.500	0.500	0.234	0.525	

# 81° Fan Frame

Angle Settings: 49.5°, 81.0° & 82°

A & B - Overall picture area including rabbet

C & D - Length of cuts



	A	B	C	D
	5.000	3.318	0.779	2.539
	6.006	3.963	0.935	3.047
	7.012	4.608	1.091	3.555
	8.018	5.253	1.247	4.063
	9.024	5.898	1.403	4.571
	10.030	6.543	1.559	5.079
	11.036	7.118	1.715	5.587
	12.042	7.833	1.871	6.095
	13.048	8.478	2.027	6.603
	14.054	9.123	2.283	7.111
	15.060	9.768	2.339	7.619
	16.066	10.413	2.495	8.127
	17.072	11.058	2.651	8.635
	18.078	11.703	2.807	9.143
	19.084	12.348	2.963	9.651
	20.090	12.993	3.119	10.159
	21.096	13.638	3.275	10.667
	22.102	14.283	3.431	11.175
	23.108	14.928	3.587	11.683
	24.114	15.573	3.743	12.191
	25.120	16.218	3.889	12.699
	26.126	16.863	4.055	13.207
	27.132	17.508	4.211	13.715
	28.138	18.153	4.367	14.223
	29.144	18.798	4.523	14.731
	30.150	19.443	4.679	15.239
	31.156	20.088	4.835	15.747
	32.162	20.733	4.991	16.255
	33.168	21.378	5.147	16.763
	34.174	22.023	5.303	17.271
	35.180	22.668	5.459	17.779
	36.186	23.313	5.615	18.287
	37.192	23.958	5.771	18.795
	38.198	24.603	5.927	19.303
	39.204	24.248	6.083	19.811
	40.210	25.893	6.239	20.319
	41.216	26.538	6.395	20.827
	42.222	27.183	6.551	21.335
	43.228	27.828	6.707	21.843
	44.234	28.473	6.863	22.351
	45.240	29.118	7.019	22.859
	46.246	29.763	7.175	23.367
	47.252	30.408	7.331	23.875
	48.258	31.053	7.487	24.383

CONSTANT:

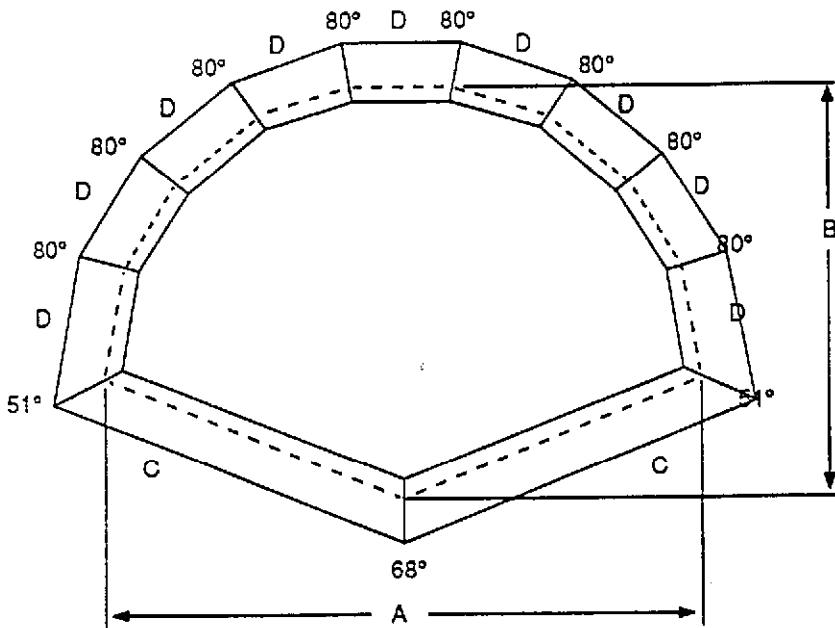
1.006	0.645	0.156	0.508
-------	-------	-------	-------

## Fan Shape 2

Angle Settings: 51.0°, 68.0° & 80.0°

A & B - Overall picture area including rabbet

C & D - Length of cut



A	B	C	D
5.000	3.441	2.696	0.869
6.000	4.139	3.235	1.043
7.000	4.837	3.774	1.217
8.000	5.535	4.313	1.391
9.000	6.233	4.852	1.565
10.000	6.931	5.391	1.739
11.000	7.629	5.930	1.913
12.000	8.327	6.469	2.087
13.000	9.025	7.008	2.261
14.000	9.723	7.547	2.435
15.000	10.421	8.086	2.609
16.000	11.119	8.625	2.783
17.000	11.817	9.164	2.957
18.000	12.515	9.703	3.131
19.000	13.213	10.242	3.305
20.000	13.911	10.781	3.479
21.000	14.609	11.320	3.653
22.000	15.307	11.859	3.827
23.000	16.005	12.398	4.001
24.000	16.703	12.937	4.175
25.000	17.401	13.476	4.349
26.000	18.099	14.015	4.523
27.000	18.797	14.554	4.697
28.000	19.495	15.093	4.871
29.000	20.193	15.632	5.045
30.000	20.891	16.171	5.219
31.000	21.589	16.710	5.393
32.000	22.287	17.249	5.567
33.000	22.985	17.788	5.741
34.000	23.683	18.327	5.915
35.000	24.381	18.866	6.089
36.000	25.079	19.405	6.263
37.000	25.777	19.944	6.437
38.000	26.475	20.483	6.611
39.000	27.173	21.022	6.785
40.000	27.871	21.561	6.959
41.000	28.569	22.100	7.133
42.000	29.267	22.639	7.307
43.000	29.965	23.178	7.481
44.000	30.663	23.717	7.655
45.000	31.361	24.256	7.829
46.000	32.059	24.795	8.003
47.000	32.757	25.334	8.177
48.000	33.455	25.873	8.351

CONSTANT:

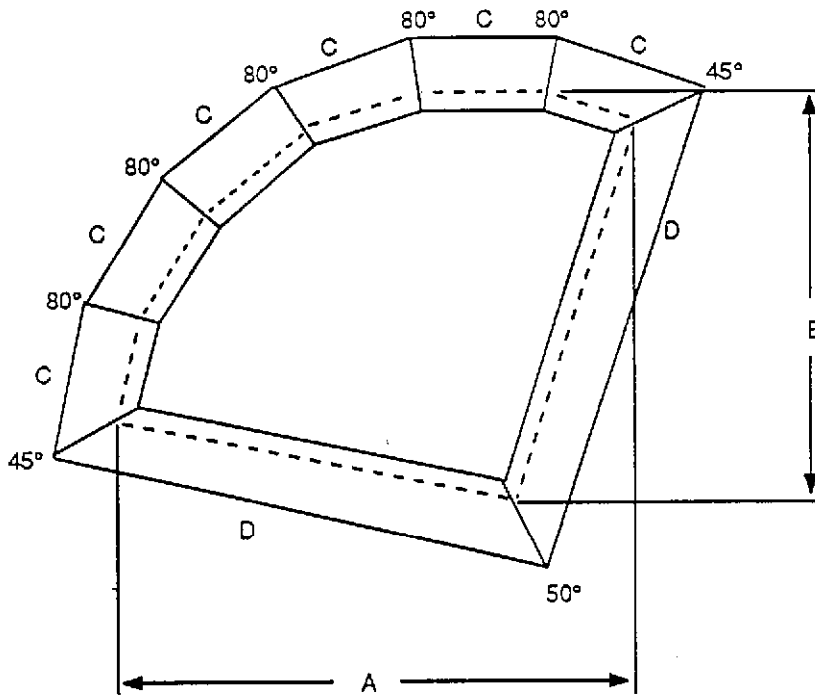
1.000	0.698	0.539	0.174
-------	-------	-------	-------

# Partial Fan Cage

Angle Settings: 45.0°, 50.0° & 80.0°

A & B - Overall picture area including rabbet

C & D - Length of cut



A	B	C	D
4.312	3.125	0.844	2.812
5.083	3.661	1.000	3.312
5.854	4.197	1.156	3.812
6.625	4.733	1.312	4.312
7.396	5.269	1.468	4.812
8.167	5.805	1.624	5.312
8.938	6.341	1.780	5.812
9.709	6.877	1.936	6.312
10.480	7.413	2.092	6.812
11.251	7.949	2.248	7.312
12.022	8.485	2.404	7.812
12.793	9.021	2.560	8.312
13.564	9.557	2.716	8.812
14.335	10.093	2.872	9.312
15.106	10.629	3.028	9.812
15.877	11.165	3.184	10.312
16.648	11.701	3.340	10.812
17.419	12.237	3.496	11.312
18.190	12.773	3.652	11.812
18.961	13.309	3.808	12.312
19.732	13.845	3.964	12.812
20.503	14.381	4.120	13.312
21.274	14.917	4.276	13.812
22.045	15.453	4.432	14.312
22.816	15.989	4.588	14.812
23.587	16.525	4.744	15.312
24.358	17.061	4.900	15.812
25.129	17.597	5.056	16.312
25.900	18.133	5.212	16.812
26.671	18.669	5.368	17.312
27.442	19.205	5.524	17.812
28.213	19.741	5.680	18.312
28.984	20.277	5.836	18.812
29.755	20.813	5.992	19.312
30.526	21.349	6.148	19.812
31.297	21.885	6.304	20.312
32.068	22.421	6.460	20.812
32.839	22.957	6.616	21.312
33.610	23.493	6.772	21.812
34.381	24.029	6.928	22.312
35.152	24.565	7.084	22.812
35.923	25.101	7.240	23.312
36.694	25.637	7.396	23.812
37.465	26.173	7.552	24.312
38.236	26.709	7.708	24.812
39.007	27.245	7.864	25.312
39.778	27.781	8.020	25.812
40.549	28.317	8.176	26.312
41.320	28.853	8.332	26.812
42.091	29.389	8.488	27.312
42.862	29.925	8.644	27.812
43.633	30.461	8.800	28.312
44.404	30.997	8.956	28.812
45.175	31.533	9.112	29.312
45.946	32.069	9.268	29.812
CONSTANT:			
0.771	0.536	0.156	0.500

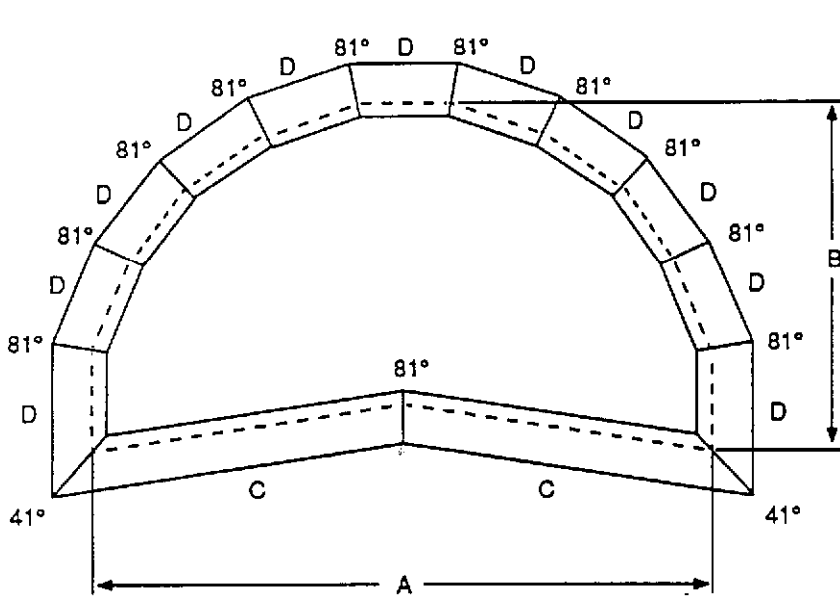


# Reverse Bottom Fan

Angle Settings: 41.0° & 81.0°

A & B - Overall picture area including rabbet

C & D - Length of cut



A	B	C	D
6.940	3.881	3.452	1.067
7.860	4.443	3.920	1.219
8.780	5.005	4.388	1.371
9.700	5.567	4.856	1.523
10.620	6.129	5.324	1.675
11.540	6.691	5.792	1.827
12.460	7.253	6.260	1.979
13.380	7.815	6.728	2.131
14.300	8.377	7.196	2.283
15.220	8.939	7.664	2.435
16.140	9.501	8.132	2.587
17.060	10.063	8.600	2.739
17.980	10.625	9.068	2.891
18.900	11.187	9.536	3.043
19.820	11.749	10.004	3.195
20.740	12.311	10.472	3.347
21.660	12.873	10.940	3.499
22.580	13.435	11.408	3.651
23.500	13.997	11.876	3.803
24.420	14.559	12.344	3.955
25.340	15.121	12.812	4.107
26.260	15.683	13.280	4.259
27.180	16.245	13.748	4.411
28.100	16.807	14.216	4.563
29.020	17.369	14.684	4.715
29.940	17.931	15.152	4.867
30.860	18.493	15.620	5.019
31.780	19.055	16.088	5.171
32.700	19.617	16.556	5.323
33.620	20.179	17.024	5.475
34.540	20.741	17.492	5.627
35.460	21.303	17.960	5.779
36.380	21.865	18.428	5.931
37.300	22.427	18.896	6.083
38.220	22.989	19.364	6.235
39.140	23.551	19.832	6.387
40.060	24.113	20.300	6.539
40.980	24.675	20.768	6.691
41.900	25.237	21.236	6.843
42.820	25.799	21.704	6.995
43.740	26.361	22.172	7.147
44.660	26.923	22.640	7.299
45.580	27.485	23.108	7.451
46.500	28.047	23.576	7.603
47.420	28.609	24.044	7.755
48.340	29.171	24.512	7.907

CONSTANT:

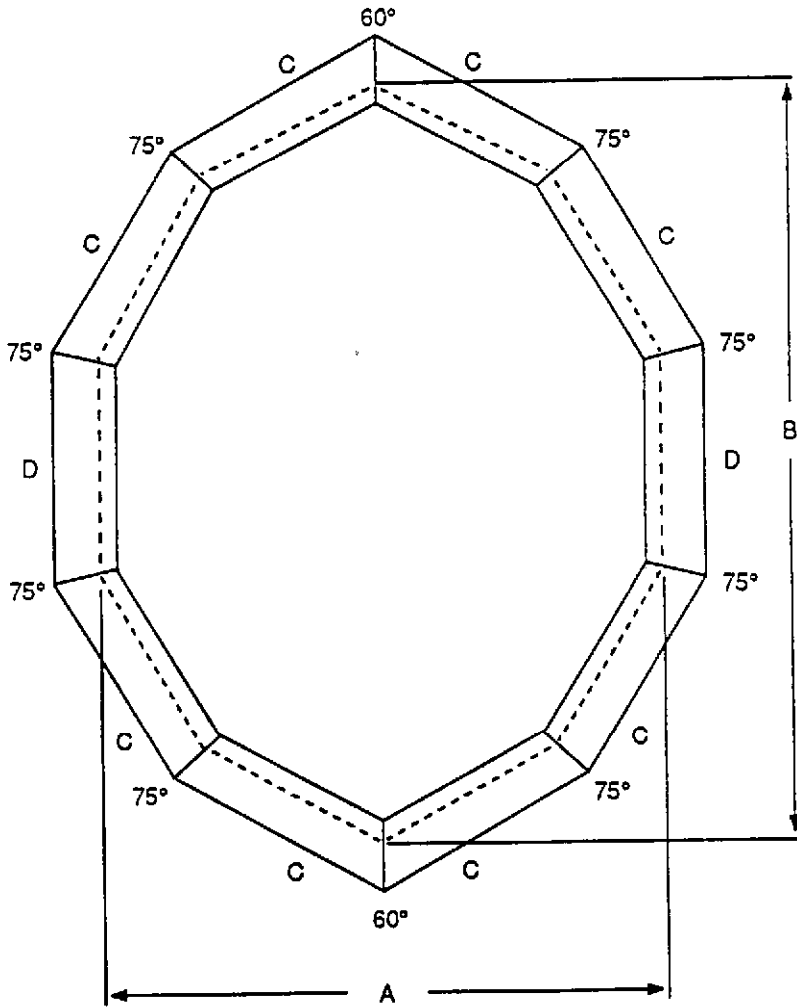
0.920	0.562	0.468	0.152
-------	-------	-------	-------

# Pointed Oval

Angle Settings: 60.0° & 75.0°

A & B - Overall picture area including rabbet

C & D - Length of cut



A	B	C	D
3.000	4.120	1.098	1.129
4.000	5.494	1.464	1.506
5.000	6.868	1.830	1.883
6.000	8.242	2.196	2.260
7.000	9.616	2.562	2.637
8.000	10.990	2.928	3.014
9.000	12.364	3.294	3.391
10.000	13.738	3.660	3.768
11.000	15.112	4.026	4.145
12.000	16.486	4.392	4.522
13.000	17.860	4.758	4.899
14.000	19.234	5.124	5.276
15.000	20.608	5.490	5.653
16.000	21.982	5.856	6.030
17.000	23.356	6.222	6.407
18.000	24.730	6.588	6.784
19.000	26.104	6.954	7.161
20.000	27.478	7.320	7.538
21.000	28.852	7.686	7.915
22.000	30.226	8.052	8.292
23.000	31.600	8.418	8.669
24.000	32.974	8.784	9.046
25.000	34.348	9.150	9.423
26.000	35.722	9.516	9.800
27.000	37.096	9.882	10.177
28.000	38.470	10.248	10.554
29.000	39.844	10.614	10.931
30.000	41.218	10.980	11.308
31.000	42.592	11.346	11.685
32.000	43.966	11.712	12.062
33.000	45.340	12.078	12.439
34.000	46.714	12.444	12.816
35.000	48.088	12.810	13.193

CONSTANT:

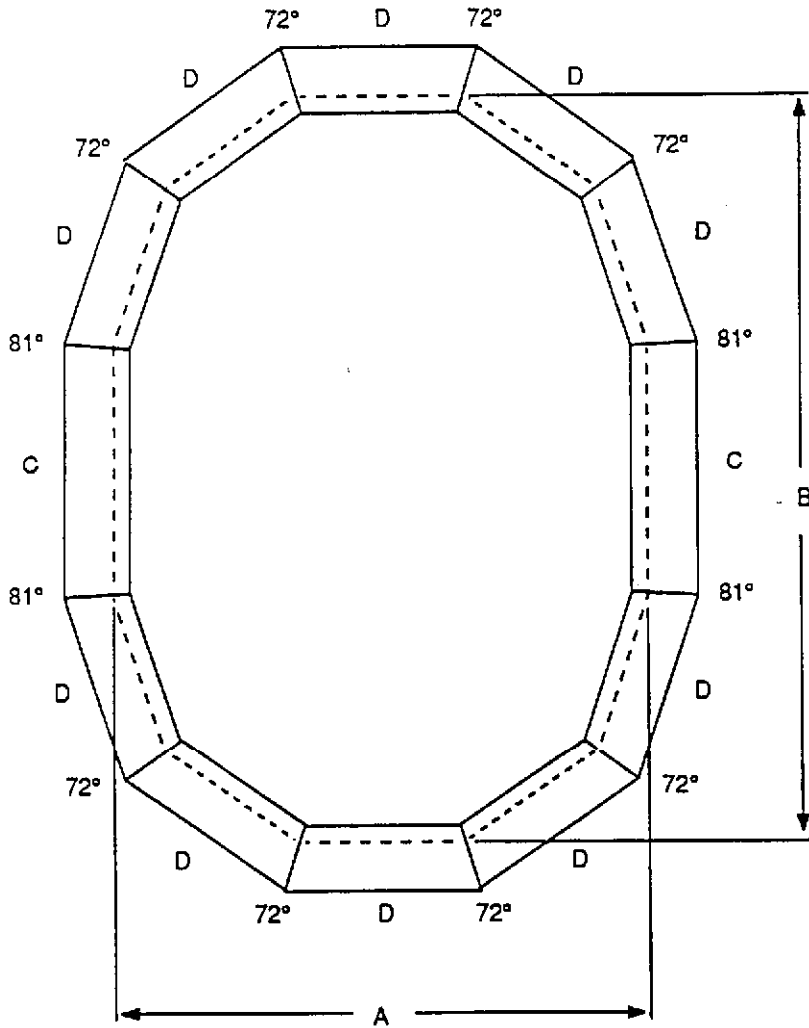
1.000	1.374	0.366	0.377
-------	-------	-------	-------

# Oval Frame

Angle Settings: 72.0° & 81.0°

A & B - Overall picture area including rabbet

C & D - Length of cut



	A	B	C	D
	3.000	3.981	1.352	0.902
	3.960	5.333	1.766	1.203
	4.920	6.685	2.180	1.504
	5.880	8.037	2.594	1.805
	6.840	9.389	3.008	2.106
	7.800	10.741	3.422	2.407
	8.760	12.093	3.836	2.708
	9.720	13.445	4.250	3.009
	10.680	14.797	4.664	3.310
	11.640	16.149	5.078	3.611
	12.600	17.501	5.492	3.912
	13.560	18.853	5.906	4.213
	14.520	20.205	6.320	4.514
	15.480	21.557	6.734	4.815
	16.440	22.909	7.148	5.116
	17.400	24.261	7.562	5.417
	18.360	25.613	7.976	5.718
	19.320	26.965	8.390	6.019
	20.280	28.317	8.804	6.320
	21.240	29.669	9.218	6.621
	22.200	31.021	9.632	6.922
	23.160	32.373	10.046	7.223
	24.120	33.725	10.460	7.524
	25.080	35.077	10.874	7.825
	26.040	36.429	11.288	8.126
	27.000	37.781	11.702	8.427
	27.960	39.133	12.116	8.728
	28.920	40.485	12.530	9.029
	29.880	41.837	12.944	9.330
	30.840	43.189	13.358	9.631
	31.800	44.541	13.772	9.932
	32.760	45.893	14.186	10.233
	33.720	47.245	14.600	10.534
	34.680	48.597	15.014	10.835
	35.640	49.949	15.428	11.136
	36.600	51.301	15.842	11.437

CONSTANT:

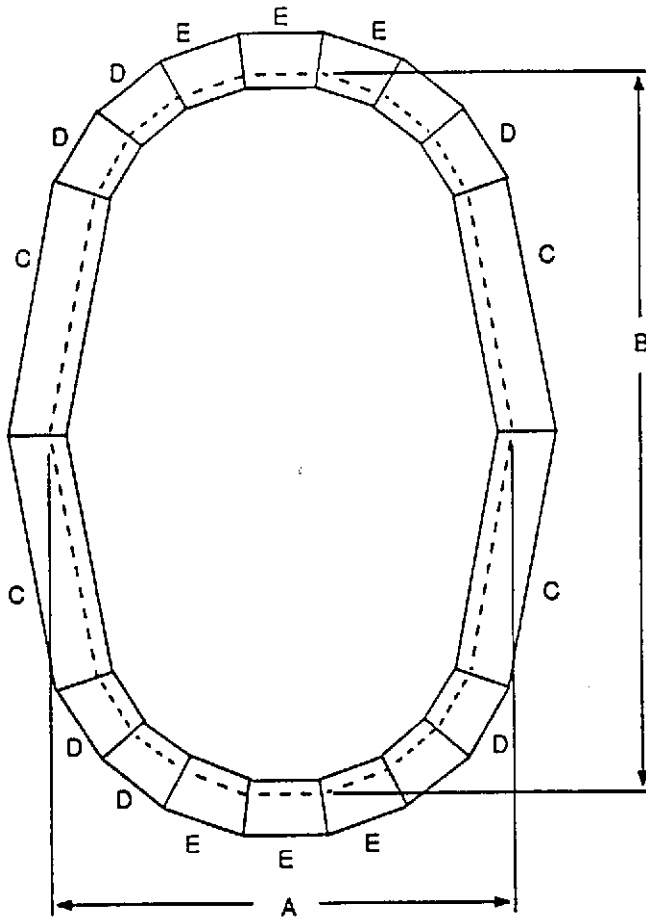
0.960	1.352	0.414	0.301
-------	-------	-------	-------

# Slim Oval

Angle Setting: 80.0°

A & B - Overall picture area including rabbet

C, D & E - Length of cut



	A	B	C	D	E
	3.000	4.617	1.317	0.543	0.397
	4.000	6.156	1.756	0.724	0.529
	5.000	7.695	2.195	0.905	0.661
	6.000	9.234	2.634	1.086	0.793
	7.000	10.773	3.073	1.267	0.925
	8.000	12.312	3.512	1.448	1.057
	9.000	13.851	3.951	1.629	1.189
	10.000	15.390	4.390	1.810	1.321
	11.000	16.929	4.829	1.991	1.453
	12.000	18.468	5.268	2.172	1.585
	13.000	20.007	5.707	2.353	1.717
	14.000	21.546	6.146	2.534	1.849
	15.000	23.085	6.585	2.715	1.981
	16.000	24.624	7.024	2.896	2.113
	17.000	26.163	7.463	3.077	2.245
	18.000	27.702	7.902	3.258	2.377
	19.000	29.241	8.341	3.439	2.509
	20.000	30.780	8.780	3.620	2.641
	21.000	32.319	9.219	3.801	2.773
	22.000	33.858	9.658	3.982	2.905
	23.000	35.397	10.097	4.163	3.037
	24.000	36.936	10.536	4.344	3.169
	25.000	38.475	10.975	4.525	3.301
	26.000	40.014	11.414	4.706	3.433
	27.000	41.553	11.853	4.887	3.565
	28.000	43.092	12.292	5.068	3.697
	29.000	44.631	12.731	5.249	3.829
	30.000	46.170	13.170	5.430	3.961
	31.000	47.709	13.609	5.611	4.093
	32.000	49.248	14.048	5.792	4.225

CONSTANT:

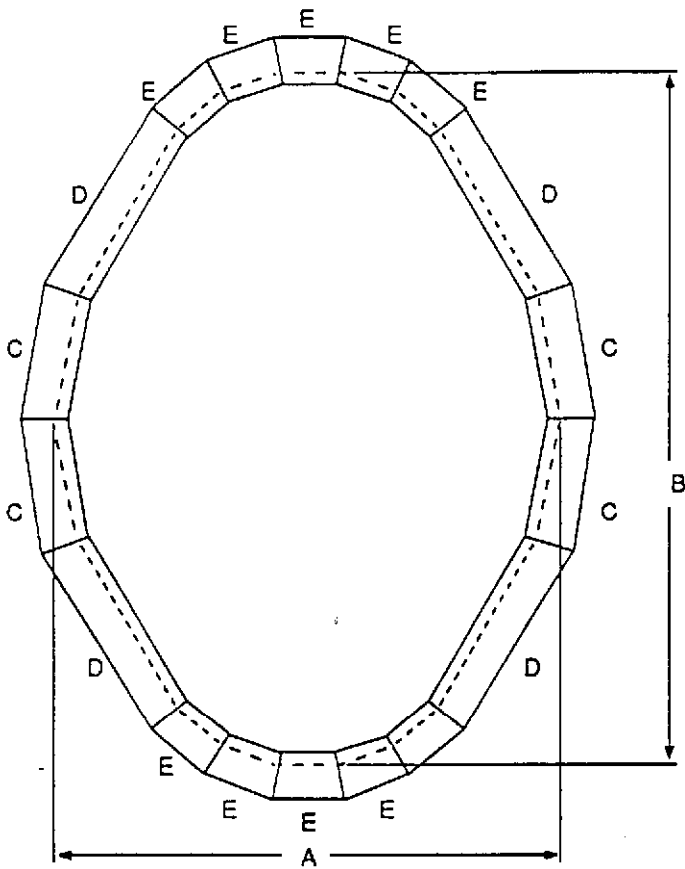
1.000	1.539	0.439	0.181	0.132
-------	-------	-------	-------	-------

# Expanded Oval

Angle Setting: 80.0°

A & B - Overall picture area including rabbet

C, D & E - Length of cut



A	B	C	D	E
3.080	4.000	1.123	1.739	0.494
4.083	5.740	1.404	2.174	0.617
5.086	7.480	1.685	2.609	0.740
6.089	9.220	1.966	3.044	0.863
7.092	10.960	2.247	3.479	0.986
8.095	12.700	2.528	3.914	1.109
9.098	14.440	2.809	4.349	1.232
10.101	16.180	3.090	4.784	1.355
11.104	17.920	3.371	5.219	1.478
12.107	19.660	3.652	5.654	1.601
13.110	21.400	3.933	6.089	1.724
14.113	23.140	4.214	6.524	1.847
15.116	24.880	4.495	6.959	1.970
16.119	26.620	4.776	7.394	2.093
17.122	28.360	5.057	7.829	2.216
18.125	30.100	5.338	8.264	2.339
19.128	31.840	5.619	8.699	2.462
20.131	33.580	5.900	9.134	2.585
21.134	35.320	6.181	9.569	2.708
22.137	37.060	6.462	10.004	2.831
23.140	38.800	6.743	10.439	2.954
24.143	40.540	7.024	10.874	3.077
25.146	42.280	7.305	11.309	3.200
26.149	44.020	7.586	11.744	3.323
27.152	45.760	7.867	12.179	3.446
28.155	47.500	8.148	12.614	3.569
29.158	49.240	8.429	13.049	3.692
30.161	50.980	8.710	13.484	3.815
31.164	52.720	8.991	13.919	3.938
32.167	54.460	9.272	14.354	4.061
33.170	56.200	9.553	14.789	4.184
34.173	57.940	9.834	15.224	4.307
35.176	59.680	10.115	15.659	4.430

CONSTANT:

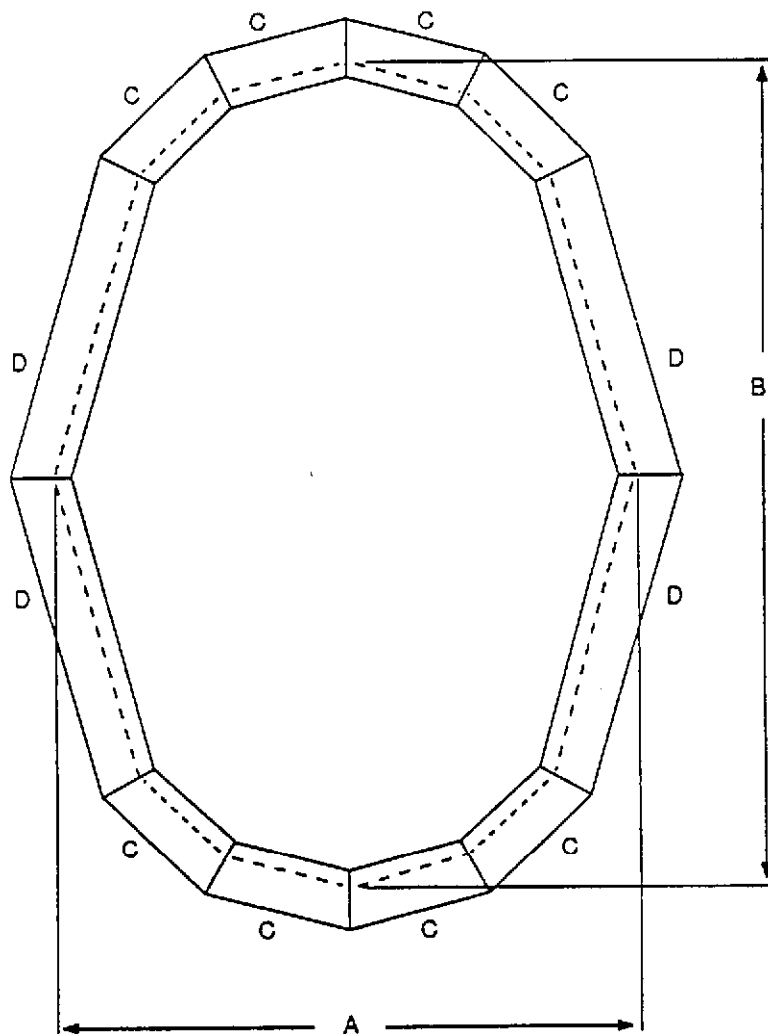
1.003	1.740	0.281	0.435	0.123
-------	-------	-------	-------	-------

# Expanded Oval 2

Angle Setting: 75.0°

A & B - Overall picture area including rabbet

C & D - Length of cut



A	B	C	D
3.000	4.285	0.669	1.530
4.000	5.713	0.891	2.039
5.000	7.141	1.113	2.548
6.000	8.569	1.335	3.057
7.000	9.997	1.557	3.566
8.000	11.425	1.779	4.075
9.000	12.853	2.001	4.584
10.000	14.281	2.223	5.093
11.000	15.709	2.445	5.602
12.000	17.137	2.667	6.111
13.000	18.565	2.889	6.620
14.000	19.993	3.111	7.129
15.000	21.421	3.333	7.638
16.000	22.849	3.555	8.147
17.000	24.277	3.777	8.656
18.000	25.705	3.999	9.165
19.000	27.133	4.221	9.674
20.000	28.561	4.443	10.183
21.000	29.989	4.665	10.692
22.000	31.417	4.887	11.201
23.000	32.845	5.109	11.710
24.000	34.273	5.331	12.219
25.000	35.701	5.553	12.728
26.000	37.129	5.775	13.237
27.000	38.557	5.997	13.746
28.000	39.985	6.219	14.255
29.000	41.413	6.441	14.764
30.000	42.841	6.663	15.273
31.000	44.269	6.885	15.782
32.000	45.697	7.107	16.291
33.000	47.125	7.329	16.800

CONSTANT:

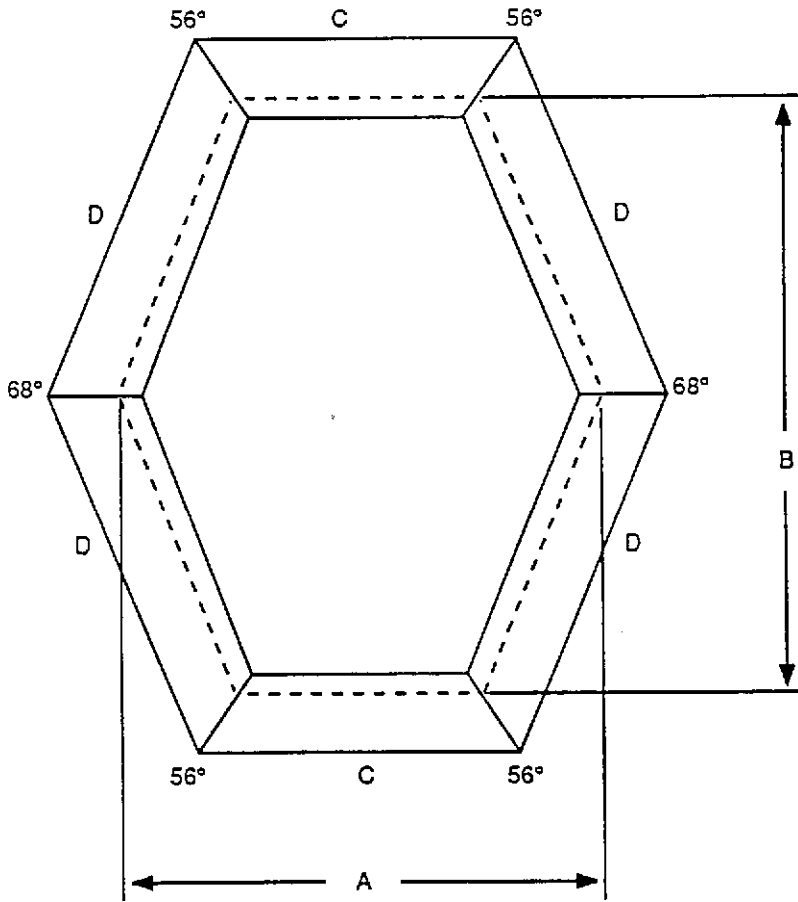
1.000	1.428	0.222	0.509
-------	-------	-------	-------

# Flat Top - 6 Sided

Angle Settings: 56.0° & 68.0°

A & B - Overall picture area including rabbet

C & D - Length of cut



A	B	C	D
4.061	4.000	2.500	2.035
5.374	6.000	3.000	3.125
6.687	8.000	3.500	4.215
8.000	10.000	4.000	5.305
9.313	12.000	4.500	6.395
10.626	14.000	5.000	7.485
11.939	16.000	5.500	8.575
13.252	18.000	6.000	9.665
14.565	20.000	6.500	10.755
15.878	22.000	7.000	11.845
17.191	24.000	7.500	12.935
18.504	26.000	8.000	14.025
19.817	28.000	8.500	15.115
21.130	30.000	9.000	16.205
22.443	32.000	9.500	17.295
23.756	34.000	10.000	18.385
25.069	36.000	10.500	19.475
26.382	38.000	11.000	20.565
27.695	40.000	11.500	21.655
29.008	42.000	12.000	22.745
30.321	44.000	12.500	23.835
31.634	46.000	13.000	24.925
32.947	48.000	13.500	26.015
34.260	50.000	14.000	27.105
35.573	52.000	14.500	28.195
36.886	54.000	15.000	29.285
38.199	56.000	15.500	30.375
39.512	58.000	16.000	31.465
40.825	60.000	16.500	32.555
42.138	62.000	17.000	33.645
43.451	64.000	17.500	34.735
44.764	66.000	18.000	35.825
46.077	68.000	18.500	36.915
47.390	70.000	19.000	38.005
48.703	72.000	19.500	39.095

CONSTANT:

1.313	2.000	0.500	1.090
-------	-------	-------	-------

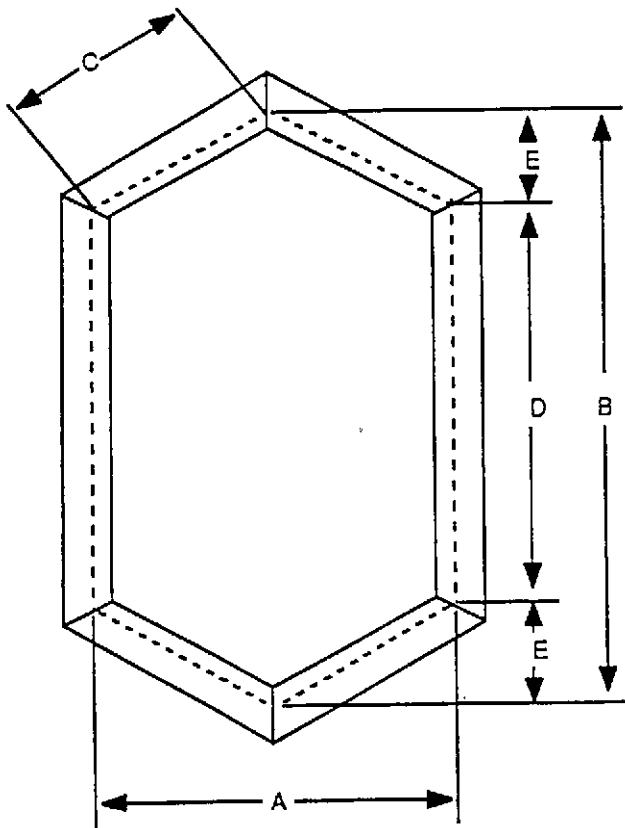
# 6 - Sided Frame

Length: your choice

Angle Setting: 60.0°

A & B - Overall picture area including rabbet

C & D - Length of cut



A	B	C	D	E
3.000		1.732		1.732
4.000	YOUR CHOICE	2.309	D = B - E	2.309
5.000		2.887		2.886
6.000		3.464		3.463
7.000		4.041		4.040
8.000		4.619		4.617
9.000		5.196		5.194
10.000		5.774		5.771
11.000		6.351		6.348
12.000		6.928		6.925
13.000		7.506		7.502
14.000		8.083		8.079
15.000		8.660		8.656
16.000		9.238		9.233
17.000		9.815		9.810
18.000		10.392		10.387
19.000		10.970		10.964
20.000		11.547		11.541
21.000		12.124		12.118
22.000		12.702		12.695
23.000		13.279		13.272
24.000		13.856		13.849
25.000		14.434		14.426
26.000		15.011		15.003
27.000		15.588		15.580
28.000		16.166		16.157
29.000		16.743		16.734
30.000		17.321		17.311
31.000		17.898		17.888
32.000		18.475		18.465
33.000		19.053		19.042
34.000		19.630		19.619
35.000		20.207		20.196
36.000		20.785		20.773
37.000		21.362		21.350
38.000		21.939		21.927
39.000		22.517		22.504
40.000		23.094		23.081
41.000		23.671		23.658
42.000		24.249		24.235
43.000		24.826		24.812
44.000		25.403		25.389
45.000		25.981		25.966
46.000		26.558		26.543
47.000		27.135		27.120
48.000		27.713		27.697
49.000		28.289		28.274
50.000		28.866		28.851
CONSTANT:				
1.000		0.577		0.577

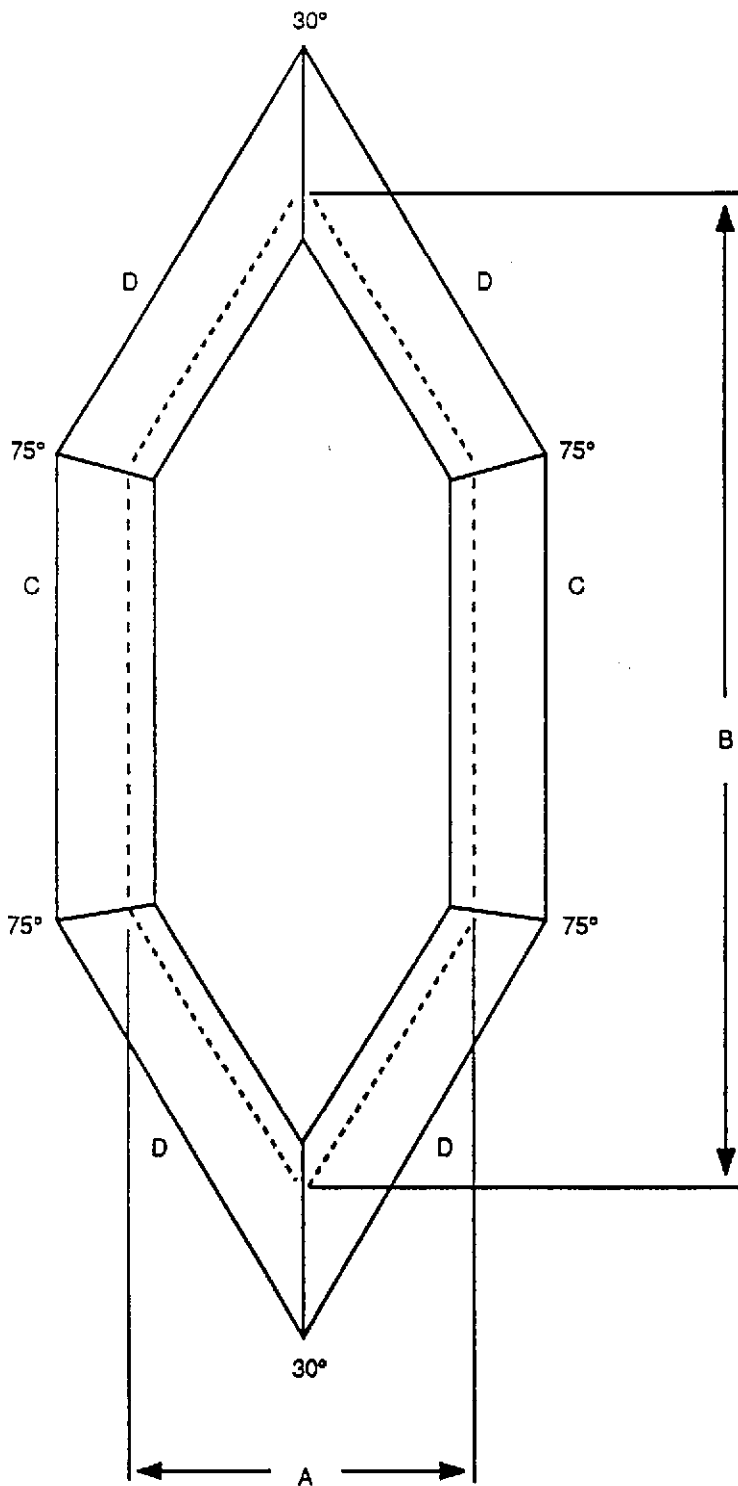


# Unusual 6 - Sided

Angle Settings: 30.0° & 75.0°

A & B - Overall picture area including rabbet

C & D - Length of cut



A	B	C	D
3.110	8.000	2.693	3.110
3.498	9.000	3.029	3.498
3.886	10.000	3.365	3.886
4.274	11.000	3.701	4.274
4.662	12.000	4.037	4.662
5.050	13.000	4.373	5.050
5.438	14.000	4.709	5.438
5.826	15.000	5.045	5.826
6.214	16.000	5.381	6.214
6.602	17.000	5.717	6.602
6.990	18.000	6.053	6.990
7.378	19.000	6.389	7.378
7.766	20.000	6.725	7.766
8.154	21.000	7.061	8.154
8.542	22.000	7.397	8.542
8.930	23.000	7.733	8.930
9.318	24.000	8.069	9.318
9.706	25.000	8.405	9.706
10.094	26.000	8.741	10.094
10.482	27.000	9.077	10.482
10.870	28.000	9.413	10.870
11.258	29.000	9.749	11.258
11.646	30.000	10.085	11.646
12.034	31.000	10.421	12.034
12.422	32.000	10.757	12.422
12.810	33.000	11.093	12.810
13.198	34.000	11.429	13.198
13.586	35.000	11.765	13.586
13.974	36.000	12.101	13.974
14.362	37.000	12.437	14.362
14.750	38.000	12.773	14.750
15.138	39.000	13.109	15.138
15.526	40.000	13.445	15.526
15.914	41.000	13.781	15.914
16.302	42.000	14.117	16.302
16.690	43.000	14.453	16.690
17.078	44.000	14.789	17.078
17.466	45.000	15.125	17.466
17.854	46.000	15.461	17.854
18.242	47.000	15.797	18.242
18.630	48.000	16.133	18.630
19.018	49.000	16.469	19.018

CONSTANT:

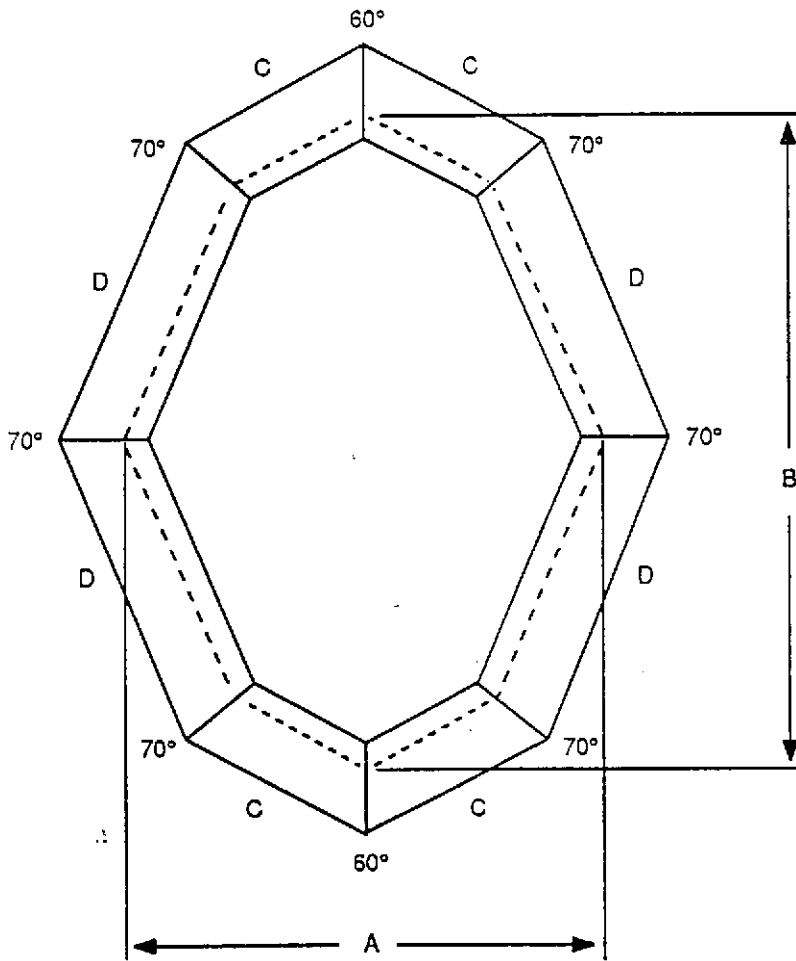
0.388	1.000	0.336	0.388
			103

# Unusual 8 - Sided

Angle Settings: 60.0° & 70.0°

A & B - Overall picture area including rabbet

C & D - Length of cut



	A	B	C	D
	3.085	4.174	1.094	1.615
	4.170	5.594	1.459	2.153
	5.255	7.014	1.824	2.691
	6.340	8.434	2.189	3.229
	7.425	9.854	2.554	3.767
	8.510	11.274	2.919	4.305
	9.595	12.694	3.284	4.843
	10.680	14.114	3.649	5.381
	11.765	15.534	4.014	5.919
	12.850	16.954	4.379	6.457
	13.935	18.374	4.744	6.995
	15.020	19.794	5.109	7.533
	16.105	21.214	5.474	8.071
	17.190	22.634	5.839	8.609
	18.275	24.054	6.204	9.147
	19.360	25.474	6.569	9.685
	20.445	26.894	6.934	10.685
	21.530	28.314	7.299	10.761
	22.615	29.734	7.664	11.299
	23.700	31.154	8.029	11.837
	24.785	32.574	8.394	12.375
	25.870	33.994	8.759	12.913
	26.955	35.414	9.124	13.451
	28.040	36.834	9.489	13.989
	29.125	38.254	9.854	14.527
	30.210	39.674	10.219	15.065
	31.295	41.094	10.584	15.603
	32.380	42.514	10.949	16.141
	33.465	43.934	11.314	16.679
	34.550	45.354	11.679	17.217
	35.635	46.774	12.044	17.755
	36.720	48.194	12.409	18.293

CONSTANT:

1.085	1.420	0.365	0.538
-------	-------	-------	-------