

OPERATIONS MANUAL

IM-30 MP



!!! For your safety !!!
Read the instructions manual carefully



CONGRATULATIONS!

Congratulations for choosing the IM-30 MP and thanks for your confidence in INMES products.

This equipment was developed to satisfy safety and meet your needs for high performance. The IM-30 Plus was especially designed to make high-quality cuts in wood, plastic and aluminum profiles, however each material requires the proper blade.

We developed this Owner's Manual to help you install and use your machine correctly in order to obtain the maximum benefits of economy and output.

Read the manual carefully and call us to answer any question you may have about your equipment and its operation.

Visit our web site:

<http://www.inmes-usa.com>,

Visit us and check out our wide range of products.

1 - SAFETY INSTRUCTIONS

For operator safety and durability of your equipment, the instruction must be carried out with great care when installing and operating your machine, staying alert and learn how to use the IM-30 MP.

1.1 - Safety Signals



If the safety instruction is not followed the operator will be seriously injured or killed.



Means if the safety instruction is not followed the operator could be seriously injured or killed.



Safety instruction if not carried out with care, might injury the operator.

1.2 - Before using the machine



- ✓ Read the owner's manual before operating the equipment;
- ✓ Wear safety goggles,
- ✓ Keep the acrylic blade guard down;
- ✓ Keep hands out of the saw blade path;
- ✓ Turn off and wait for blade to stop, before adjusting;
- ✓ Plug power cord into properly grounded outlet protected by 15 amp circuit breaker and 10 amp for cabinet base;
- ✓ The manufacturer advice: you should make sure the circuit is properly grounded, using the green and yellow wire for this purpose;
- ✓ The machine must be mounted on a flat surface in an appropriate work area, well lighted and enough air;
- ✓ This machine only accept blade of 300mm
- ✓ In order to obtain high performance at work, make sure that you read the owner's manual.

1.3 - Blade Requirement

The saw blade must proceed the following specifications:

- Extern diameter => 300mm;
- Arbor diameter => 30mm;
- Blades marked for 4 000 rpm or higher;
- Blades must be appropriated for each specific material (wood, plastic or aluminum).

1.4 - When Installing the equipment

- The machine must be mounted on a flat surface in an appropriate work area, well lighted and enough air;
- Before switching on the machine, verify the frequency and voltage;
- The electrical installation should be made by an electrician, as well as questions or problems you may have with your electric installation should be resolved by an electrician;
- Make sure you are using the correct voltage.

1.5 - Before Each Use

- Make sure switch is in OFF position before plugging in
- Make sure before operating that all parts and connections are tight;
- Keep the machine free from cutting residuals;
- Remove any existent foreign objects or tool between the fence and clamping;
- Verify blade spreader before start again;
- Always use the acrylic blade guard assembled;
- Check out if the clamping cylinder is well tight; if not, do it.

1.6 - To reduce the risk of injury

CAUTION

- When cutting the profiles, the rabbet must be facing the operator, as shown in figure 01 (F). Must be avoid cuts as figure 01 (C) or else the saw blade can pull the scrap piece into the machine, and that way offering risk to the operator or damage to the machine.
- In order to obtain a good finishing and safety when cutting observe on top of the profile that you must allow at least 3/16" (5mm) of wood between the cut and the end of the stick as figure 01 (B).

during cutting operation;

- Let the blade get full speed before cutting;
- Do not use blades which are not in a good shape, for instance, broken teeth, because they are out of balance and will not make good cuts, as well as creating a hazard for the operator;
- Before starting the machine make sure that no objects have been left on the base;
- Soldered and unbalance blade must not be used;
- If any part is missing, bent or broken in any way, or electrical part does not work properly, turn the saw off, unplug the saw and provide the proper maintenance;
- Never use your machine if you observe something which can cause an accident or damage the machine;
- Use only sharp blade;

- Never place your hand near the blade;
- Hold the profile firmly to the fence;
- Be careful when cutting small pieces, the profile or small scrap may move and break the blade or even damage other parts;
- When cutting long profiles, its necessary to use extension table (have our authorized distributor called), this accessory will let the profile lay flat on the extension

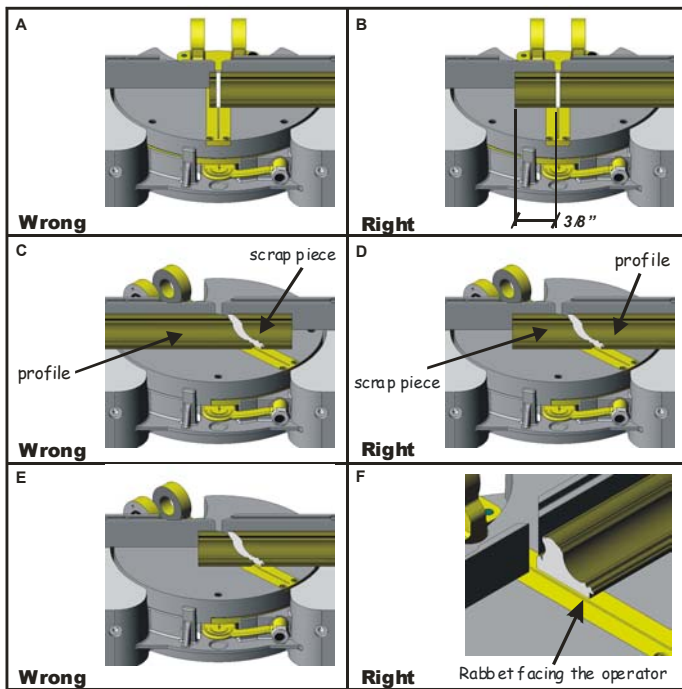


Figure 01

- Keep the saw blade clean;
- Keep work area around clean, sawdust can make the floor slippery;
- Make sure there is no debris between the work piece and the fence;
- Never cut more than one work piece at a time;
- Anytime the saw blade is removed for replacement or maintenance; make sure that the machine is unplugged from the wall socket;
- After replacing make sure the blade is properly tight;
- Keep visitors and children away when using;
- Be aware that when you descend the blade both clamping will automatically operate, so do not place your hands between the clamping and the fence when operating the equipment.

Note: Always remember that careless fraction of a second is enough to cause a severe injury

1.7 - Plan your cut

Tip:

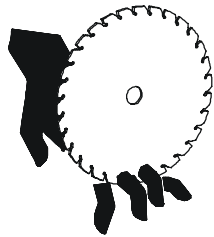
- ✓ When you have a large quantity of profiles to be cut, and you want to do this in a quick way, we advice the operator to cut first one side, and then the other side. It means rapidity and will save your time, for it's not necessary to move the blade position several times.

- Make sure the machine has enough cutting capacity to cut the profile you wish to;
- Use appropriate blade for cutting, depending on the type of material to be cut (wood or plastic);
- When cutting the profiles with rabet, the rabet must be facing the operator as figure 01 (F).

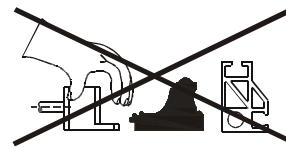
1.8 - Protection:

- Do not wear loose clothing, gloves or jewelry, neckties. They can caught you and draw you against the moving parts;
- Tie back long hair;
- Wear ear plugs or muffs;
- Always wear safety goggles;
- For dusty operations, wear a dust mask along with safety goggles;
- Always remember that a fraction of a second can cause a serious injury.

WARNING



Keep hands and fingers away from saw blade.



Do not place your hands between the hold-downs and the fence.

Before leaving the machine

- Turn the saw off and wait for all moving parts stop;
- Unplug the saw;
- *Disconnect the circuit breaker from the power.*

2 - UNPACKING AND CHECKING CONTENTS

As soon as you receive the IM-30 MP Rotating Miter Saw, make sure that all parts are included. The following parts are included:

Part or Assembly	Quantity
Basic IM-30 MP Rotating Miter Saw	01
Right Table Extension	01
Left Table Extension	01
Moulding Stop	01
Combination Wrench 24 x 27 mm	01
Phillips 3/16" x 4"	01
Wrench (for motor flange)	01
Allen 6mm	01
Owner's Manual	01

WARNING

- ✓ If you are missing any part, do not assembly the saw, contact our authorized distributor.

DANGER

- ✓ Do not plug the power cord into a power source outlet when unpacking and assembling.

CAUTION

- ✓ To avoid back injury get help whenever you have to lift the saw.
- ✓ Inmes developed a movable base for IM-30, contact our distributor for further information.
- ✓ Place the saw on a secure work surface.

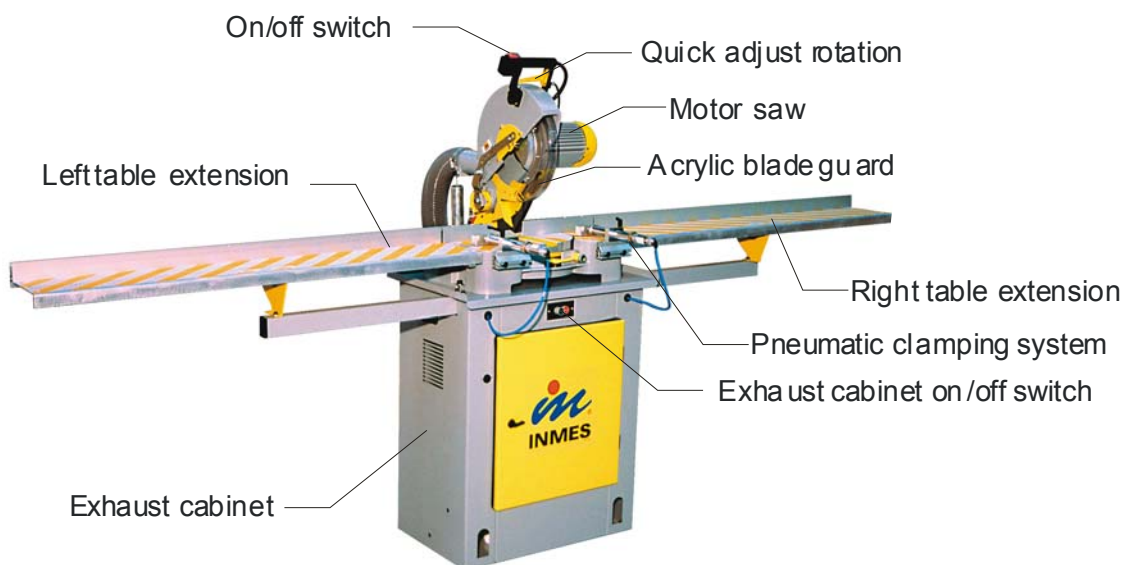
Important:

- ✓ Before installing the machine, make sure that you have all the parts included.
- ✓ If you are missing any part, please do not hesitate to contact our distributor.
- ✓ Always order by part number, use "Vista explodida" you may find it at the list of parts located in the end of the manual.
- ✓ This manual is extremely useful when ordering spare parts, therefore keep it in a appropriate place, should you have more than one equipment the same model, identify the equipment writing the serial number on its manual .

Optional Accessories:

- ◆ Additional Right Table Extension
- ◆ Additional Left Table Extension
- ◆ Pneumatic Fluid Sprayer
- ◆ Work Stand
- ◆ Additional accessory for Fence

3 - GETTING TO KNOW YOUR MITER SAW



4 - INSTALLING THE EXHAUST CABINET

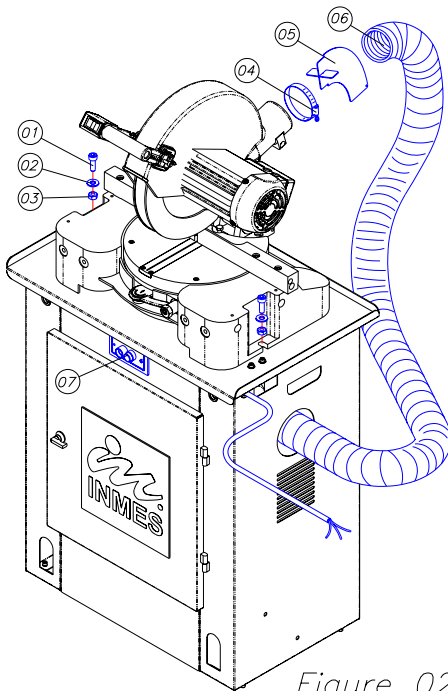


Figure 02

To install the exhaust cabinet you must fit the part (05) into the hose, after that you must fit the hose (06) over the part number (X) using clamp fig. (04), then fit the other side of the hose over the dust collector located inside the exhaust cabinet, using clamp to tight the hose.

The sawdust is collected in a cloth bag located inside the cabinet, its extremely important to empty it at least twice a week in order to keep a high performance.

To turn the exhaust **On** or **OFF** you must use the switch fig. (07) located on the front of the cabinet.

5 - IM-30 PLUS ELECTRICAL INSTALLATION

WARNING

- ✓ Read the manual and the safety instruction carefully before connecting the plug to the power source.
- ✓ Make sure that all the screws are tight before installing the machine.

- ✓ To reduce electrical shocks or damage to the machine, unplug it from the power source before any maintenance;
- ✓ If power cord is worn, cut or damage in any way, you must replace it right way;
- ✓ The electrical service must be performed by an specialist;
- ✓ Always install the machine in a dry floor, never expose the equipment in rain;
- ✓ Never place your hand or finger on the terminals of plug when installing or removing the plug to or from the outlet;
- ✓ Overloading can occur if the operator start and stop many times in a short time, also the use of improper or dull saw blades are used;
- ✓ It's extremely important to install a circuit breaker of 15A for IM-30 plus and a circuit breaker of 10A for Exhaust Cabinet.

When using the machine for the first time, the operator must check out if the direction rotation of the motor is right, otherwise he (she) must invert it.

- To invert the direction rotation in **three phased** machines, its necessary the inversion the two of the three wire from power source, changing one for another. This proceed must be done by a specialist.
- To invert the direction rotation in **single phased** machines, you must change the wires position 5 and 8 (change one for another), inside the connection box. This proceed must be done by a specialist.

5.1 - Motor specifications for IM-30 MP

Induction motor three phase or single phase.

	Available in:	Consumed Power kw/h:	Amps:
110 V	Single Phase	1,03 kw/h	9,92 A
220V	Single Phase	1,03 kw/h	4,46 A
220 V	Three Phase	1,08 kw/h	3,70 A
380 V	Three Phase	1,08 kw/h	2,14 A

Rotation	3400rpm
Power	1 hp
Frequency	60Hz
Bearing	
Front	6204 DDU ARZ S1
Back	6201 ZZ ARZ S1

5.2 - Motor Specification for Exhaust Cabinet

Motor Induction three phase or single phase.

	Available in:	Consumed Power kw/h:	Amps:
110 V	Single phase	0,97 kw/h	12 A
220V	Single Phase	0,97 kw/h	6 A
220V	Three Phase	0,77 kw/h	2,4 A
380V	Three Phase	0,77 kw/h	1,38 A

Rotation:	3535 rpm
Power:	1hp
Frequency:	60Hz

6 - INSTALLING AND MAINTAINING THE SAW BLADE

WARNING

- ✓ Use only blades of 300mm diameter.

Important

Each material that you wish to cut (wood, plastic or aluminum) requires a specific saw blade.

ANGER

- ✓ The manufacturer advice do not use either cracked or welded saw blade.
- ✓ Make sure all safety protection are correctly installed.
- ✓ After changing or maintaining the blade, make sure it is well tightened before starting the machine.

Tools needed:

- 01- 24x27 wrench (supplied with machine)
- 02- 27 wrench (supplied with machine)
- 03- 3/16"x4" Phillips (supplied with machine)

You must follow the following steps:

Wear leather gloves when replacing or maintaining the blade.

Remember: Whenever the operator remove the blade for replacement or sharpening, its extremely important to unplug the power cord from power source.

Once this is done proceed as shown as figure 03, following these steps:

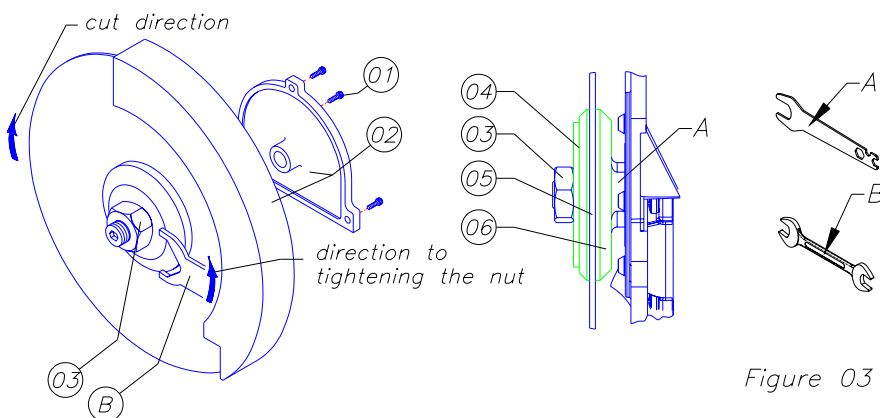


Figure 03

- 1) Remove the three bolts from the yellow plastic flange, figure 03 (01);
- 2) Remove the yellow plastic flange and the acrylic blade guard figure 03 (02);
- 3) Insert wrench 1 in the region A as shown in figure 03 (06);
- 4) Then Using wrench B turn the blade nut

clockwise, loosen the nut, as shown figure 03 (03);

- 5) Rotate the wrench B down;
- 6) Rotate the wrench A up;
- 7) Remove the nut figure 03(03);
- 8) Take the flange off figure 03 (04);
- 9) You are finally ready to remove the blade, figure 03 (05);

To replace the blade you must follow these steps:

When installing a blade, make sure the blade is clean and free of any protective coating;

When replacing the blade pay attention to the direction of the blade's teeth.

Once you have checked all these points, then you will be able to replace the blade, following the respecting steps:

- 1) Blade;
- 2) Flange, figure 03 (04);
- 3) Nut, figure 03 (04) manually tight to the end;
- 4) Insert wrench A in the region A, figure 03 (06);
- 5) Then using wrench B turn the blades nut counter clockwise, figure 03 (03);
- 6) Make sure the blade is well tight;
- 7) Fit the acrylic blade guard item 02, around the blade and right after that fix the yellow plastic flange with three screws by a Phillips key;
- 8) Make sure the flanges are clean and properly arranged;
- 9) Lower the blade into the table slot and verify for any contact with the base;
- 10) If the blade contacts table, verify all the procedure that you have done, if you still have problem to adjust your machine contact authorized service.

7. MOUNTING THE IM-30 SPRING

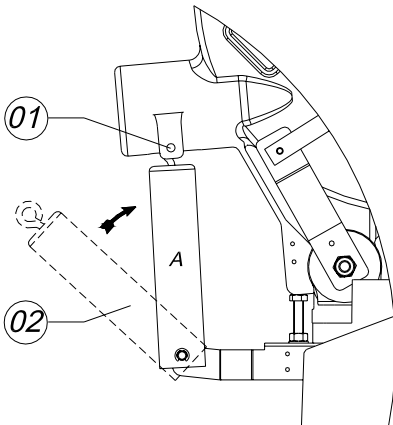


Figure 04

Before beginning working with your IM-30 MP Rotating Miter Saw, its necessary to install the spring, which it is already pre-assembled on the machine.

To mount the spring, remove the bolt fig. 04 (01) using allen key 6mm that comes with the machine. Lift the top as far as possible, using the handle, place the spring in the direction of the arrow, until you are able to replace bolt in its original hole.

8. OPERATING YOUR IM-30 PLUS ROTATING MITER SAW

CAUTION

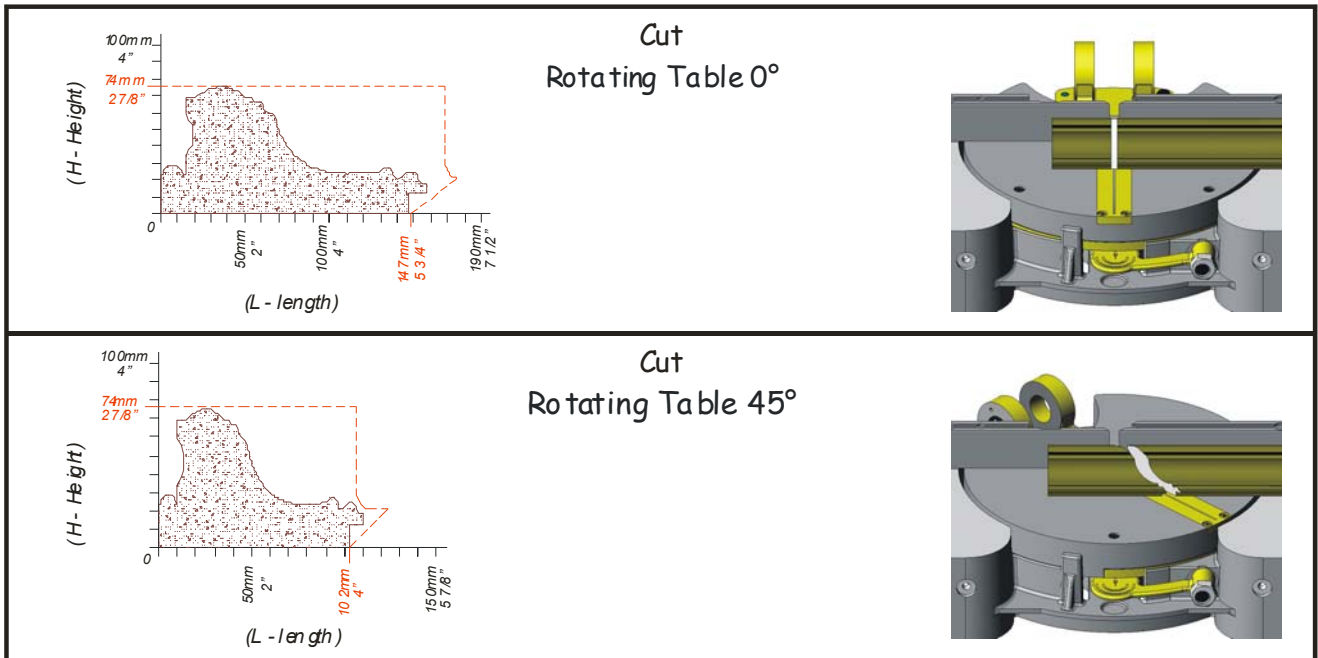
- ✓ Use only saw blades specifically recommended for wood, plastic, or aluminum, according to the material you want to cut.

WARNING

- ✓ As soon as you have done, turn off the saw and unplug the cord power from the out let.

8.1 - Cutting Capacity

This machine has been designed for cutting profiles related in the following drawing below, according to the respective cutting angles.



8.2 - Choosing the right angle you wish to cut

The IM-30 MP has a quick adjust rotation feature with precision lock position for the most used angles (45° - 30° - 22,5° - 15° - 10°), and respectively for square and rectangles 6-8-12 and 18 sided frames, and manual adjust for the other angles.

There are two ways you can adjust the cutting angle.

First:

The operator may use the "quick adjust rotation" feature, which is operated by squeezing the part that looks like a bicycle brake in the middle the saw handle (next to the On/Off switch) in order to rotate the table. When the desired angle of position has been reached, just released it to engage again.

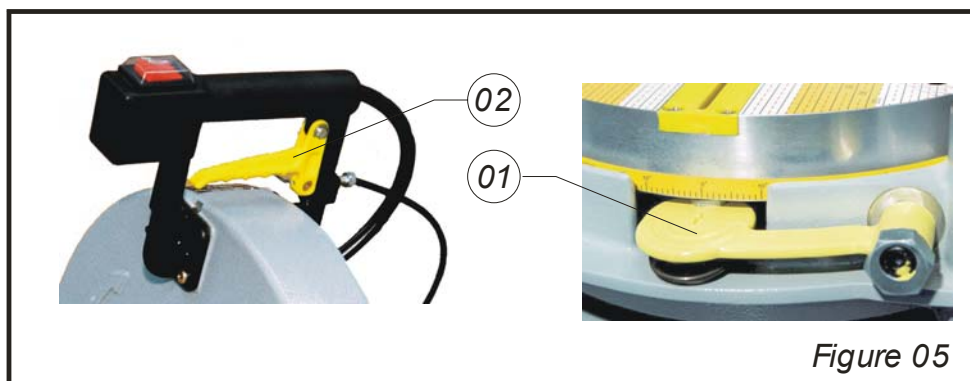


Figure 05

Second:

The operator may press down on the yellow lock disc on the front of the machine to disengage it, then rotate the saw table until it reaches the position desired, then engage the lock again by releasing the disk, taking care to have the position properly aligned, so as not to damage the lock pin.

It is possible to obtain the manual adjustment, as before press down on the yellow disk to disengage the lock, rotate the saw to the angle desired, and then release the yellow disk, then tighten the screw on top of the fence with your 5mm Allen wrench, which locks the rotating table in place.

Depending on type of frame to be made, follow the table below:

Sides	Angle
04	45°
06	30°
08	22,50°
12	15°
18	10°

8.3 - Operating the pneumatic clamping

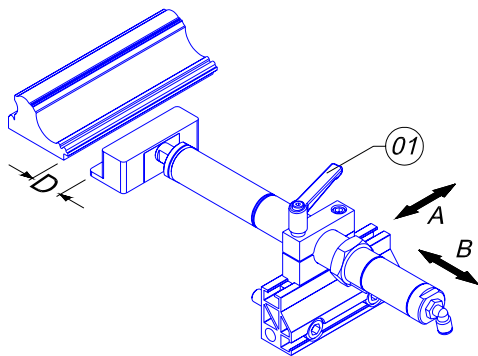


Figure 06

As soon as you choose the profile that you wish to cut, as shown in fig. 06 fit the moulding to be cut onto the table between the fence and the clamping, with the rabbet facing towards you. Make sure to obtain a space of about 3/16" (5mm) between the clamping and the profile, with the clamping air cylinder in the retracted position.

The clamping adjustment is done as shown in fig 06 (01). Loosen the air cylinders so that they can move freely in the direction of arrows "A" and "B", in this way you will be able to obtain a space of about 3/16" (5mm) between the clamping and the profile.

Note: There is a bolt which limits the movement of the clamping apparatus towards the center of the table, to guarantee that the blade cannot cut into it. This bolt should not be removed.

To regulate the pressure exerted against the profile by the clamping, use a knob "A" shown in fig. 7, remembering that you should not exceed 6 bar (85 psi). The pressure should be sufficient to hold the profile immobile while the cut is made.

CAUTION

- ✓ This accessory offers more safety to operator, however it's extremely necessary careful when operating it. Be careful with your hands.

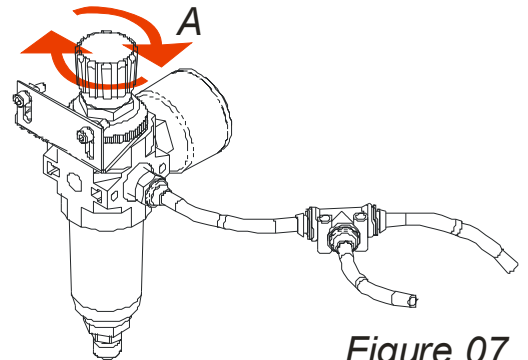


Figure 07

9 - MAINTENANCE

WARNING

- ✓ For operator safety always turn the saw off and remove the plug from the power source outlet before cleaning or lubricating your equipment. If these instructions are not followed the operator may be injured.

Important

- ✓ To avoid damage to your equipment, use only original parts.

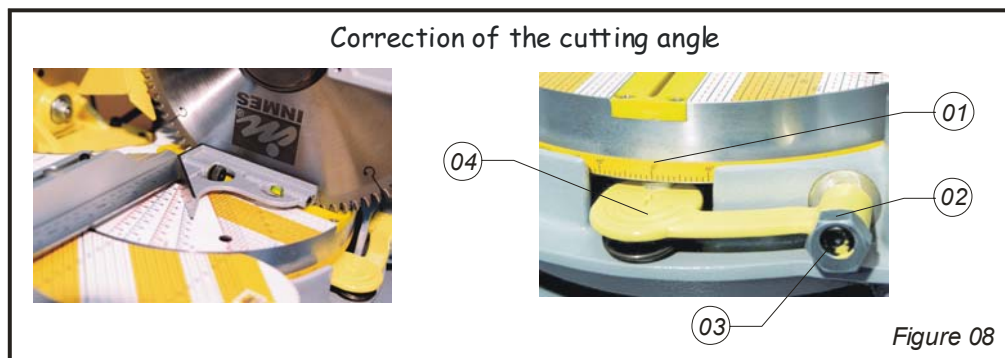
9.1 - Alignment

To check the blades' alignment, its required 24 x 27 mm wrench, combination square, 6mm Allen wrench.

Correction of the cutting angle

In case the angles are not true, you may start with the saw blade in the 0° position, to adjust the calibration you must use a precision square to guarantee a perfect alignment of the blade. When you have this tool (precision square) in hand, lower the blade, and place the back of the square placed against the fence fig. (08), and the side of the square next to the blade.

After doing this operation, in case the angles are not true, you will notice a very small slot between the square and the blade.



Then use your 06mm Allen, loosen the screw figure 08 (03) then use your 24mm wrench and slowly turn the adjustment screw fig 08 (02) to the left or right, until adjust the angle 90° between the saw blade and the fence of the machine.

After adjusting the angle between the blade and the fence, you must tight the screw again, fig 08 (03), using your Allen 06mm, holding the adjustable screw, figure 08 (02), with your 24mm wrench, make sure the adjustable screw do not move when tightening.

In order to have a perfect adjustment, you may cut 04 pieces and then make the joining.

9.2 Lubrication

- ✓ All the motor bearing in this equipment are lubricated with enough amount of high grade lubricant for the life of the unit under normal operation conditions, therefore, no further lubrication is required;
- ✓ To each eighty (80 hours) working hours it's necessary to lubricate the yellow quick-adjust cable with dust-graphite;
- ✓ It's not required any other type of lubrication for the life of your IM-30 Plus.

10 - TROUBLESHOOTING



- ✓ For your own protection, always switch "Off" and remove plug from power source outlet before troubleshooting.

Problem	Probable cause	Suggested Solution
Motor does not work	Main feed cable not connected	Connect the main feed cable
	Circuit breaker off	Have circuit breaker checked
	ON/OFF switch button damaged	Get authorized service
	defect in the electronic board ('three phase' machines)	Get authorized service
	Motor burned	Get authorized service
Motor rotate to the wrong side	Electric installation	Invert the direction of the motor rotation
Motor does not work fine during cutting	Saw blade not sharpen	Have it sharpen
	Excessive cutting speed	Lower cutting speed
	Model of the saw blade	Use blades with less teeth Use anti-kickback blade
Frequent disconnection of the circuit breaker	Motor over-loaded	Descent the blade slowly Have the motor bearing checked
	Undersized circuit breaker	Install a circuit breaker with proper amp.
High level of noise	Motor bearing damage	Get authorized service
	Motor problem	Get authorized service
Rough cuts	Saw blade not sharpen	Have it sharpen
	Awkward blade	Replace the blade
	Blade incorrectly mounted	Mount the blade correctly
	Blade missing teeth	Replace the blade
	Motor bearing damage	Get authorized service
	Excessive cutting speed	Lower cutting speed
Angle of cut not accurate	Moulding fence misalignment	Get authorized service
	Saw blade misalignment	Make the alignment
	Awkward profile	Try another cut with a straight profile
	Profile moves during cutting	Secure the profile in place before cutting
	Saw blade not sharpen	Have it sharpen
	Debris between the profile and moulding fence	Clean it up
Hard to pull Back	Mains spring is broken	Replace the spring
	Hex nut from pivot shaft is too tight	Release the nut slowly

11 - PART LIST FOR IM-30 MP ROTATING MITER SAW

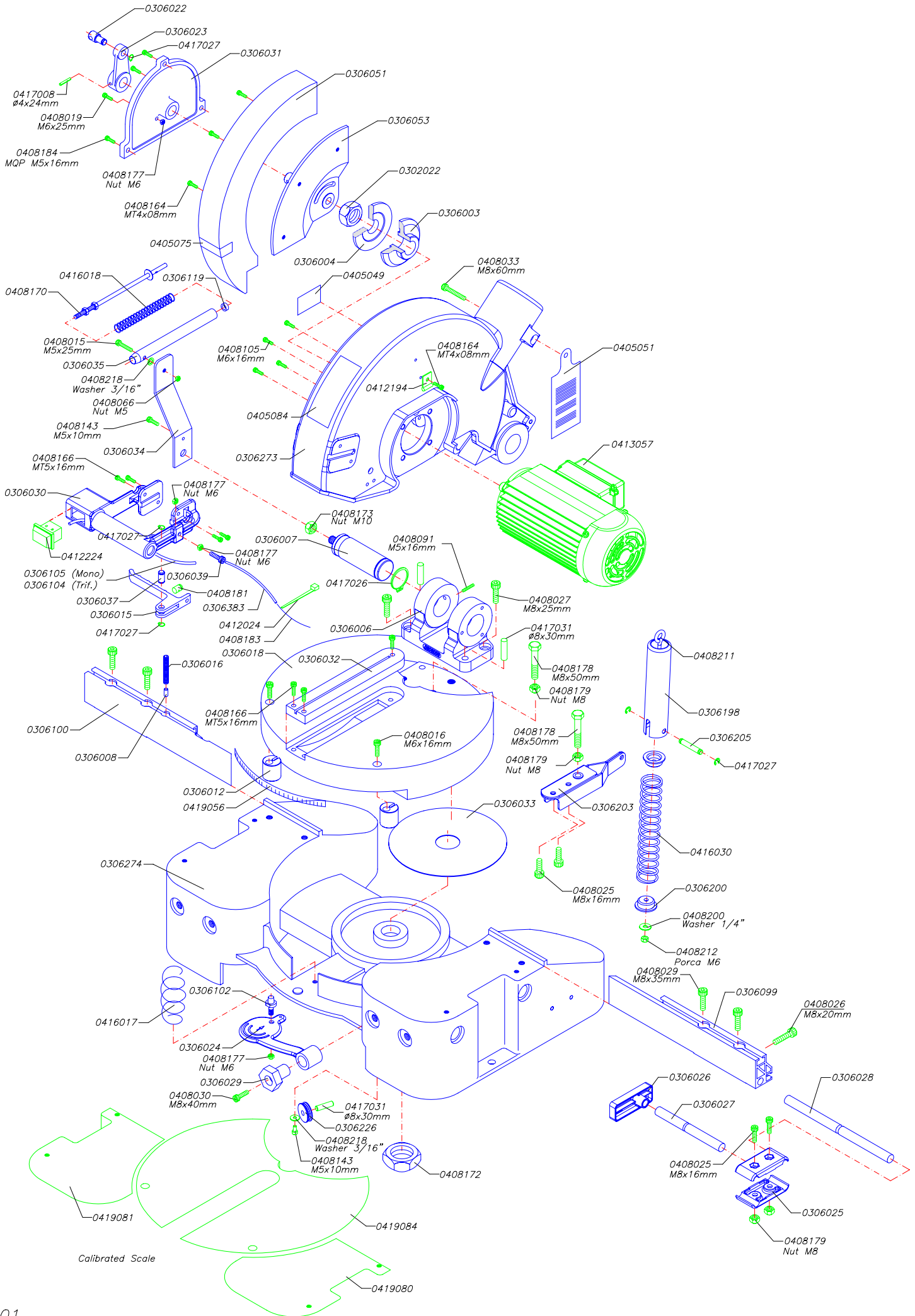
CODE	DESCRIPTION	CODE	DESCRIPTION
0302022	Saw blade shaft nut	0408015	Allen screw m5x25mm
0306003	Internal flange IM-30	0408016	Allen screw m6x16mm
0306004	External flange IM-30	0408019	Allen screw m6x25mm
0306006	Saw assembly support hing	0408025	Allen screw m8x16mm
0306007	Saw assembly shaft	0408026	Allen screw m8x20mm
0306008	Table lock screw nylon tip	0408027	Allen screw m8x25mm
0306099	Right moulding fence	0408029	Allen screw m8x35mm
0306100	Left moulding fence	0408030	Allen screw m8x40mm
0306012	Insert for 45° table position	0408033	Allen screw m8x60mm
0306015	Quick-turn handle	0408066	Hex nut m5
0306016	Table lock screw	0408067	Hex nut m6
0306018	Rotating table IM-30	0408068	Hex nut m8
0306019	Connection box	0408081	3/16" washer
0306020	Connection box cover	0408091	Allen screw m5x16mm
0306021	Fan cover	0408105	Allen screw m6x16mm
0306022	Lever pin	0408143	Allen screw m5x10mm
0306023	Acrylic blade guard lever	0408164	Phillips screw MQP 4x08mm
0306024	Rotating table lock	0408166	Phillips screw MQP 5x16mm
0306025	Moulding stop Rod-assembly support	0408170	Acrylic blade guard mechanism shaft
0306026	Moulding stop Rod-assembly stop	0408172	Self-locking nut
0306027	Moulding stop Rod-assembly Movable Rod	0408173	Self-locking nut
0306028	Moulding stop Rod-assembly fixed Rod	0408177	Hex nut
0306029	Rotating table lock shape	0408178	Hex bolt
0306030	Saw handle	0408179	Hex nut
0306031	Plastic flange	0408181	Rotating table cable screw
0306032	Blade insert	0408183	Rotating table cable
0306033	Teflon disk	0408184	Phillips screw MQP 5x16mm
0306034	Support for acrylic blade guar mechanism	0408191	Phillips screw MQP 4x12mm
0306035	Blade guar mechanism sheath	0408200	Washer
0306037	Quick turn handle pin	0408211	Main saw spring shaft
0306039	Cable regulator screw	0408212	Self-locking nut
0306051	Acrylic blade guard	0408218	3/16" washer
0306053	Acrylic blade guard support	0408228	Phillips screw m5x10mm
0306056	Electric cable-main feed/single phase 1cv	0412024	Plastic wire clamp
0306065	Electric cable - main feed / three phase 1cv (2)	0412051	Rubber gasket
0306102	Rotating table lock pin	0412182	Capacitor
0306104	Electric cable-main feed / three phase 1cv (2)	0412194	Nylon clamps
0306105	Electric cable-mail feed / single phase 1cv (2)	0412224	Switch
0306119	Blade guard mechanism bushing	0413057	Motor 1hp 115/208-230v 2p63 60hz B14D
0306198	Spring protector	0416017	Rotating table lock spring
0306200	Main saw spring support	0416018	Acrylic blade guard mechanism spring
0306203	Main saw spring support	0416030	Spring
0306205	Main saw spring pin	0417008	Flexible pin 04x24mm
0306226	Guide for the cable	0417025	Flexible pin 02.5x20mm
0306274	Aluminum base	0417026	Lock-washer
0306383	Sheathing IM-30	0417027	Lock-washer
0404005	Bearing 6204 DDU ARZ S1	0417030	Key
0404039	Bearing 6201 ZZ ARZ S1	0417031	Saw assembly support hin guide pin
0405049	Label	0419056	Rotating table base scale
0405051	Label	0419080	Right calibrated scale sticker IM-30
0405066	Label	0419081	Left calibrated scale sticker IM-30
0405084	Label	0419084	Calibrated scale sticker for rotating table IM-30

12 - PART LIST FOR EXHAUST CABINET

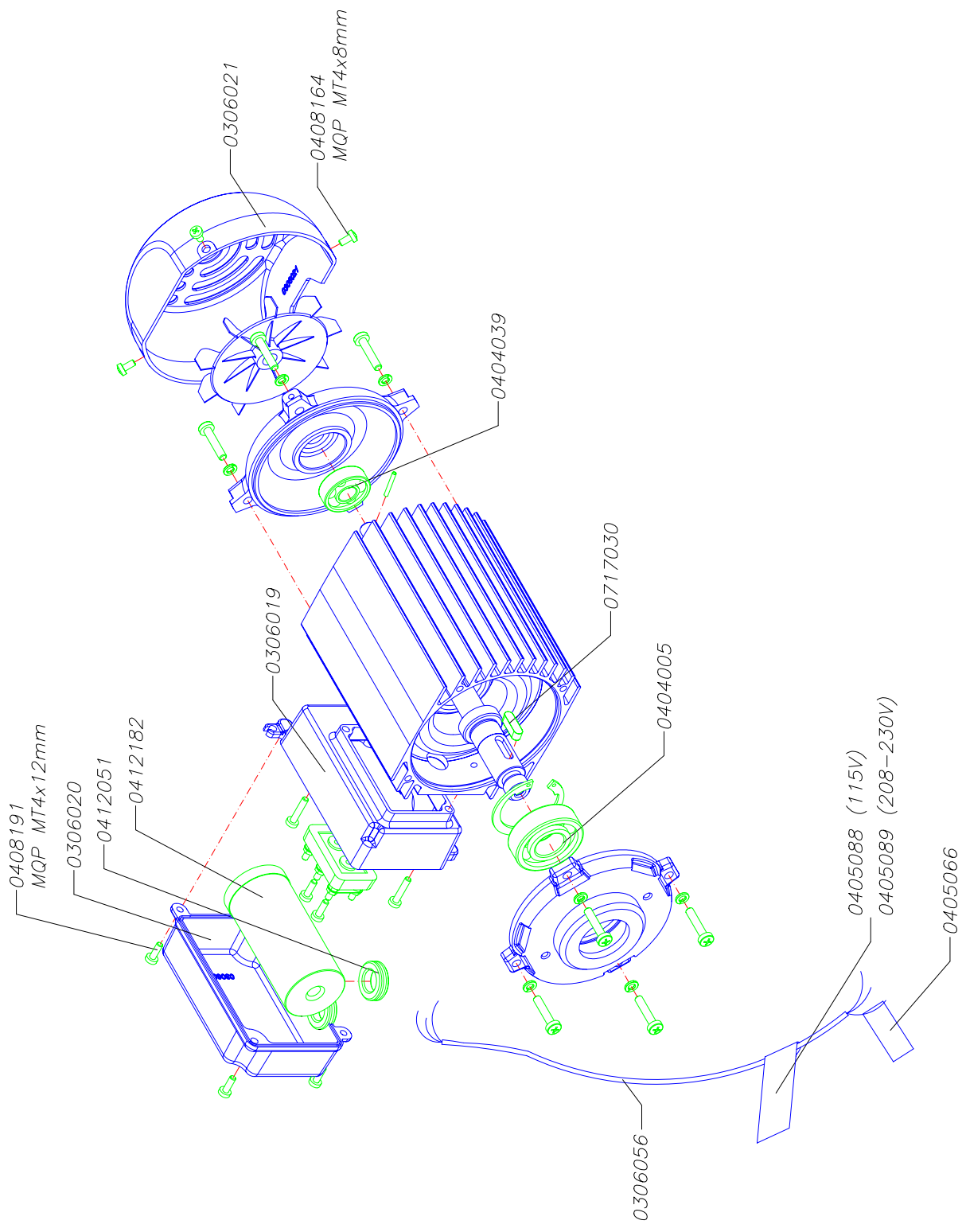
CODE	DESCRIPTION	CODE	DESCRIPTION
0302066	Washer	0408015	Allen screw m5x25mm
0302071	Reduction flange	0408019	Allen screw m6x25mm
0302082	Washer	0408026	Allen screw m8x20mm
0302282	Body of exhaust EM-075	0408038	Allen screw m10x30mm
0306215	Curve	0408069	Hex nut m10mm
0302294	Rotor EM-075 single phase	0408100	Hose clamp
0302295	Rotor EM-075 three phase	0408101	Hose clamp
0302297	Cover EM-075A	0408108	Hex bolt
0302299	Flange of the cover 075cv (complete)	0408119	Hex bolt
0302338	Screen protection EM-100A/B EM-075 Z	0408128	Screw 4,2x16mm DIN 7971
0306081	Exhaust support	0408144	Rivet
0306082	Door	0408177	Hex nut 6mm
0306083	Cabinet	0408179	Hex nut 8mm
0306120	Filter IM-30	0408191	Phillips MQP
0306155	On/Off switch electric cable	0408200	Washer
0306156	On/Off switch electric cable	0408201	Washer
0306157	On/Off switch electric cable	0408218	Washer
0306158	Electric cable - main feed	0408219	Washer
0405056	Label	0407020	Hose PVC 3"
0405066	Label	0412024	Plastic wire clamp
0405074	Label	0412025	Nylon wire support clamp
0405102	Label	0412047	Press for cable ½ POL
0405103	Label	0412051	Rubber gasket
0405104	Label	0412211	On/Off assembly frame
0405105	Label	0412212	On/Off switch
0405119	Label	0413020	Motor 115/208-230v
0405120	Label	0415006	Cabinet door handle
0408008	Label	0415007	Cabinet door hinge
0408014	Allen screw m5x20mm	0417017	Cabinet door gasket

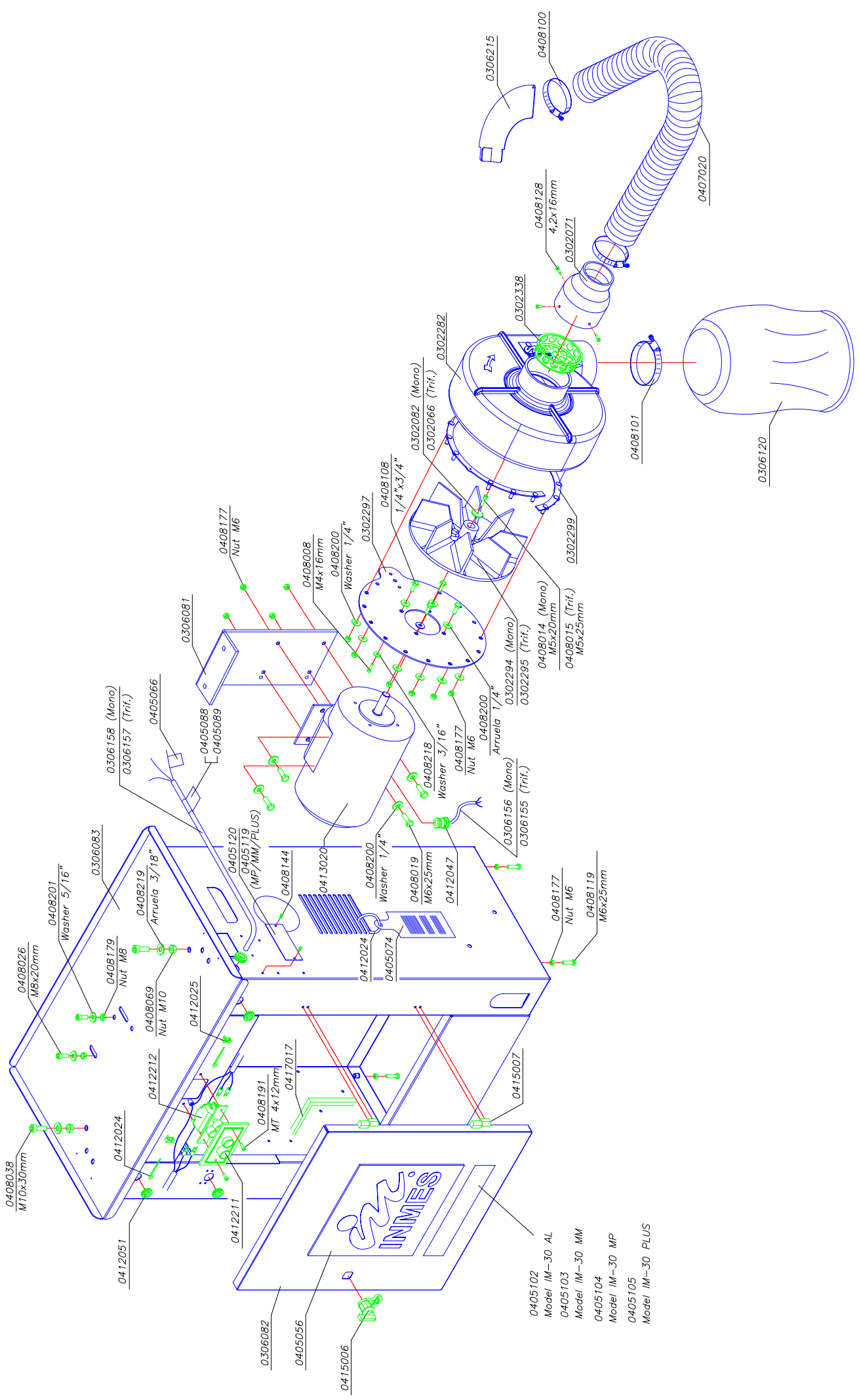
13 - PART LIST FOR PNEUMATIC CLAMPING

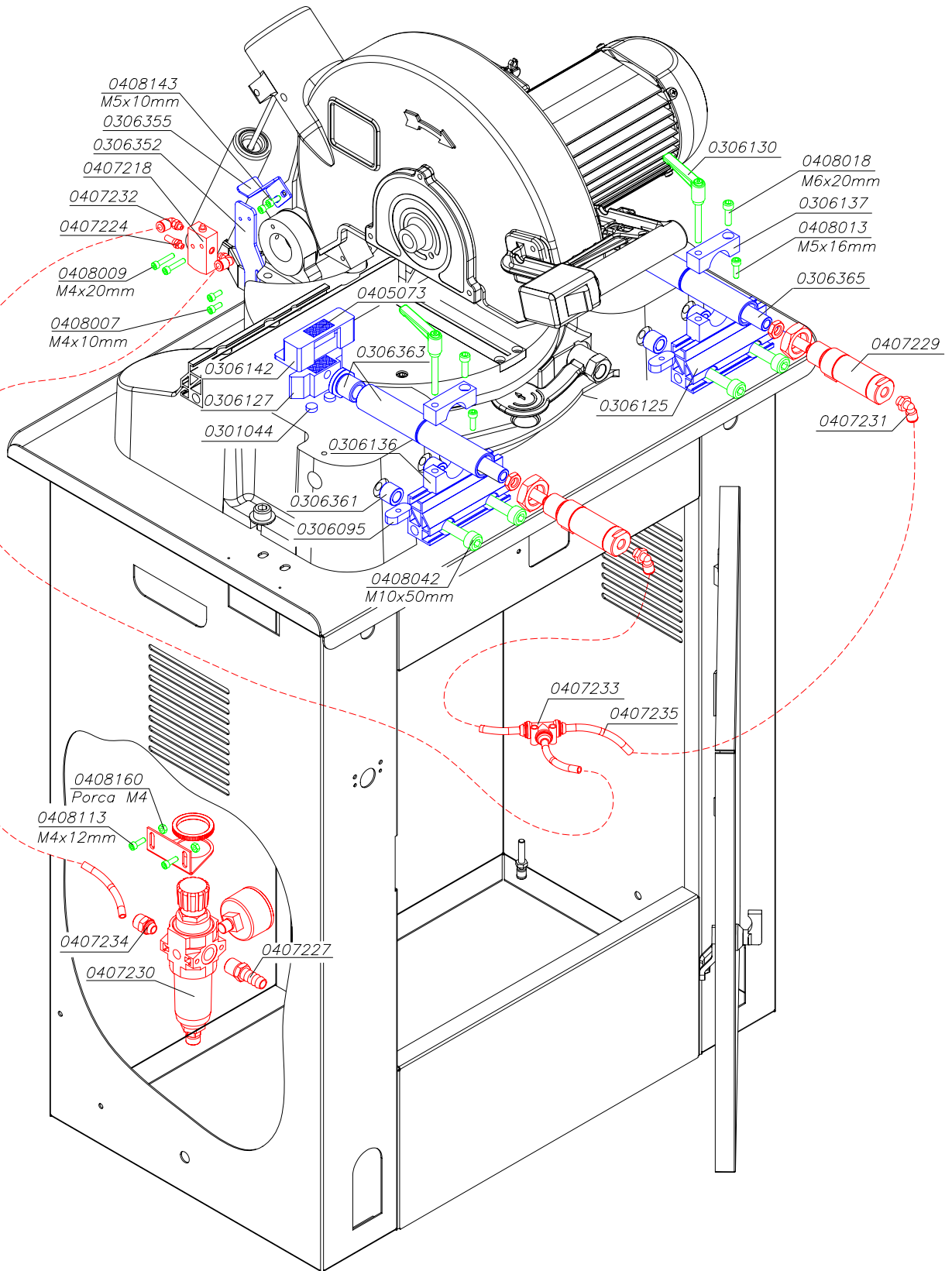
CODE	DESCRIPTION	CODE	DESCRIPTION
0101205	Additional support	0407224	Muffler BR sint mr
0301044	Bushing	0407227	Tube
0306095	Slide lock	0407229	Cylinder MD8 D.25 AS S
0306125	Support	0407230	Filter regulator FR QBO 25m
0306127	Clamping	0407231	Connection L 6 -1/8
0306130	Handle	0407232	Connection L 6- m5
0306136	Slide lock support base	0407233	Connection T Union Tube 6
0306137	Slide lock support top	0407234	Connection 6 - 1/8 LN
0306142	Moulding clamp cover	0407235	Tube PU 6 - 4 blue
0306352	Support valve Pin micro (Z)	0408007	Allen screw m4x10mm
0306355	Valve stop	0408009	Allen screw m4x20mm
0306359	Bushing	0408013	Allen screw m5x16mm
0306361	Spacer	0408018	Allen screw m6x20mm
0306363	Adjustable tube	0408042	Allen screw m10x50mm
0306365	Shaft	0408113	Allen screw m4x12mm
0405073	Label	0408143	Allen screw m5x10mm
0407218	Valve m5	0408160	Hex nut 4mm

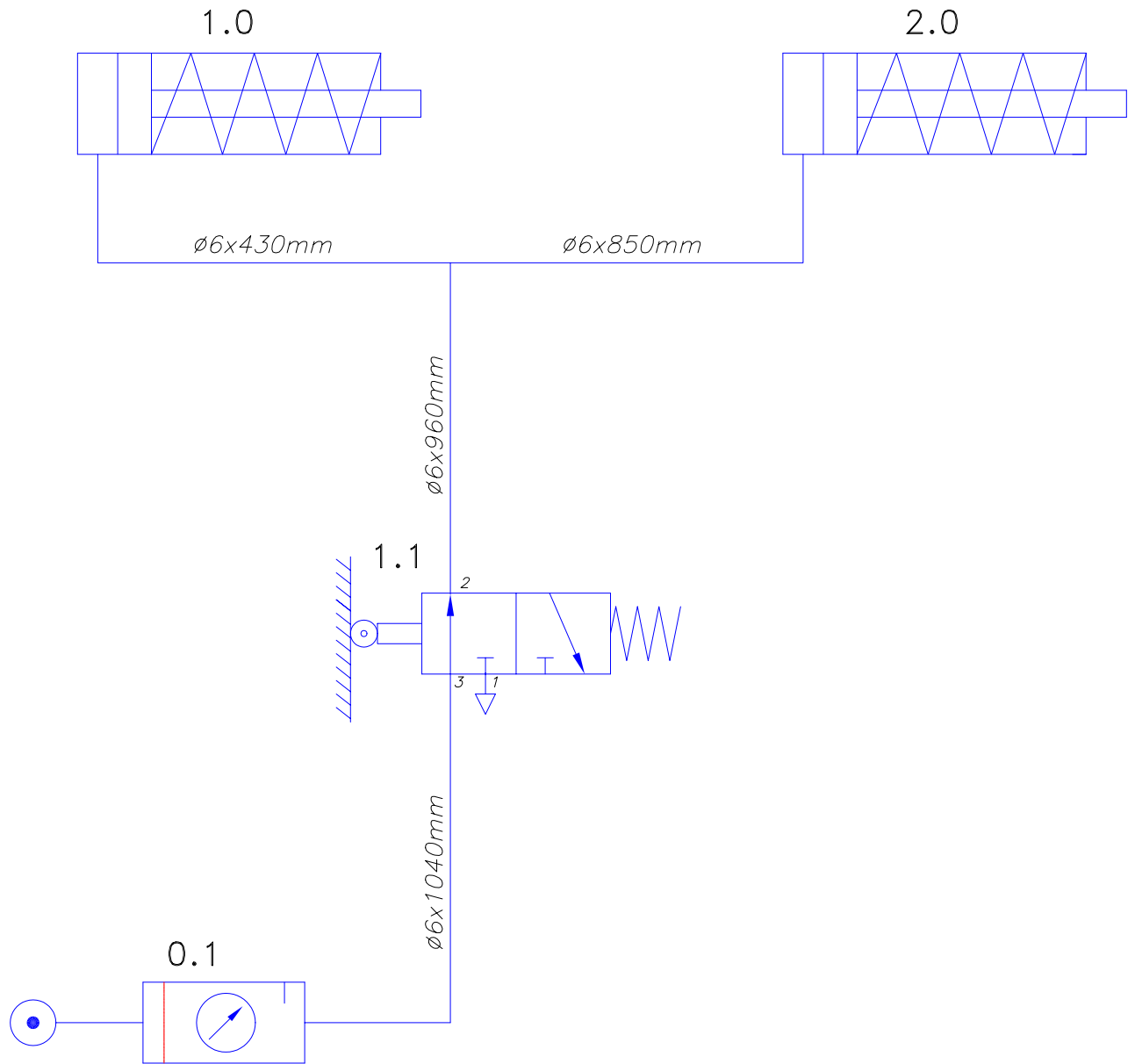


Motor Single Phase (0413057)









- 0.1 – Filter Regulator FR QB0 25M 8BAR G. 1/8
- 1.0 – Cylinder MD8 D.25 AS S
- 2.0 – Cylinder MD8 D.25 AS S
- 1.1 – Valve M5