

INDEX

1 – GENERAL INFORMATION	30
1.1 Introduction	30
1.2 Technical Specification	31
2– SAFETY	32
2.1 General Warnings	32
2.2 – To reduce the risk of injury	33
3 - HANDLING AND STORAGE	33
3.1 Handling.....	33
3.2 - Storage	34
4 – UNPACKING	34
5 – MACHINE DESCRIPTION	35
6 – INSTALLING THE MACHINE	36
6.1 Installing the wings extension tables	36
6.2 How to assemble the counterweight balancer	36
6.3 - Oil level on lower edge of oil glad	37
6.4 - Leveling bolts to adjust the height of the machine	38
7.1 Selecting the wedges.....	39
7.1.2 Loading and changing wedges into the magazine	39
7.2 Selecting the wedges in cartridges	40
7.2.1 - Loading and changing the cartridge wedges into the magazine	41
7.3 - Perpendicularity adjustment	42
7.3.1 - Fence angle adjustment.....	42
7.4 - Adjustment for the clamping system	43
7.4.1 - Air pressure regulator for the vertical clamping system.....	43
7.4.2 - Vertical clamp adjustment	43
7.4.3 - Horizontal clamp adjustment.....	44
7.5 - Positioning the joint-stick	45
7.6 - Options of joining	46
8 – MAINTENANCE	47
8.1 - Every 8 working hours.....	48
8.2 Every week.....	48
8.3 Air filter lubricator and oil lubricator	48
8.4 - Air filter lubricator.....	48
8.5 - How to remove the nailing head and clean it	49
8.6 How to change the nail pusher	51
9 - PART LIST.....	53
10-EXPLOD VIEW.....	57
11-PNEUMATIC SCHEM.....	63

1 - GENERAL INFORMATION

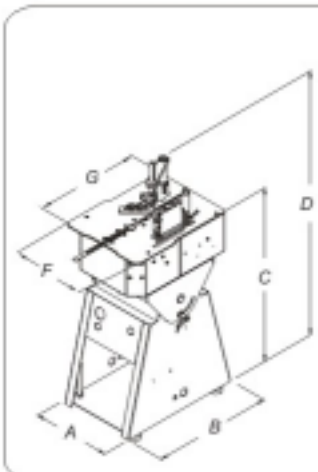
1.1 Introduction

Congratulation on your purchase of the IM-4P! It benefits from our long of experience acquired years of designing frame assembly machines for the picture frame industry.


The IM-4P developed by Inmes is a pneumatic frame assembly machine which is designed to be operated on a work table or a tilting stand, in front of the machine or behind it. This versatile underpinner can be supplied in two versions, for using cartridges or regular UNI wedges.

It is possible to add various accessories such as, pad, fences, wings extension tables and air regulators.

1.2 Technical Specification

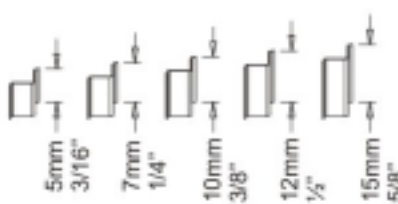


Dimension
 A = 507mm (19,96")
 B = 606mm (23,86")
 C = 923,50mm (36,36")
 D = 1114mm (43,86")
 E = 1565mm (61,61")
 F = 420mm (16,5")
 G = 540mm (21,25")



61,3 Kg (135,14 lb)
50°

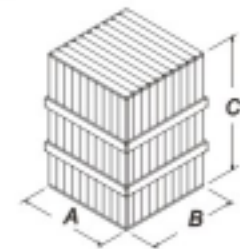
Nail sizes



5mm 3/16"
7mm 1/4"
10mm 3/8"
12mm 1/2"
15mm 5/8"

Model HW e SW

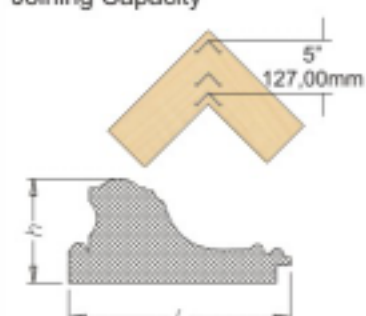
Package



Volume: 0,66 m³ (23,14 ft³)
 A = 710mm (27,95")
 B = 710mm (27,95")
 C = 1300mm (51,18")


81,3 Kg

Joining Capacity



L min = 5mm (0,19") h min = 8mm (0,31")
 L max = 150mm (5,90") h max = 116mm (4,5")

Working pressure and consumption



Pressure 6 bar
 Consumo... 2,5 ft³/min (20 ciclos)

2- SAFETY

Always remember that a careless fraction of a second is enough to cause a severe injury.

2.1 General Warnings

For the operator safety and durability of your equipment the instructions manual must be followed with great care when installing and operating your machine, staying alert and learn how to use the IM-4P.



If the safety instruction is not followed the operator will be seriously injured.



It means if the safety instruction is not followed the operator could be seriously injured.



Safety instruction if not carried out with care might injury the operator.



- Read the Instruction Manual before operating the equipment;
- Do not remove or change the warning adhesive signs;
- Wear adequate clothing to avoid clothes that could get stuck in the moving parts;
- Long hair has to be tied up;
- Keep hands away from the working area;
- Disconnect air pressure supplying during any maintenance intervention;
- Keep the feet away from the foot pedal during machine regulation;
- The machine must be mounted on a flat surface in an appropriate work area, well lighted;
- The user guarantee the machine is operated only by trained operators;
- The user must prevent access to the machine by non-authorized people;
- In order to obtain high performance of the machine, make sure that you read the instruction manual;
- Keep children and visitors away.

Note: Always remember that a careless fraction of a second is enough to cause a severe injury.

2.2 - To reduce the risk of injury

- Never place your hands under the vertical clamps;
- Never place your hands in front of the front clamp;
- Hold the profile firmly against to the fence with your hands outside of the clamping area;
- Before using the machine be sure that no objects have been left on the working table
- If any part is missing, bent or broken in anyway, do not use the equipment;
- Never use your machine if you observe something which can cause an accident or damage the equipment;
- Keep work area around the machine clean;
- Keep visitors and children away when using;

Note: Always remember that a careless fraction of a second is enough to cause a severe injury.

3 - HANDLING AND STORAGE

3.1 Handling



Fig. 01

Two people are required to locate the machine. The machine has to be shipped in a safe way to avoid any damage. Mount it securely on a proper floor. The machine has to be shipped like positioned for installation.

3.2 - Storage

The machine must be stored with cautions, as per information below:

- Store the machine indoors.
- Protect the machine from accidental impacts
- Protect the machine from humidity
- Avoid the machine to come in contact with corrosive materials

4 - UNPACKING

Unpacking the machine and verify all components to make sure the following parts are included:

- IM-4P Underpinner
- Horizontal clamp
- Vertical clamp
- Counterweight balancer spring
- Allen screw 5.0mm Fig. 02
- Maintenance tube Fig. 03
- Instructions Manual.



Fig. 02



Fig. 03

Optional Accessories

- Triangle or rectangle pad
- Magazine for UNI wedges
- Magazine for Cartridge wedges
- Fix fences
- Adjustable fences
- Air pressure regulator
- Wings extension tables
- Kit IM-4P auto
- Kit IM-4P 2 stage foot pedal and 1 stage joint stick
- Kit IM-4P 2 stage joint stick and 1 stage foot pedal
- Kit IM-4P 2 stage joint stick and 2 stage foot pedal
- Support for work bench

5 - MACHINE DESCRIPTION

- 01 - Air regulator
- 02 - Auto switch (optional)
- 03 - Foot pedal
- 04 - Lower base
- 05 - Water and lubricator glass
- 06 - Wings Extension Table (optional)
- 07 - Fence
- 08 - Handling
- 09 - Vertical clamping system
- 10 - Joint stick
- 11 - Stops
- 12 - Horizontal clamping system

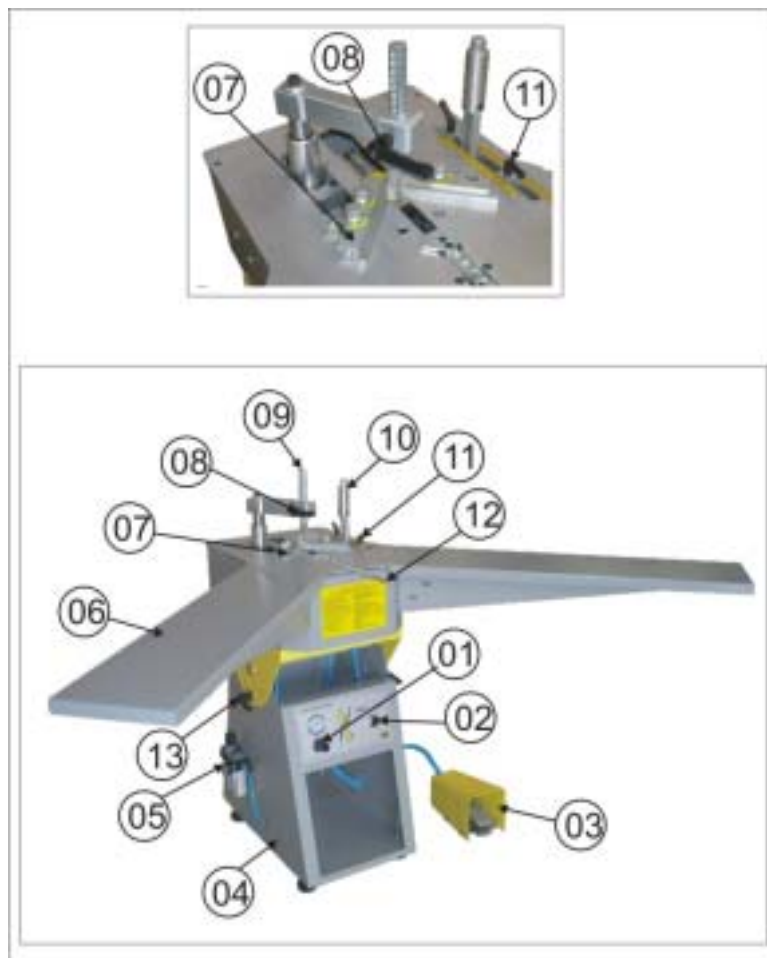


Fig. 04

6 - INSTALLING THE MACHINE

- Carefully read the Instructions Manual and the safety instructions before connecting the machine to the air source.
- Make sure to install the machine indoor and appropriate area.

6.1 Installing the wings extension tables (Optional)

Use the following procedures to install the wings extension tables.

- 1) Set the wing extension on its position as shown in figure 5
- 2) Put the screws and nuts
- 3) Use Allen key of 5mm 01 fig. 05
- 4) Make sure the wings extension tables are leveled with the working table as shown in Fig. 06



Fig. 05



Fig. 06

6.2 How to assemble the counterweight balancer (Install when the machine is tilted only)

For operator safety always disconnect the air source before cleaning, lubricating or performing any maintenance. The IM-4P was designed to be operated as a bench table or tilting stand. The counterweight balancer spring is provided with the machine for using just when the machine is tilted. Proceed as follow to attach the counterweight balancer on the machine:

800-334-9060



Fig. 07

- a) Tilt the working table by loosen the knobs on the left and right sides of the stands.
- b) Once the working table is tilted attach one end of the spring over the bolt as shown in Fig. 07 and the other end of the spring attaches to another bolt located besides the cylinder. Once you have done this procedure then connect the machine to the air source.

6.3 - Oil level on lower edge of oil glad

INMES products are constructed to have long duration and are tested one by one. However, we ship the machines without oil inside the lubricator glass and it is necessary to fill the lubricator glass to obtain good performance of the equipment. In order to refill the lubricator glass proceed as follow:

- a) Shut air supply 01 fig. 08
- b) Unscrew the lubricator glass by turning clockwise direction, 02 fig. 08 and 09
- c) Fill the lubricator glass with pneumatic oil, a little more than half glass
- d) Screw the lubricator glass back on making sure the O-ring is sitting correctly in the housing



Fig. 08



Fig.09



Fig.10

The number of drops of pneumatic oil is adjusted at the factory. It is usually not necessary to adjust afterwards. We recommend that the user verify that after every 25 to 30 action of the foot pedal, ONE drop should fall. If it is necessary to adjust, proceed as follow.

Using a screw driver turn clockwise the screw 01 fig. 10 until it is completely closed. Then turn the screw counterclockwise about ¼" until it reaches the correct adjustment as mentioned above.

6.4 - Leveling bolts to adjust the height of the machine

There are four leveling bolts to raise or lower the height of the machine according to the customer preference. In order to make the height adjustment proceed as follow:

- a) Get someone help to tilt the machine
- b) Attach the leveling bolt 01 into the base as shown in fig. 11
- c) Now adjust the desired working height
- d) Using a 24mm wrench fig. 12 and tighten against the base 02 to the nut 03 as shown in fig. 12.

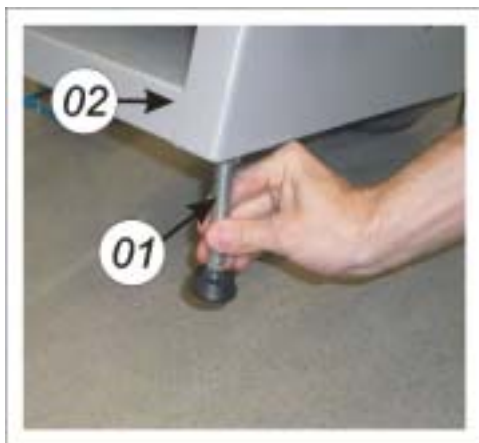


Fig. 11

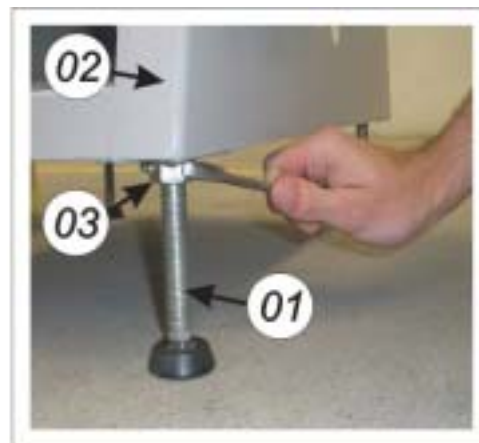


Fig. 12

7 - OPERATION

The IM-4P Underpinner has two versions as follow:

- a) IM-4P Underpinner that uses UNI wedges;
- b) IM-4P Underpinner that uses Cartridge wedges.

7.1 Selecting the wedges

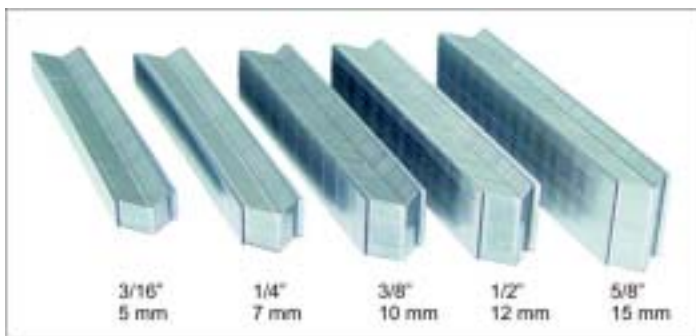


Fig. 13

The Inmes wedges are specially designed to hold the frames pieces firmly together creating a tight joint. There are 5 different sizes 5-7-10-12 and 15mm. Each type of wedges is available for hardwood and softwood as shown in fig. 13.

7.1.2 Loading and changing wedges into the magazine

There is a quick change wedge device located at the rear of the machine for changing wedges, just rotate the knob clockwise and choose the wedge showed the knob arrow as shown in fig. 14 and then pull the wedge shoe back as shown in fig. 15 and 16 and place the wedge stick into the magazine. Make sure the "V" of the wedges is positioning in the direction of the operator and the glue is upside as shown in fig. 17. Important: Make sure there are no wedges inside the magazine before changing the wedge size.



Fig. 14



Fig. 15



Fig. 16



Fig. 17

WARNING
 Before changing the size of the wedge make sure the magazine is empty.

7.2 Selecting the wedges in cartridges

The Inmes wedges in cartridges are specially designed to hold the frames pieces firmly together creating a tight joint. There are 5 different sizes 5-7-10-12 and 15mm. Each type of wedges is available for hardwood and softwood as shown in fig. 18. On the top of each cartridge there is a number which identify the size of the wedge as shown in fig. 18 and 19.



Fig.18

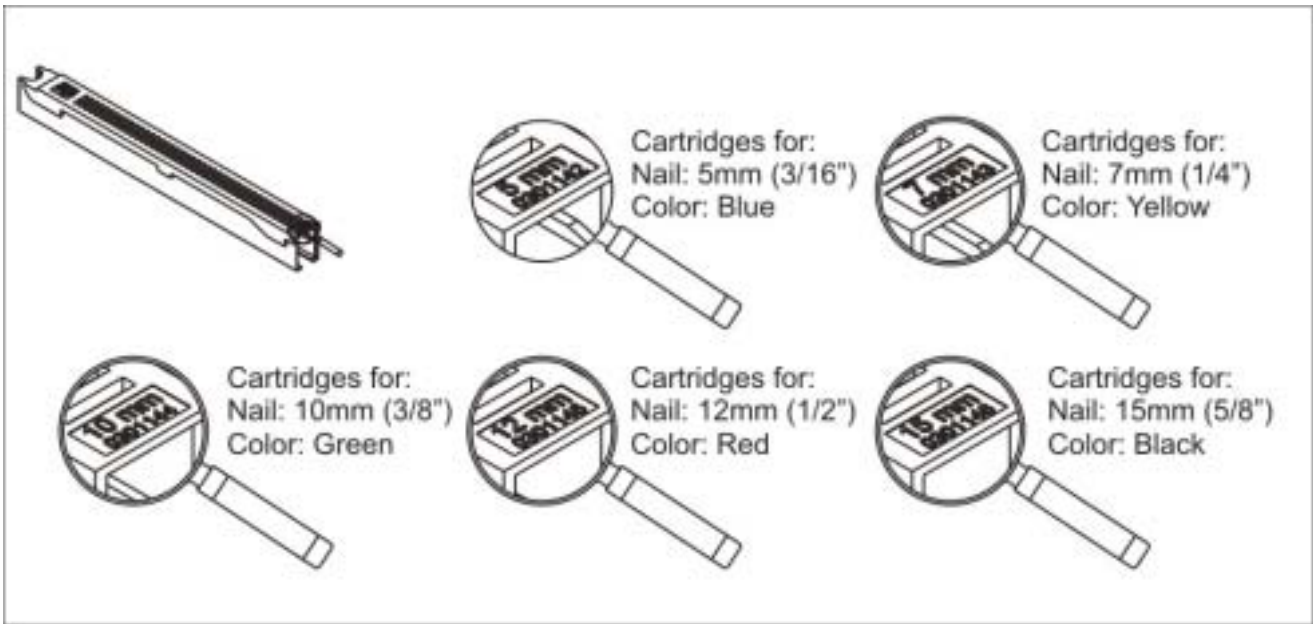


Fig.19

7.2.1 - Loading and changing the cartridge wedges into the magazine

In order to fit the cartridges inside the machine just pull the spring loaded cable as shown in fig. 20. Then fit the cartridge inside the magazine as shown in fig. 21 and make sure the cartridge is sitting correctly inside the magazine and then release the cable as shown in fig. 22. In order to change the size of the wedges, first take out the cartridge from the magazine and place the new cartridge according to your needs as show in fig. 19.



Fig. 20



Fig. 21

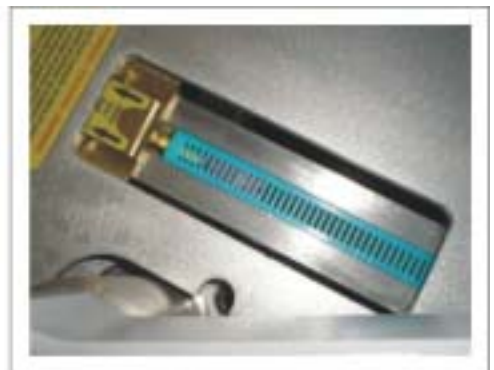


Fig. 22

7.3 - Perpendicularity adjustment (Valid for machines with this accessory only)

This operation can be performed by turning clockwise or anticlockwise the proper knobs 01 and 02 fig. 23. It is very useful in those cases when the base of the moulding is not perpendicular compared with the part of the moulding that leans against the fence. The adjustable fence can be tilted +/- 2°. Before joining the moulding follow this procedure:

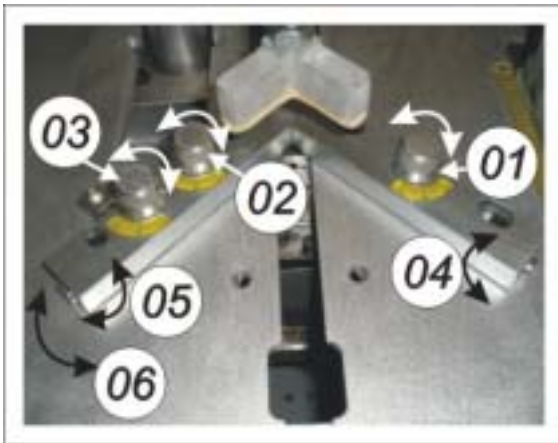


Fig. 23

- a) Place the legs of the moulding against the adjustable fence and set the vertical clamp so that when pedal is depressed, they can hold the moulding properly.
- b) Press the pedal and check the quality of the joint. In the case the joint is not good release the pedal and adjust the perpendicularity of each fence by turning the knobs 01 and 02 fig. 23 and repeat the operation over described above.

7.3.1 - Fence angle adjustment

If during the test above the corner of the frame remains open forward or backward, it is possible to adjust the fence angle of about 1°, 06 fig. 23, and rotate clockwise or anticlockwise the knob 03 fig. 23 on the left fence in fig.23 till the right adjustment is founded.

- a) Loosen two screws from the left fence
- b) Turn clockwise or counterclockwise the button 03 fig. 23 until you reach the desired angle
- c) Tighten the two screws
- d) Make sure to adjust just the left fence. Do not adjust the angle of the right fence, it is adjusted at the factory.

7.4 - Adjustment for the clamping system**7.4.1 - Air pressure regulator for the vertical clamping system**

The working pressure must be adjusted to the hardness of the moulding to be assembled. The pressure regulation allows changing the clamping pressure of moulding to be assembled. When the working pressure is too high this may cause poor joining and moulding crashing. When the working pressure is too low this may cause incomplete insertion of wedge into the frame.

We do recommend setting the air pressure regulator 01 fig. 23 at 6 BARA (85 PSI). Attach the compressed air source to the machine with appropriate "quick disconnect fitting". The source must be filtered and lubricated and not exceed 6 BAR (85 PSI). To increase the air pressure turn it clockwise and counterclockwise to decrease the air pressure.



Fig. 23

Important:

The source should be filtered and lubricated and not exceed 6 BAR (PSI).

7.4.2 - Vertical clamp adjustment

To perform the height adjustment of the Vertical clamp 02 fig. 24 proceed as follow:

- a) Loosen the side handle 01 fig. 24 and adjust the pressure pad 02 fig. 24 over the frame. We do recommend adjusting the height 10mm (3/8") above the frame to avoid accident fingers crushing and correct insertion of the wedges fig. 25
- b) Tighten the handle once you have reached the proper position



Fig. 24

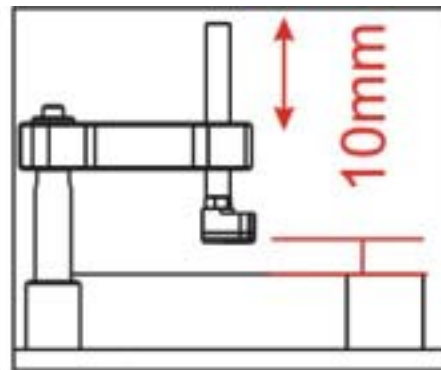


Fig. 25

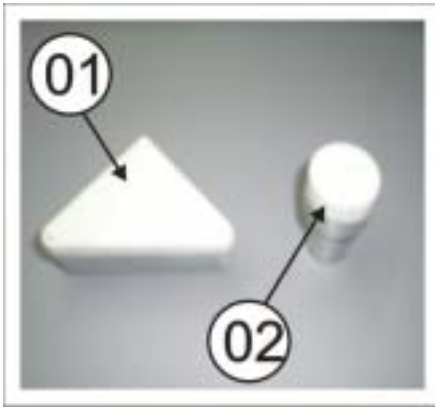


Fig. 26

The IM-4P has triangle and round pressure pads available as shown in fig. 26. These optional pads offer versatility when joining complex profiles.

7.4.3 - Horizontal clamp adjustment

The front clamp has a series of holes in the flat bar fig.26. Lift the bar to take it out of its initial position and make it move forward and backward. To lock the bar it is sufficient to insert it into the proper peg located in the middle of the guide channel. Proceed as follow to position the front clamp properly:

- a) Remove the bar from the peg and move it forward up to reach the moulding to be assembled as shown in fig. 27
- b) Lower the bar to allow the insertion of tracking screw and the locking in the next position
- c) Place the front clamp at 3/8" (10mm) in front of the frame rabbet. Fig. 28

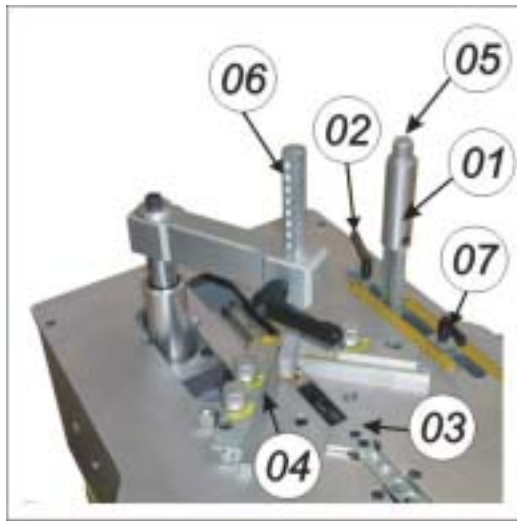


Fig. 27



Fig. 28

7.5 - Positioning the joint-stick



To perform the joining process follows here under procedure:

Place one of the moulding legs in position against the fence 04 figures 29 and 32 and loosen the stops 02 and 07 fig. 29. Now position the joystick 01 fig. 29 about 5mm from the rabbet to insert the first nail and slide the stop 07 fig. 29 against the joystick and tighten the stop and this become the rear stop. Now slide the joystick toward the front to locate the second nail about 5mm from the frame corner and tighten the stop 2 fig. 29 and this will become the front stop.

Fig. 29



Fig. 30



Fig. 31



Fig. 32



Fig. 33

Slide the joystick 01 fig. 29 to the rear position for the insertion of the first nail and place both frames pieces against the fence fig. 33

- a) Set the front clamp 03 fig. 31 about 10mm from the rabbet of the frame;
- b) Adjust the vertical clamp height 06 fig. 31
- c) The IM-4P it is a versatile machine and can be operated as listed on next page
- d) Important: If it is necessary to use 2 or 3 nails proceed as follow: with the clamping system activated, press the joystick to insert the nails. Release the joystick and press again to insert the second nail and repeat this operation to insert as many nails you

7.6 - Options of joining

The IM-4P can be ordered with the following configurations:

- a) 2 stage foot pedal and 1 stage manual fig. 34
- b) 2 stage foot pedal and 1 stage manual and/or 2 stages manual and 1 stage foot pedal fig. 35

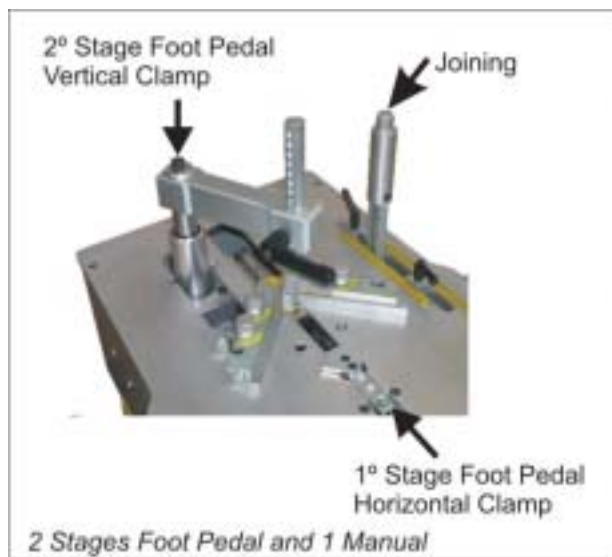


Fig. 34

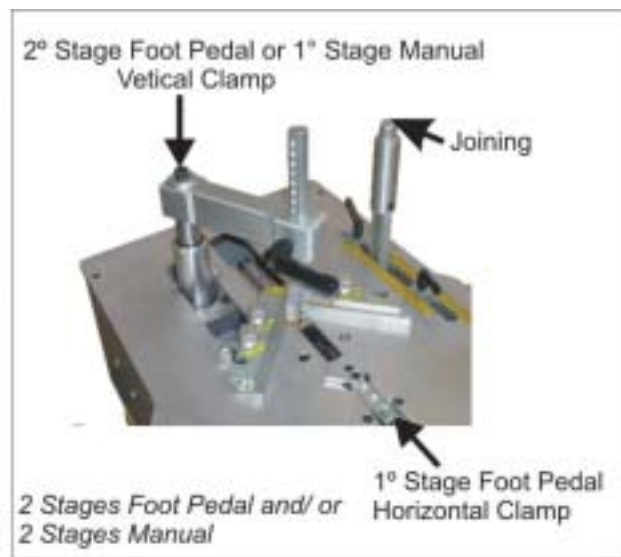


Fig. 35

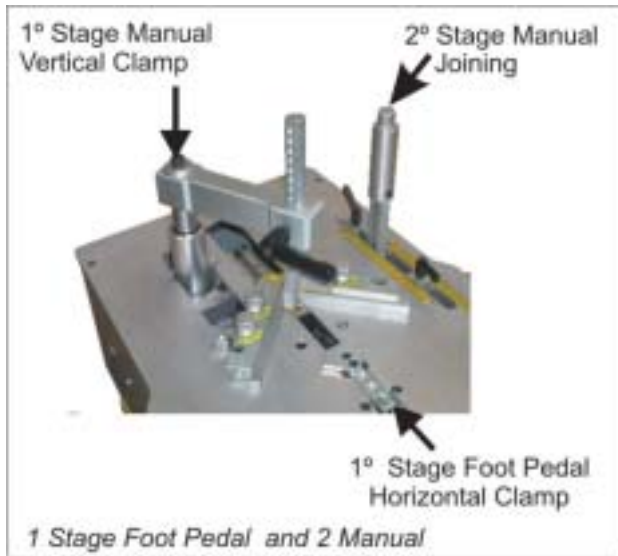


Fig. 36

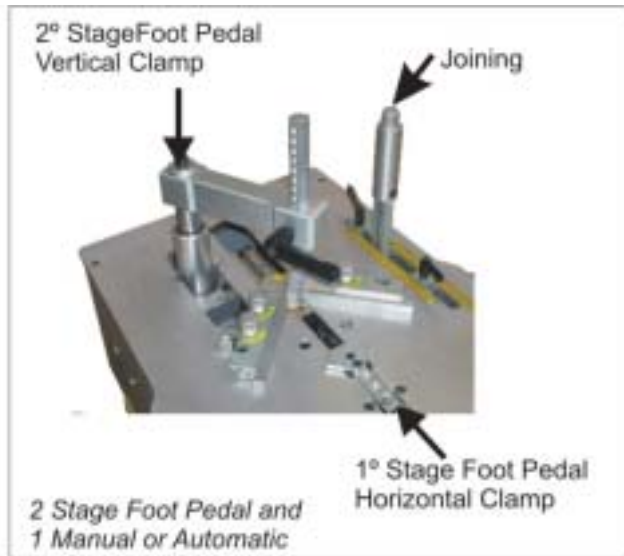


Fig. 37

- c) 1 Stage on foot pedal and 2 stages on manual fig. 36
- d) Automatic - In this case you will have two options: 2 stages on foot pedal and 1 stage on manual fig. 37, or turn on the button 01 fig. 38 to auto position, you will need to press the foot pedal once and the joining process will be executed automatically.



Fig. 38

8 - MAINTENANCE



In order to avoid danger before performing any of the operations described below the machine must be absolutely disconnected from air pressure source!

800-334-9060

This machine will provide years of quality performance if maintained carefully. For operator safety before cleaning, lubricating and maintenance remove the plug from air source to avoid unexpected start-up.

Cleanliness and care guarantee not only a longer life time of the machine but also less risks to operator. So we advise to keep the machine clean and lubricated weekly.

The most important maintenance requirement is cleanliness. Use a brush or clean cloth to wipe the table surface, shafts and pads.

If glue accumulates on the nailing head, wipe it off before it dries, otherwise it will have to be scraped off or removed with the solvent recommended by the glue manufacturer. Be sure glue does not dry on the upper clamp pads because it will damage the top of a frame.

8.1 - Every 8 working hours

- a) Check compressed air condensation in the filter glass
- b) Check the nailing block and make sure it is clean. If not clean it up as per instructions listed on item 8.5
- c)

8.2 Every week

- a) Check the oil level inside the filter lubricator
- b) In case oil is needed add for pneumatic circuits low density and follow the instructions recommended on item 6.4

8.3 Air filter lubricator and oil lubricator (See item 6.4)



For operator safety always disconnect the air source before cleaning lubricating or performing any maintenance.

8.4 - Air filter lubricator

When compressed air leaves the air source it comes with water, impurity and dust, so the functions of the filter lubricator is to filter the compressed air eliminating water and collecting dust and other impurities inside the filter glass. Every source of compressed air differs from one another, so consecutively, quantity of water and impurities are collected. That's why we strongly recommend that the customer verify

800-334-9060

daily the oil level and water inside the air filter lubricator. When it is necessary to empty the water inside the filter glass, (it is not necessary to shut air supply) just loosen the drain located under the bottom of the filter 02 fig. 39. However, we do recommend cleaning the filter lubricator located inside the filter glass at least once a week. In order to clean it up, proceed as follow:

- Shut air supply
- Unscrew the filter glass by turning clockwise direction
- Unscrew the filter (white piece) by turning clockwise direction and use compressed air to clean it up fig. 40
- Once these procedures are done the screw filter back to its original position
- Screw the lubricator glass back on making sure the O-ring is sitting correctly in the housing.



Fig. 39



Fig. 40

8.5 - How to remove the nailing head and clean it

For operator safety always disconnect the air source before cleaning, lubricating or performing any maintenance.

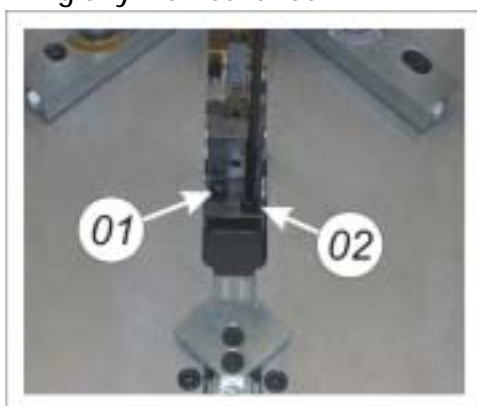


Fig. 41

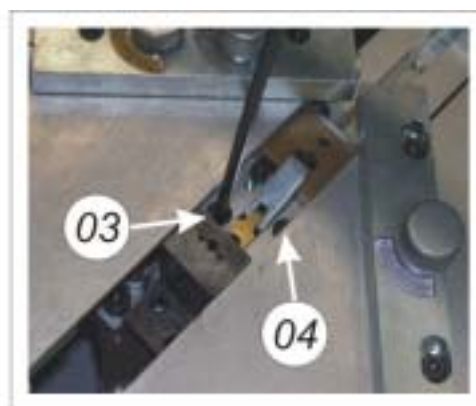


Fig. 42

800-334-9060

- a) Using the 5mm Allen key loosen the locking screws 01 and 02 fig. 41 of the nailing head. Then loosen the locking screws 03 and 04 of the magazine fig. 42 ;
- b) Then use your hands pull back the magazine a little bit fig. 43. Now you are able to remove the nailing head and accomplish your regular maintenance.



Fig. 43



Fig. 44

- c) Once you have the nailing head out of the machine place it on a flat surface and use a 4mm Allen wrench to loosen and remove the 4 screws as shown in figs. 45 and 46.



Fig. 45



Fig. 46

- d) Clean the inside of the nailing head using a cloth and a drop or two of pneumatic oil. After cleaning, wipe down the nailing head with a dry cloth. Then put one drop of pneumatic oil on the inside of the nailing head;
- e) Before mounting the nailing head we suggest you use a flat surface (like a mirror) fig. 47 in order to give a precise alignment of the two parts. If the top and sides are not in precise alignment, it will not work properly;

800-334-9060

- f) When attaching the nailing head over the drive pin make sure to place it according to fig. 45 ;



Fig. 47



Fig. 48

- g) Place the nailing head on its original position and using the 5mm Allen key and tighten the locking screws 01 and 02 of the nailing head fig. 41. Then place the magazine on its original position fixed to the nailing head and tighten the locking screws 03 and 04 of the magazine fig. 42.

8.6 How to change the nail pusher

For operator safety always disconnect the air source before cleaning, lubricating or performing any maintenance.

In order to remove the nail pusher, follow these procedures:

- Tilt the working table;
- Disconnect the air hose source 01 fig. 39 and loosen the two locking screws 02 fig. 50;
- Now use a 6mm Allen key to remove the screws 02 fig. 49 and the cylinder support;
- Use a 6mm Allen key to loosen the four screws and remove the cylinder lid as shown in fig. 51/52;
- Then use a pair of pliers to remove the complete device for the nails pusher cylinder as shown in fig. 53;
- Once you have the nail pusher out and add a small amount of pneumatic oil around the new rubber gasket;
- Carefully place the new one back inside the cylinder making sure the top edge of the rubber gasket is inside the cylinder before pushing, if not, damage may occur to the rubber gasket. Also, make sure the nail pusher is in the nailing head as showing if fig. 55;

800-334-9060

- Once you have the complete nail pusher device into the cylinder, reassemble the cylinder lid with the 6mm Allen key and tighten the four screws as shown in fig. 51. Also attach the cylinder support and tighten the screws 01 fig. 49;
- Finally attach the air hose to the cylinder and with the nails out make few tests before you start production;

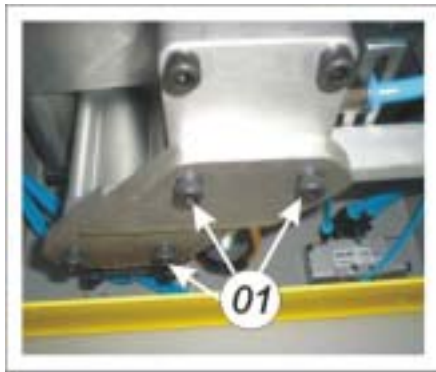


Fig. 49

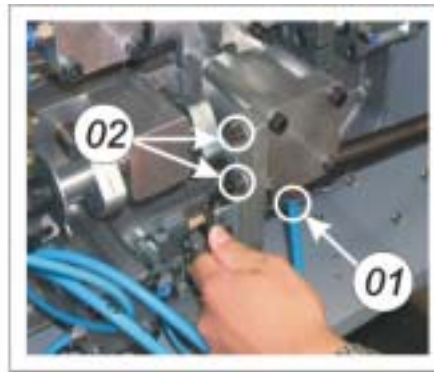


Fig. 50



Fig. 51



Fig. 52



Fig. 53



Fig. 54

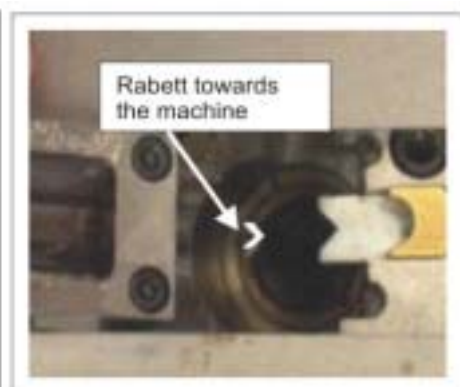


Fig. 55

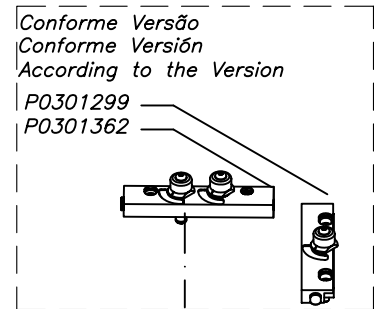
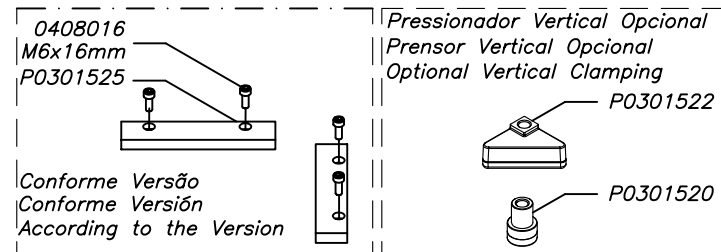
9 - PART LIST

Code	Description	Code	Description
0301225	Support for the counterweight balancer	0407274	Sensor 1/8" - 4mm
0301238	Magazine base IM-4P (Z)	0407286	Connection M5 - 4mm
0301240	Pin IM-4P (Z)	0407288	T connection 1/8" - 8mm
0301242	Nail definer IM-4P (Z)	0407289	T connection 4mm
0301245	Shaft IM-4P	0407299	Short mufler 1/8"
0301247	Washer (Z)	0407462	Manometer 1/8"
0301249	Washer for the knob IM-4P (Z)	0407463	Air pressure regulator R 1/8" without manometer
0301266	Activator for the valve IM-4P	0407465	Oil lubricator 1/4"
0301270	Shaft housing IM-4P	0407466	Valve 5/2 vias 1/8"
0301274	Support for the activator SU IM-4P	0407467	Valve 3/2 vias M5
0301297	Right stop washer IM-4P (Z)	0407469	Valve "OU" 1/8"
0301309	Tilting axle IM-4P (Z)	0407470	Valve 5/2 vias 1/8"
0301310	Washer IM-4P (Z)	0408004	Allen screw internal M3x10mm
0301348	Nail size indicator IM-4P (Z)	0408007	Allen screw internal M4x10mm
0301352	Vertical bar IM-4P (Z)	0408009	Allen screw internal M4x20mm
0301360	Cylinder IM-4P (Z)	0408010	Allen screw internal M4x25mm
0301371	Nails guide complete with bushing IM-4P	0408011	Allen screw internal M4x30mm
0301372	Housing with bushing IM-4P	0408012	Allen screw internal M5x08mm
0301378	Tracking screw IM-4P (Z)	0408015	Allen screw internal M5x25mm
0301388	Shorter support IM-4P	0408016	Allen screw internal M6x16mm
0301399	Left stop washer IM-5P (Z)	0408019	Allen screw internal M6x25mm
0301406	Shaft IM-4P complete	0408020	Allen screw internal M6x30mm
0301411	Spring stop IM-4P	0408021	Allen screw internal M6x35mm
0301471	Shorter guide shaft IM-4P (C)	0408022	Allen screw internal M6x40mm
0301473	Longer guide shaft IM-4P (C)	0408025	Allen screw internal M8x16mm
0301474	Valve 5/2 2 stage	0408031	Allen screw internal M8x45mm
0301487	IM-4P working table	0408037	Allen screw internal M10x25mm
0301490	Clamp support IM-4P	0408053	Allen screw internal M6x16mm
0301492	Vertical clamp	0408066	Nut MA 5mm zinc
0301497	Cylinder for the front clamp D40mm IM-4P	0408070	Nut M12 Zinc DIN 934
0301501	Support for the cylinder IM-4P (Z)	0408075	Allen key 5mm
0301503	Cylinder support IM-4P (Z)	0408089	Allen screw internal M6x10mm
0301505	Guide IM-4P (Z)	0408104	Allen screw internal M5x8mm
0301508	Guide peg IM-4P (Z)	0408143	Allen screw internal M5x10mm
0301509	Cylinder vertical clamp D63 IM-4P	0408144	Rivet 3,2 x 10,2mm
0301512	Nails guide exclusive for IM-4P cartridge version	0408149	Nut MA 16mm (Z)
0301513	Support nail guide	0408160	Nut MA M4mm (Z)
0301515	Nail pusher for IM-4P cartridge version	0408177	Nut MA 6mm zinc
0301518	Support for cylinder vertical	0408179	Nut MA 8mm zinc
0301523	Support cylinder	0408180	Allen screw internal M6x55mm
0301527	Movement bar IM-4P (Z)	0408200	Washer 1/4" zinc steel
0301529	Foot pedal shaft	0408201	Washer 5/16" zinc steel
0301531	Shaft	0408219	Washer 3/8" zinc steel
0301533	Housing shaft foot pedal IM-4	0408250	Allen screw internal M5x10mm
0301534	Foot pedal	0408256	Allen screw internal M5x05mm
0301535	Base foot pedal	0408282	Allen screw internal M6x20mm
0301537	Washer for the knob IM-4P (Z)	0415020	Handle MTF 6040-M8
0301539	Washer	0416053	Spring
0301540	Handle M8x20mm IM-4P	0416056	Spring
0301541	Left wing extension table IM-4P	0416059	Spring
0301542	Right wing extension table IM-4P	0417027	Self-locking nut 3D6 DIN 6799
0301549	Foot pedal guard IM-4P	0417070	Cotter 5x5x12mm
0301554	Tilting stand IM-4P	0417074	Self-locking
0301560	Tilting plate IM-4P	0419100	Table measure in inches

0301563	Spring support IM-4P	0419102	Table measure in millimeters
0301566	Support for the guide shaft IM-4P	0504366	Instructions manual IM-4P
0301567	Valve 5/2vias 1/8" 1 stage	P0301223	Complete nail pusher IM-4P
0301574	Maganetic tube	P0301291	Front clamp IM-4P
0302249	Washer	P0301299	Right moulding fence IM-4P
0405031	Warning label	P0301320	Pad IM-4P
0405120	Serial number label	P0301362	Left moulding fence IM-4P
0405159	Safety lable	P0301369	Nut IM-4P
0405185	Label	P0301373	Complete nailing head IM-4P
0405186	Label	P0301516	Nail strip pusher
0405251	Label	P0301520	Vertical round pad IM-4P
0407005	Blue tube PU 6x4mm	P0301522	Vertical pad IM-4P
0407006	Connection 1/8" - 6mm	P0301525	Fixed fence IM-4P
0407007	Connection 1/4" - 6mm	P0301575	Kit valve 5/2" vias 1/8" - 2 stage
0407008	Blue tube PU 4,2,5mm	P0301576	Kit valve 5/2" vias 1/8" - 1 stage
0407027	Blue tube PU 8x5,5mm	P0301577	Kit cylinder Inmes 63mm x 90,5mm
0407036	Connection 1/8"- 8mm	P0301578	Nail strip pusher for cartridge version IM-4P
0407038	Connection 1/4"x 8mm	P0302045	Handle M45 M6x19mm
0407049	Connection 1/8" - 6mm	P0407361	Kit oil lubricator
0407051	Connection 1/8" - 8mm	P0407362	Kit valve 5/2" vias 1/8"
0407053	Connection 1/4"- 6mm	P0407363	Kit valve 5/2" vias 1/8"
0407055	Connection 1/8" - 4mm	P0407364	Kit air pressure regulator R 1/8"
0407224	Muffler M5	P0415021	Handle M10x25mm with washer
0407227	Male connector 1/8" x 5/16"	P0416014	Traction spring 20,00 x 200,00 x 2,0mm
0407236	Connection 1/8"	P0416057	Spring IM-4P
0407254	Connection 1/8" - 4mm	P0416072	Traction spring 8x60x0,70mm

Kit reparo para Válvulas e Cilindros
 Kit de reparo para Válvulas y cilindros
 Valves and cylinder Kit repair

Cód.	Kit
0301509	P0301577
0301497	P0301314



0408282
M6x20mm

0301411

0416059

0408089
M6x10mm

0408037
M10x25mm

0301539

0301490

0405031

0301540

0301492

0408070
Porca M12

P0301320

P0302045

0301297

0405185

0301399

0408016
M6x16mm

0419100

0419102

0301487

P0301369

0301378

P0301291

0408089
M6x10mm

0301508

0408016
M6x16mm

0301503

0408089
M6x10mm

0301505

0408010
M4x25mm

0301501

0301497

0407055
R1/8"-4

0408020
M6x30mm

0408177

Porca M6

0301473

0408031
M8x45mm

0408031
M8x45mm

0301518
C/Bucha

0301566

0408256
M5x5mm

0408180
M6x55mm

0408020
M6x30mm

0408177
Porca M6

0408031
M8x45mm

0301388
C/Bucha

0301471



0301509

0407007
L1/4"-6

0407053
R1/4"-6

0301523

0408031
M8x45mm

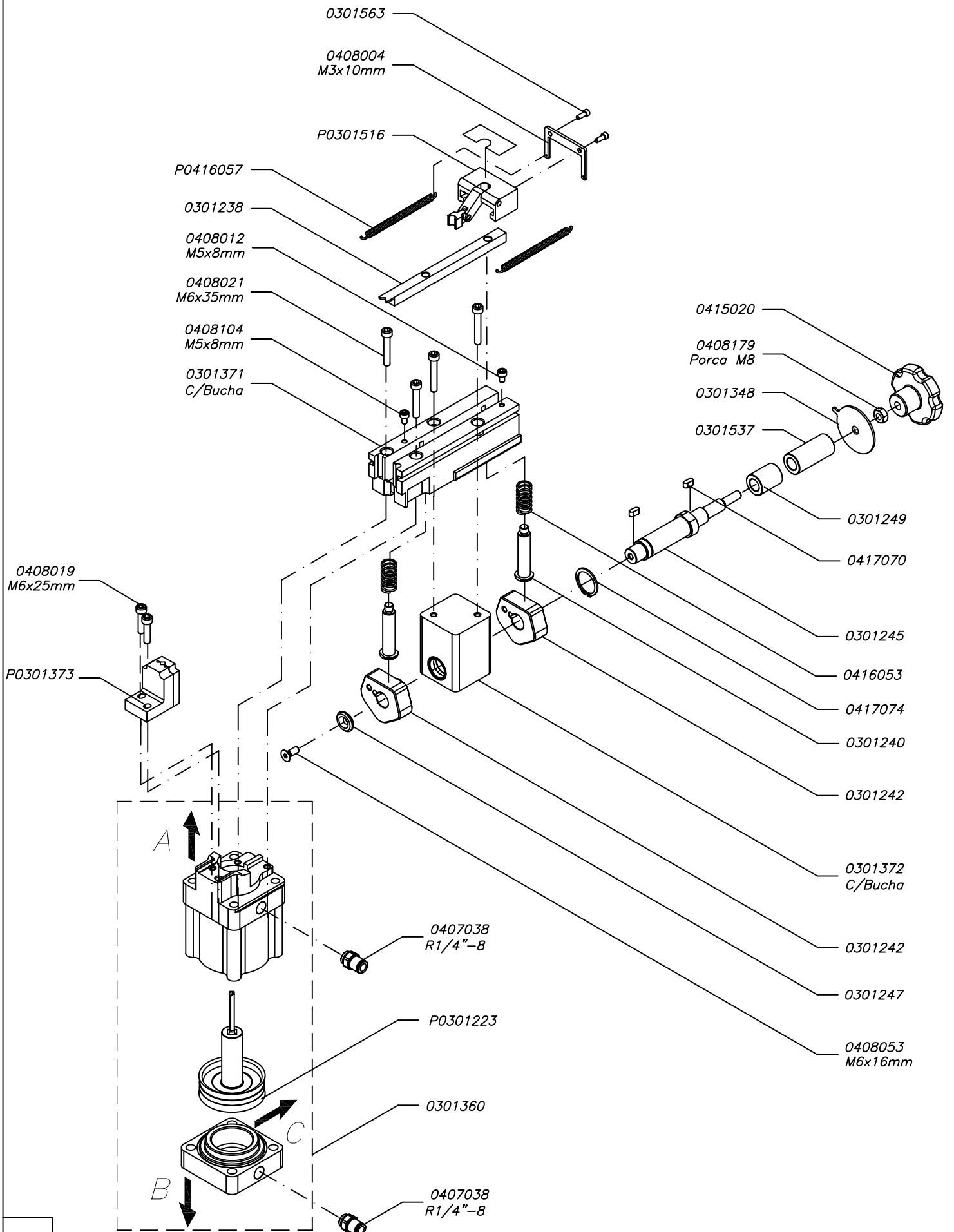
Grampo Cartucho – Conforme Versão

Grapas en Cartuchos – Conforme Versión

Wedges in Cartridges – According to the Version

Kit reparo para Válvulas e Cilindros
Kit de reparo para Válvulas y cilindros
Valves and cylinder Kit repair

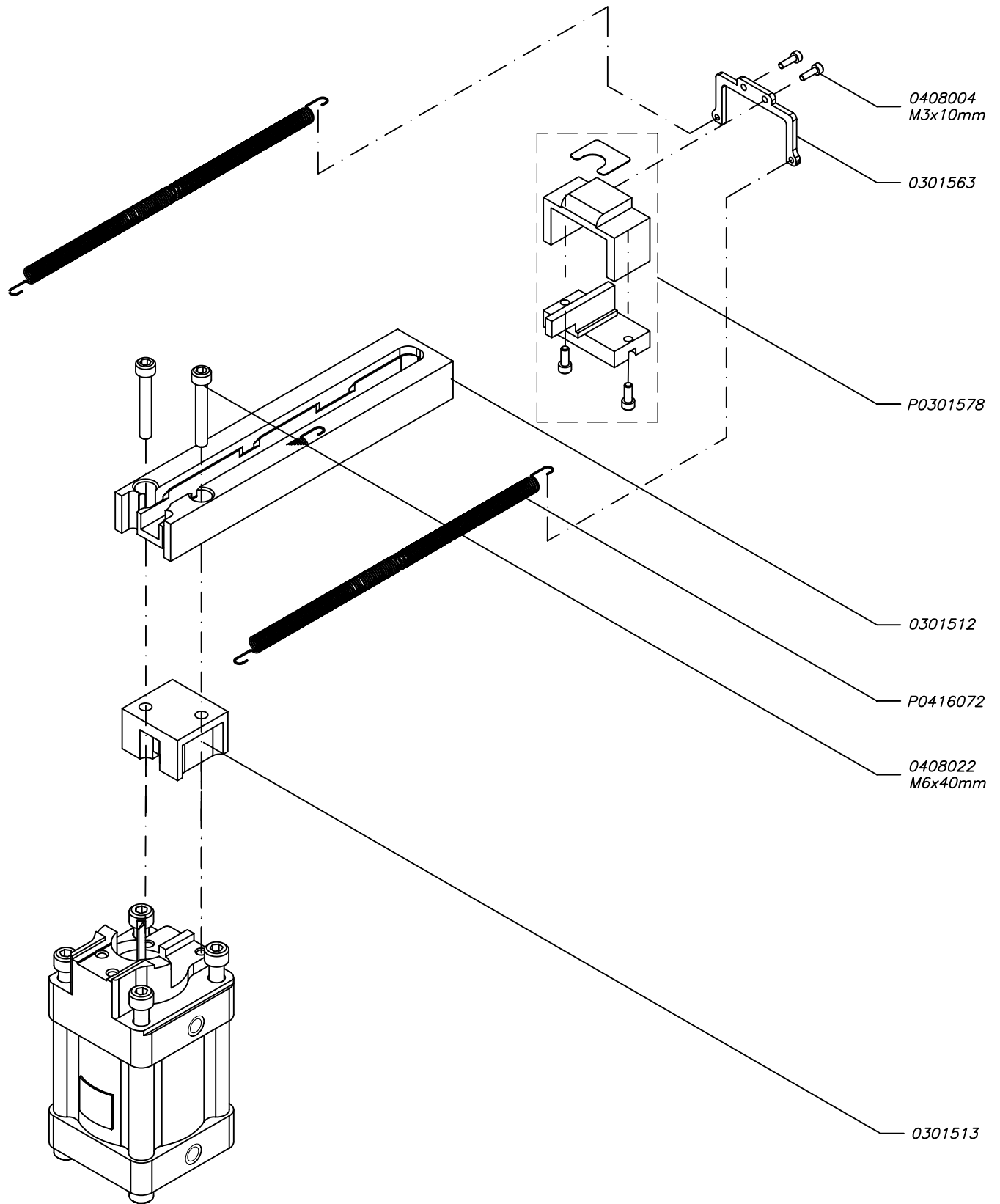
Cód.	Kit
0301360	P0301223

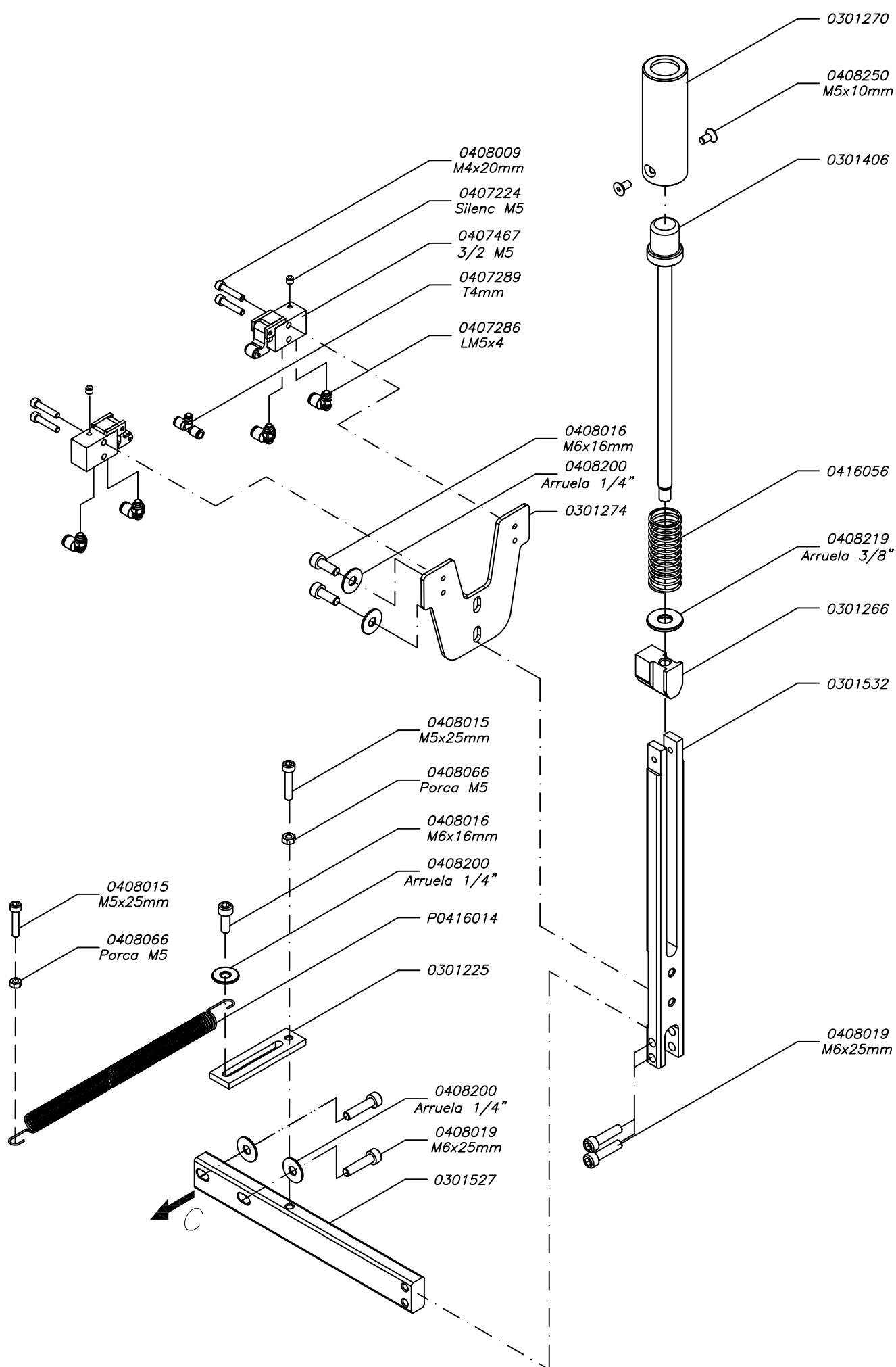


Grampo Cartucho – Conforme Versão

Grapas – Conforme Versión

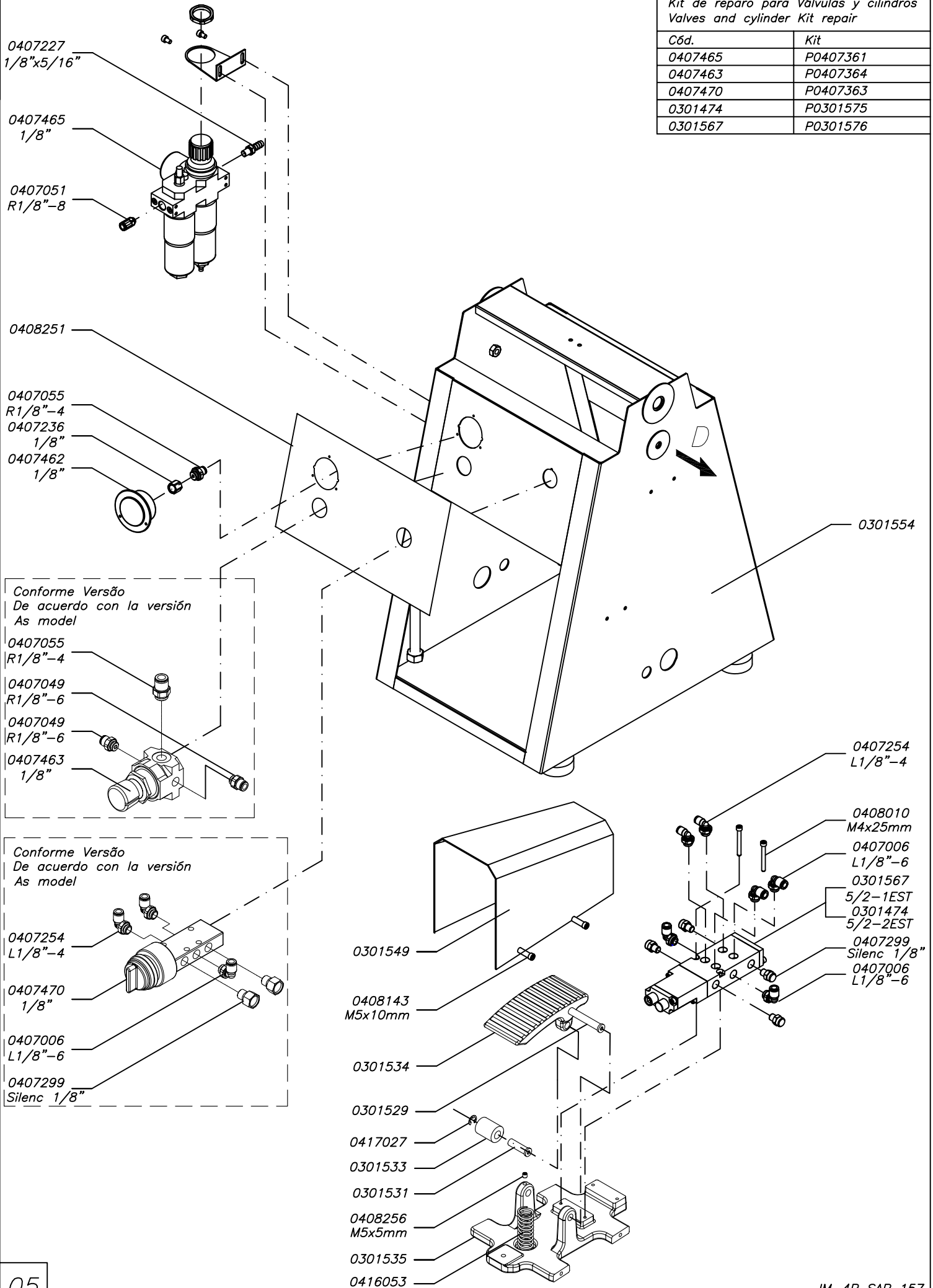
Wedges – According to the Version





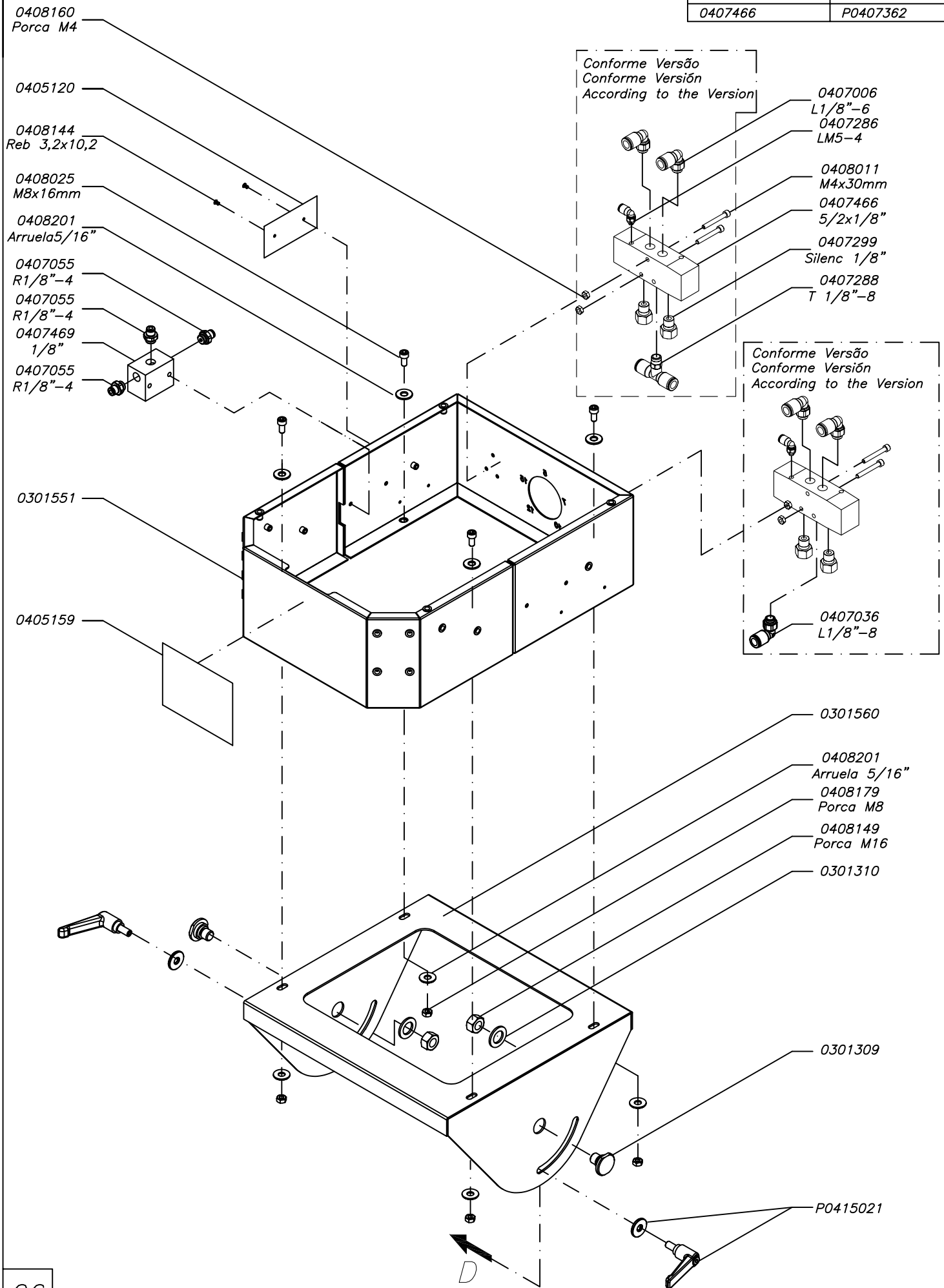
Kit reparo para Válvulas e Cilindros
 Kit de reparo para Válvulas y cilindros
 Valves and cylinder Kit repair

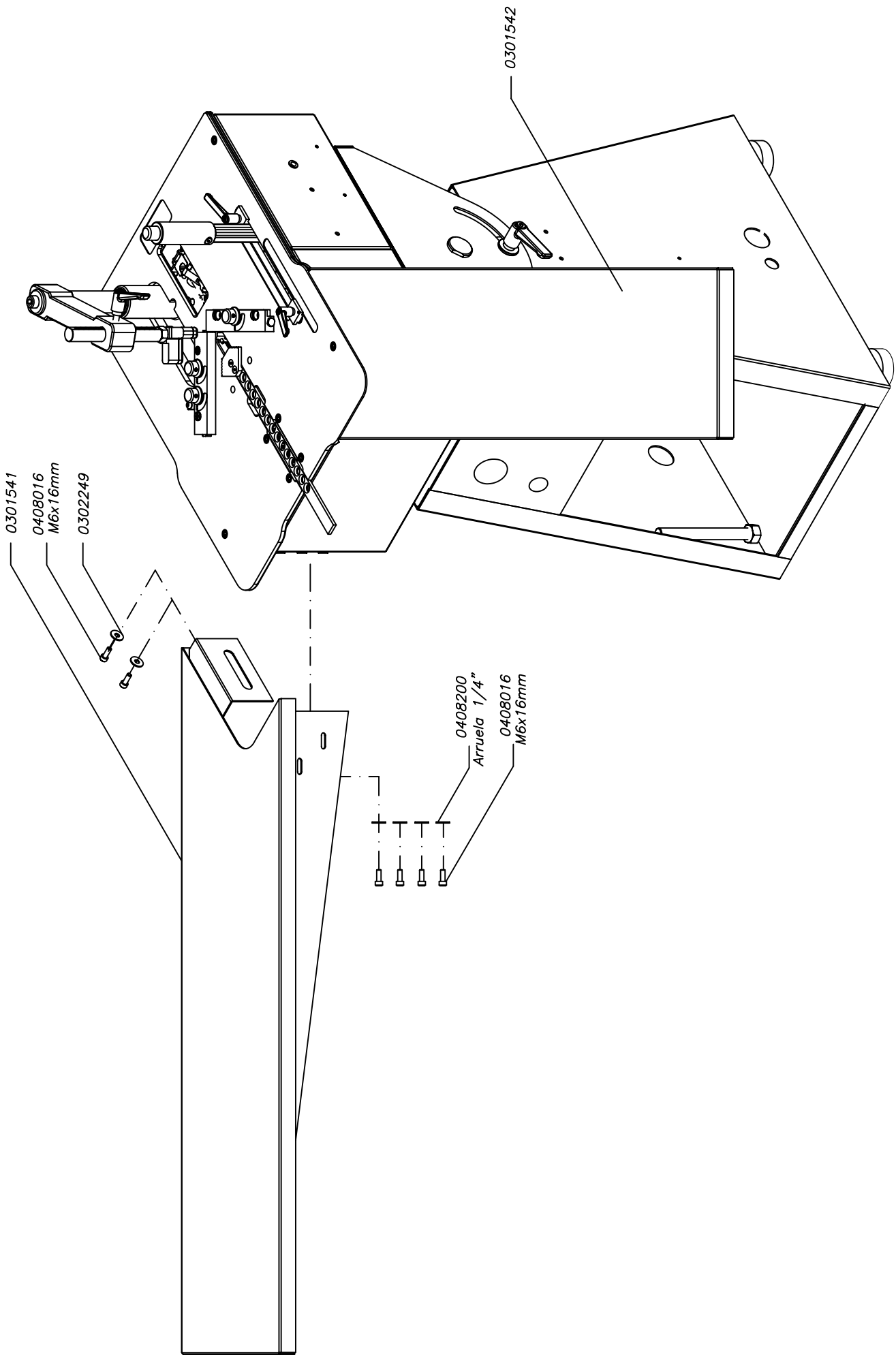
Cód.	Kit
0407465	P0407361
0407463	P0407364
0407470	P0407363
0301474	P0301575
0301567	P0301576



Kit reparo para Válvulas e Cilindros
 Kit de reparo para Válvulas y cilindros
 Valves and cylinder Kit repair

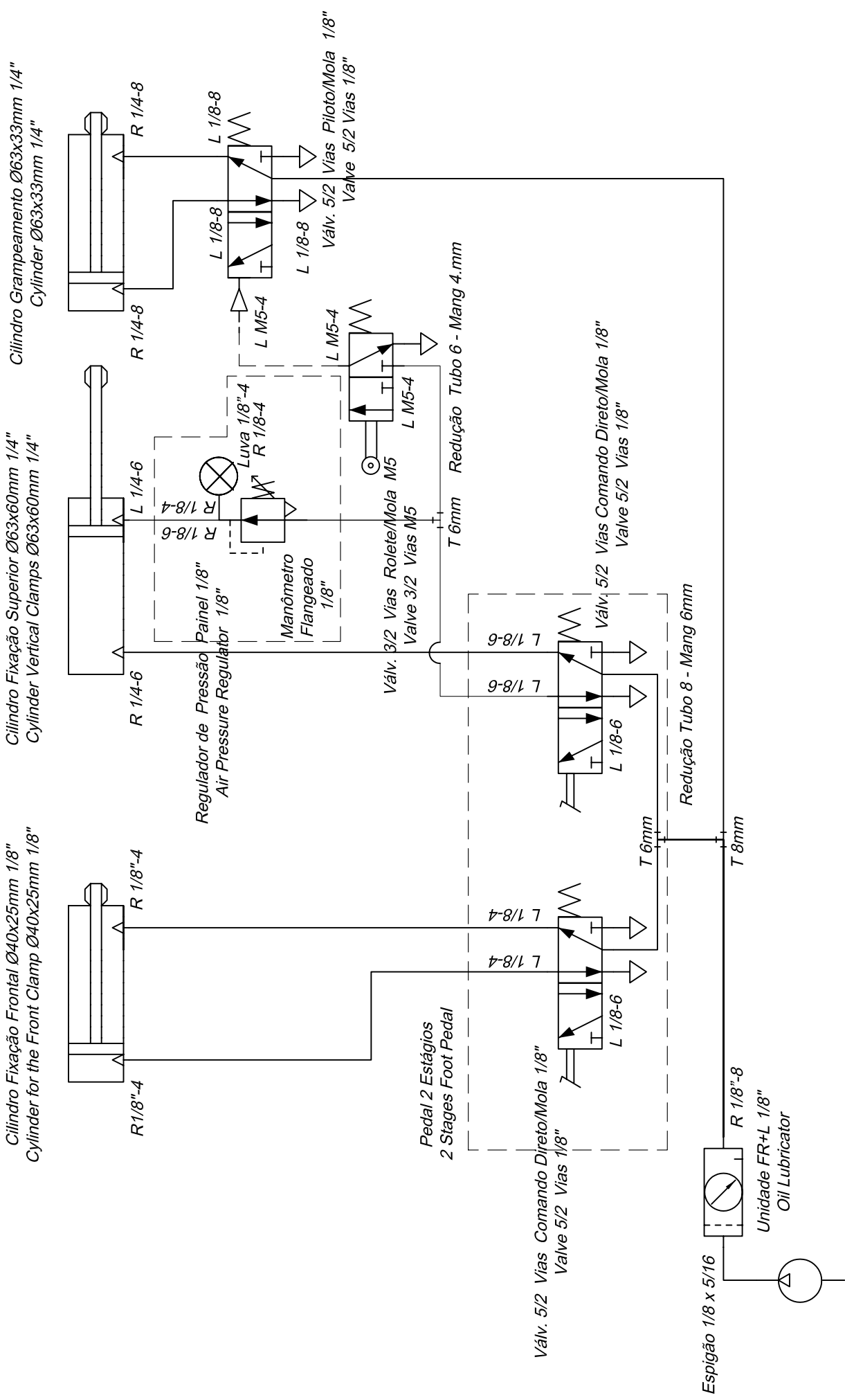
Cód.	Kit
0407466	P0407362



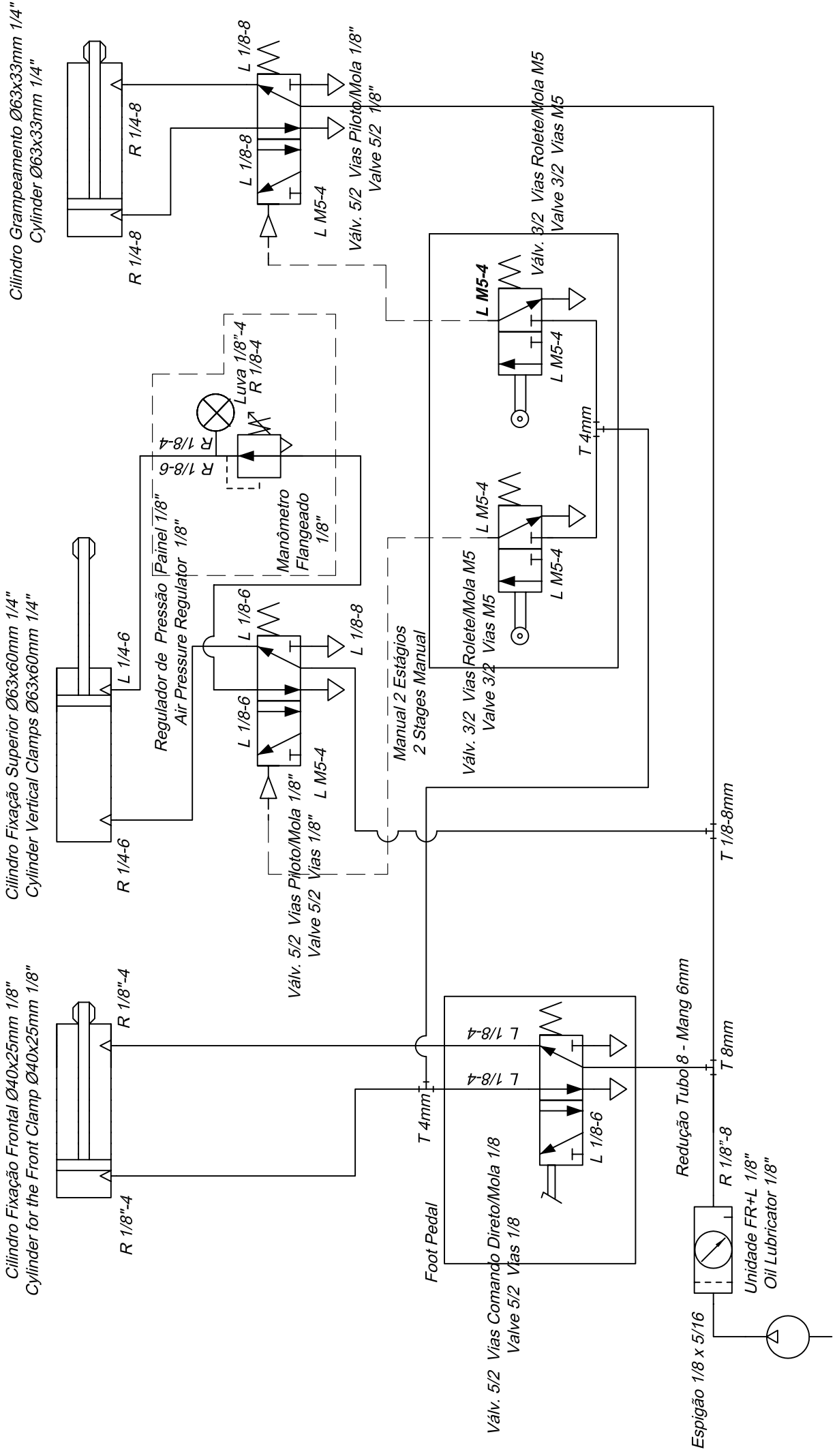


Esquema Pneumático IM-4P - 2 Estágios Pedal e 1 Manual

Pneumatica IM-4P Underpinner - 2 Stages Foot Pedal and 1 Manual

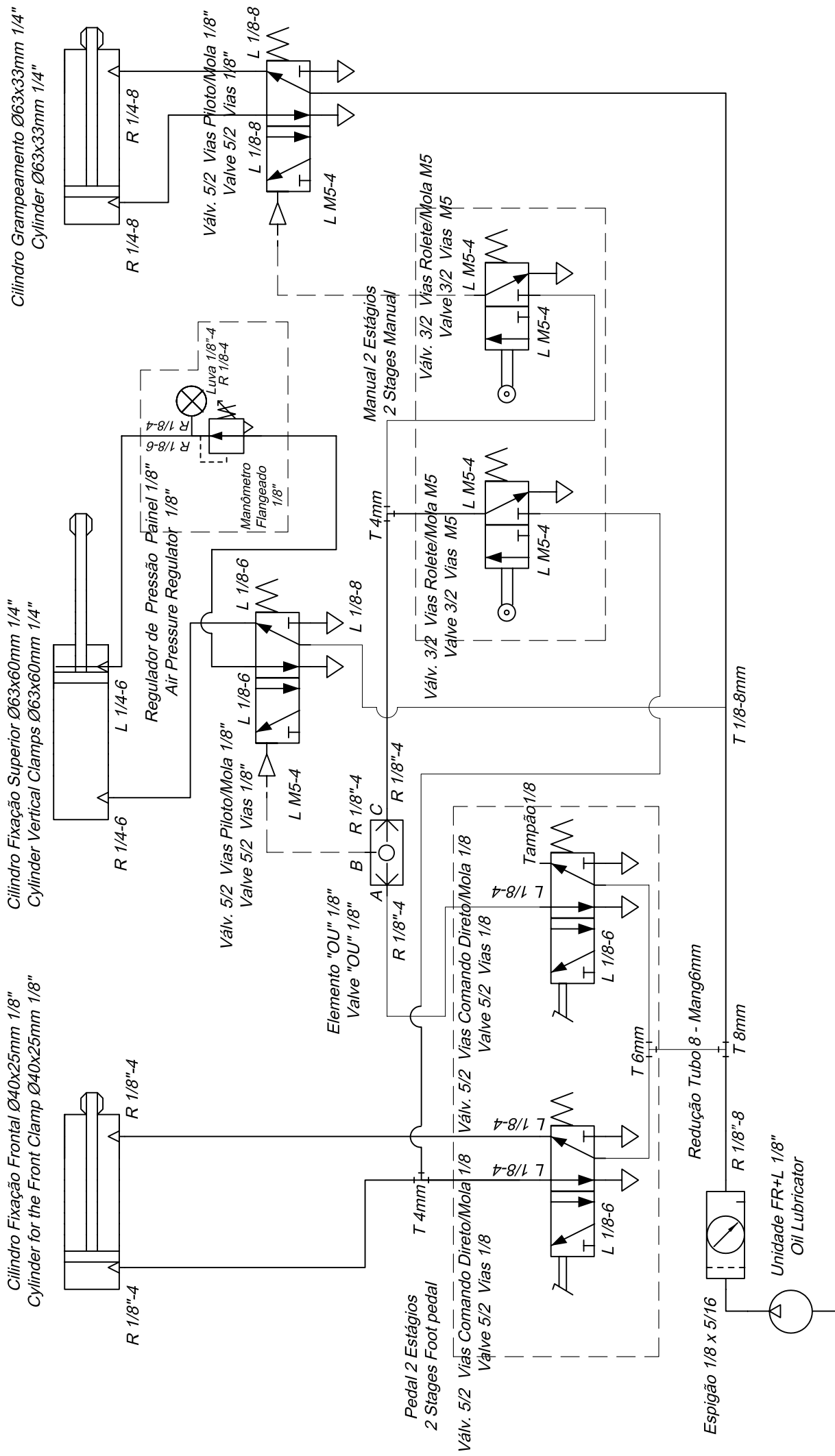


Esquema Pneumático IM-4P - 2 Estágios Manual e 1 Pedal Pneumatica IM-4P Underpinner - 2 Stages Manual and 1 Foot Pedal



Esquema Pneumático IM-4P - 2 Estágios Pedal e 2 Estágios Manual

Pneumatica IM-4P Underpinner - 2 Stages Foot Pedal and 2 Manual





TERMO DE GARANTIA

Os equipamentos da INMES Industrial Ltda, são garantidos por um período de 365 dias a partir da emissão da nota fiscal.

A obrigação da Assistência Técnica INMES, nos termos desta garantia, consiste no conserto do equipamento defeituoso.

Eventuais despesas de adaptação do local para a instalação dos equipamentos são de responsabilidade do cliente proprietário.

A garantia cobre qualquer tipo de defeito de fabricação, materiais, peças e a devida mão-de-obra para o conserto, quando devidamente comprovada pela INMES, ou um de seus Assistentes Técnicos Autorizados (ATI's).

Os equipamentos de fabricação de terceiros, que compõem os equipamentos INMES (Ex: motores, componentes pneumáticos, componentes elétricos, etc.) estão sujeitos as condições de garantia de seus respectivos fabricantes.

Não estão inclusas nesta garantia eventuais visitas solicitadas para limpeza ou reajuste do equipamento, devido ao desgaste decorrente do uso normal.

O cliente (comprador), será responsável pela locomoção do técnico até o local a ser efetuada a manutenção, alimentação e estadia se forem necessárias, bem como despesas com frete para encaminhamento e retorno do equipamento ao ATI's mais próximo, ou à fábrica.

Caso o cliente solicite alteração das características originais do equipamento, estas são de sua inteira responsabilidade.

Esta garantia será imediatamente cancelada se o equipamento sofrer acidente no decorrer do transporte, se for instalado em condições impróprias, como exposto a intempéries umidade, maresia, etc, se para o seu conserto forem utilizadas peças não originais INMES, ou se forem executados reparos por pessoas não autorizadas pela INMES Industrial Ltda.

No caso das máquinas de grampear, a garantia será cancelada no caso da utilização de grampos não originais INMES.

Esta garantia não cobre os problemas ocasionados por maus tratos, descuidos e mau uso do equipamento (operação do equipamento por pessoas não capacitadas para tal), em desacordo com o manual de instruções do mesmo.

Em nenhum caso a INMES Industrial Ltda, poderá ser responsabilizada por perda de produtividade, danos diretos ou indiretos, reclamações de terceiros, paralisações ou ainda quaisquer outras perdas ou despesas, incluindo lucros cessantes.

É imprescindível a apresentação do Termo de Garantia, devidamente preenchido para fazer uso da garantia, este sempre acompanhado da nota fiscal de compra do equipamento.

Ao solicitar o atendimento da garantia, tenha em mãos o Termo de Garantia.

Evite chamadas desnecessárias, caso ocorra algum problema com seu equipamento INMES, certifique-se do problema antes de chamar a assistência técnica.

Dados do Cliente e do Equipamento:

Nome/Razão Social do Cliente: _____

Endereço: _____

Equipamento/Modelo: _____ N de Série: _____

Nota Fiscal N : _____ Data: ____/____/____

Revendedor: _____

Local: _____ Data: ____/____/____

Relação Assistentes Autorizados
Atualização - 14/04/2008

Código	Nome do ATI	Endereço	Bairro	Cidade	Estado	CEP	Telefone	Contato	E-mail
2468	LEANDRO BEZERRA SILVA ME	RUA MANOEL DE FARIAS 118	CENTRO	BATALHA	AL	57420-000	(82) 35311-100	Leandro	leandrochorao@ig.com.br
2825	MARCELO CAMARA PONTES ME	RUA JOAQUIM NABUCO 1353	ALDEOTA	FORTALEZA	CE	60125-120	(85) 3212-1313	Alison	marcelo@moldufort.com.br
1485	MOLDUSSOLY COM.DE ACESSÓRIOS E MAQ. LTDA	RUA JOAQUIM NABUCO, 363	NUCLEO COLONIAL	PINHAIS	PR	83321-120	(41) 3667 1111	Aciole	moldussoly@moldussoly.com.br
2376	COSCRATO & COSCRATO LTDA	RUA LOURENCO DA VEIGA 600	JARDIM SABARA	LONDRINA	PR	86066-120	(43) 3028-9779	Denilson	irmac@onda.com.br
3236	ARTEMASSA PRODUTOS VIDRACARIA LTDA	AV COLOMBO, 8168	ZONA 06	MARINGÁ	PR	87080-190	(44) 3031-0991	Marcos	artemassamaq@hotmail.com
2862	GGE- GRAMPEADORES E GRAMPOS ESPECIAIS	RUA DA REGENERAÇÃO 331	BOM SUCESSO	RIO DE JANEIRO	RJ	21040-170	(21) 3977 5277	Francisco	ggregrampeadores@hotmail.com
2868	ARTE FUTURA IND. E COM. DE MOLDURAS LTDA	RUA JOSE DOMIGUES, 331	ENCANTADO	RIO DE JANEIRO	RJ	93336-290	(51) 3594 1060	Demerval	afutura@terra.com.br
2995	TEGNOAR COMÉRCIO E ASSISTENCIA LTDA	ROD.BR 116 KM 31,97	RIO BRANCO	NOVO HAMBURGO	RS	93336-290	(51) 3594 1060	Luiz	techoar@brturbo.com
3146	ELETRO ROCEL LTDA	RUA SÃO PAULO 898	BORGO	BENTO GONÇALVES	RS	95700-000	(54) 3454 1060	Ronaldo	rocel@brturbo.com
4879	BOSSARDI COMERCIO E IND. MECÂNICA LTDA	RS 115 Km 37 nr 150 Saia 01	VARZEA GRANDE	GRAMADO	RS	95670-000	(54) 3288 1776	Alfeu	bossardi@gramadosite.com.br
881	PEREIRA COM DE MOLDURAS LTDA	TRAV. JOSE CHAGAS SEIXAS, 97	PATRONATO	SANTA MARIA	RS	97020-450	(55) 3027-2602	João	pmoldura@terra.com.br
729	ELO MANUTENÇÃO E COM. DE MÁQUINAS LTDA	RUA VICE PREF. LUIZ CARLOS GARCIA 82	COSTA E SILVA	JOINVILLE	SC	89218-340	(47) 3435 5050	Pedro	elomaq@brturbo.com.br
3684	CSG AUTOMAÇÃO INDUSTRIAL LTDA	RUA CARLOS PSCHHEIDT 395	COLONIAL	SÃO BENTO DO SUL	SC	89290-000	(47) 3634 0372	Valdecir	csg.automacao@terra.com.br
3653	ELETRO PANSERA LTDA ME	AV. BRASÍLIA, 1887	CENTRO	PINHALZINHO	SC	89870-000	(49) 33366 1656	Gelton	eletropansera@yahoo.com.br
5667	ELF AUTOMAÇÃO INDUSTRIAL LTDA.	RUA PREFEITO DIB CHEREN, 2965	CAPOEIRAS	FLORIANÓPOLIS	SC	88090-001	(48) 3248 6240	Felippe	elf@interdate.com.br
2701	J.F. MEDEIROS ME	RUA JOSÉ EMÍDIO DE FARIAS 2335	CENTRO	MIRASSOL	SP	15130-000	(17) 3242 7088	Kiko	imgrambeadores@terra.com.br
3576	EDSON SOUZA ALVES	RUA GONCALO BARROS, 665	CAPÃO REDONDO	SÃO PAULO	SP	05881-000	(11) 5874 5138	Edson	edsonsozualves@ig.com.br
5039	VERSATIL AUTOMAÇÃO PNEUMÁTICA LTDA	AV. DUQUE DE CAXIAS 26-102	PARQUE SÃO JORGE	BAURU	SP	17030-520	(14) 3281-5999	Tiago	tiago.versati@hotmail.com
5201	OLIVEIRA FERRAMENTAS SERVIÇOS E PEÇAS	AV. GOV. PEDRO DE TOLEDO, 1150	BOMFIM	CAMPINAS	SP	13070-150	(19) 3212 0446	Andréia	oliveiratercai@terra.com.br

SAC INIMES - 0300 788 2022



INMES

Rod. SC 438 - Km 184
Caixa Postal 65 - CEP 88750-000
Braço do Norte - SC - Brasil
<http://www.inmes.com.br>
e-mail: vendas@inmes.com.br
SAC 0300 788 2022
+55 (48) 3658 3702