

OPERATIONS MANUAL

DOUBLE MITER SAW IM-300 PL



**!!! For your safety In order to obtain
higher performance of your equipment !!!**
Read the instructions manual carefully

[Http://www.inmes.com.br](http://www.inmes.com.br)



1- INTRODUCTION

Congratulations on your purchase of the IM 300PL Master Double Miter Saw! Your machine was developed using the latest technology, to solve your finishing and productivity problems.

It gives you a perfect join, guaranteeing that you always have a squared corner.

Your IM 300PL Master Double Miter Saw arrives ready to use. However, you should take the time to read this manual in order to take full advantage of the machine's benefits and to keep it in proper working order.

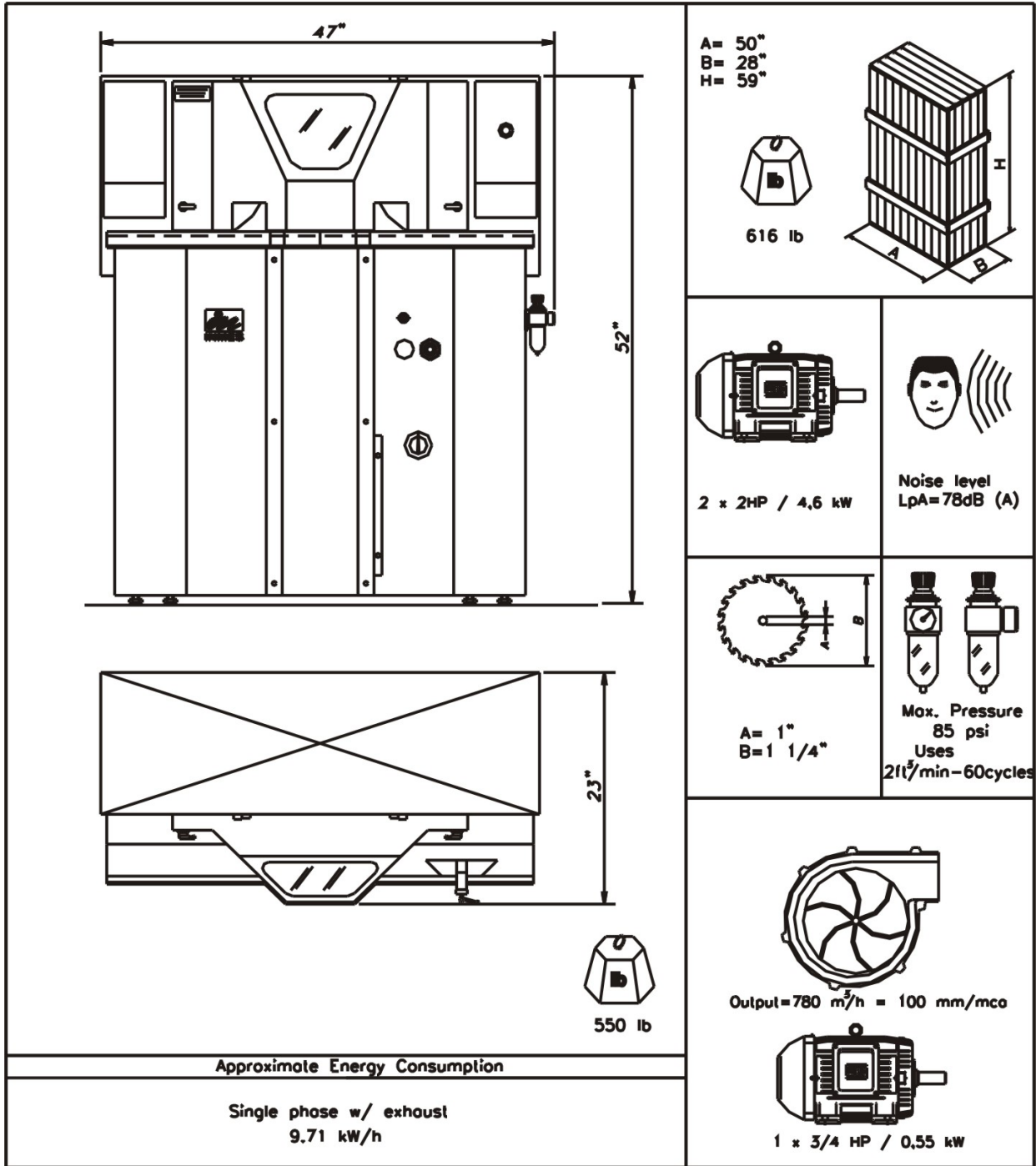
2- SPECIFICATIONS

- Weight _____ 550 lbs.
- Height _____ 60 in.
- Width _____ 48 in.
- Depth _____ 24 in.
- Maximum dimensions of moulding saw can cut _____ See graph on page 5
- Saw motors power _____ 1 1/2 hp
- Exhaust motor (optional) power _____ 3/4 hp
- Light bulb strength _____ 60-watts (Maximum!)
- Saw blade diameter _____ 12 in. x 1 in.
- Bearings _____
 - Ball bearings = 6204 2RS1 (2) and 6205 2RS1 (2)
 - Conical bearings = 30204 (4)
- Belts _____ Z 900 GOODYEAR
- Calibrated table length _____ 15 ½ in. (Optional extensions of 47 and 23 in.)

3- OPTIONAL ACCESSORIES

- Dust collector unit
- Extension tables
- Moulding clamps

TECHNICAL DIAGRAMS OF THE IM-300PL MASTER DOUBLE MITER SAW



4- COMPRESSED AIR SYSTEM

To operate your Saw, you need an air compressor with a minimum output of 2 cubic feet/minute. It can be installed using a compressor with a greater output, but not smaller.

The operating pressure should be no more than 88 psi.

5- ELECTRIC FEED

The electric line should be two-phase 220-volt, 60-hz. The light bulb under the hood should be no more than 60-watts, 110-volt.

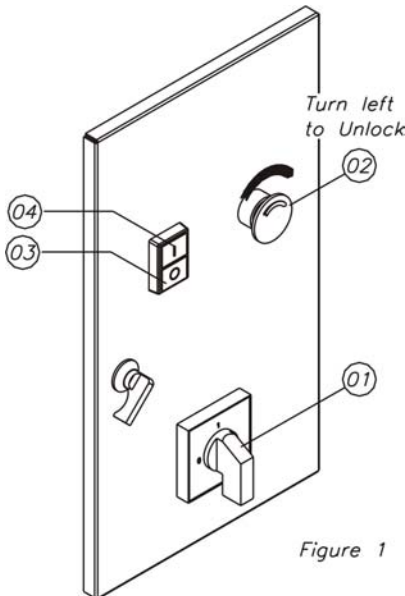


Figure 1

6- "ON" AND "OFF" SWITCHES, SAFETY CONTROLS

There is a switch on the lower front of the Saw (Figure 1-01). This switch, which has two positions, "0" for OFF and "1" for ON, should be left in the "0" position whenever the Saw is not being operated. In the "0" position the current is turned off to the entire machine, allowing an electrician to perform maintenance in safety, if necessary. Only this switch's terminals to the electric feed will be "live". When you are ready to use the Saw, turn this switch to the "1" position.

There is a **RED EMERGENCY STOP** button on the control panel (Figure 1-02). If a problem arises during operation that requires immediate action, pushing this button will instantly cut off the electric current to the saw blade motors. After the problem has been resolved, in order to turn the machine back on, turn the emergency button to the left and push the "ON" button (Figure 1-04).

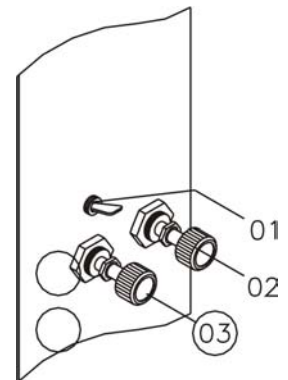


Figure 2

7- OPERATION

The operator must first select the type of moulding and size frame to be cut.

Turning on the Saw by using the green "ON" button (Figure 1-04), he should then adjust the moulding clamp according to the moulding's height, as well as the stop to the right that determines the length to be cut.

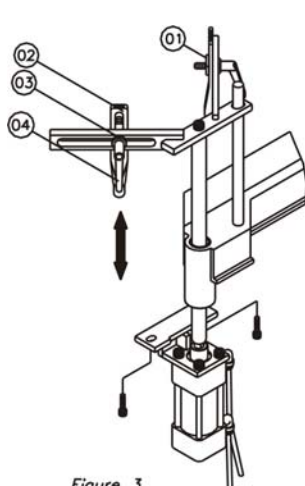


Figure 3

The clamp can be adjusted as shown in Figure 3. The clamps (3-02) should be set in the preset position no more than 3/8" above the moulding. This adjustment is made using the handles (3-04), which secure the clamps. It is important that both clamps be set at the same height, so that they exert equal pressure on the moulding when they descend. Your Saw comes with the clamp adjusted to release the moulding after it is cut. Then the clamp returns to its original position.

The moulding stop on the right (Fig. 4-02), which determines the length of the stick cut, is adjusted as shown in Figure 4, using the handle (4-03) of the stop, which runs on the ruled table (4-04). The stop can be used on the left side of the Saw as well as the right side. Move the stick (Fig. 4-01) to the right until the corner on the inside of the rabbet reaches the value on the calibrated rule (Fig. 4-04) equal to the length desired. Then move the stop (Fig. 4-02) until it rests against the end of the moulding, and lock it in place with the handle (Fig. 4-03). The extension tables allow you to cut sides up to 7-1/2 feet long.

The calibrated rule on the table is divided in 1/8" increments, in distinctive colors to facilitate measurements. Cut a small piece with the left blade, to create the base for the following cuts. To LOWER THE LEFT BLADE to cut, step on the left foot pedal, holding it down until the cut is completed. Then release the pedal for the blade to return to its original position.

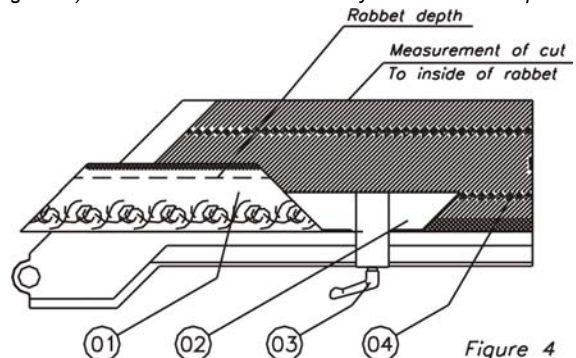


Figure 4

After making the first cut, for safety reasons, it is recommended that you turn off the machine to make your adjustments, using the red "OFF" button (Fig. 1-03).

Once you have adjusted the pressure clamps and the stop, turn on the Saw again and make your first cut. Watch that the clamps are properly adjusted. Then stop, turn off the Saw and check that the length is correct.

The blades may be lowered individually by stepping on only the desired pedal, left or right. Both blades may be lowered by stepping on both pedals together. The blades are lowered individually when cutting exceptionally large profiles, to keep loss of product down.

The quality of the finish is determined by the speed of the lowering of the blade and the size and thickness of the profile being cut.

To adjust the speed of the blade arm, use the compressed air regulator control knobs (Figure 2-02 and 03) on the control box. The right knob controls the right saw blade arm and the left knob the left blade arm. To increase the speed of the blade's descent, turn the knob to the left (counterclockwise); to decrease the descent speed, turn the knob to the right (clockwise). A slower speed will give you a better quality cut finish. The adjustment should vary with the size and composition of the moulding. However, do not slow the descent to the point where you are burning the wood, giving it a dark color.

A light bulb is installed inside the hood of your Saw, allowing you a clear view of the interior. You turn it on using the switch 01 shown in Figure 2.

8- CAUTION DURING OPERATION

When making his first cut, the operator should take care with regard to the adjustment of the moulding clamp, because if it is not holding the stick with sufficient pressure, the stick may be violently drawn into the interior of the machine by the blade's rotation, damaging the machine.

For your safety, the Saw is adjusted at the factory to only operate when the hood is in the lowered position.

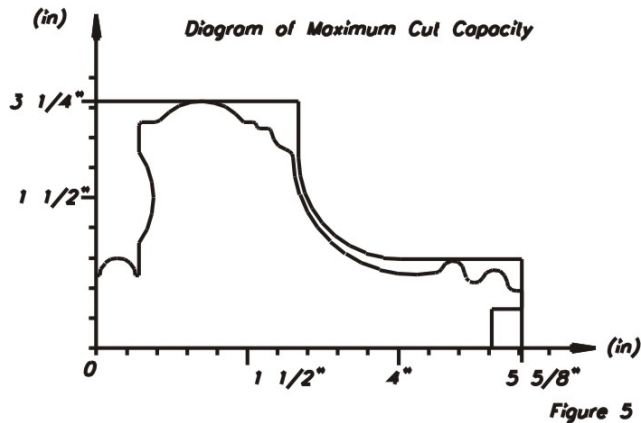


Figure 5

9- SIZES OF MOULDINGS THAT CAN BE CUT

Your IM300PL Master Double Miter Saw can cut mouldings with a maximum width of 5-5/8", and a maximum height of 3-1/4". **ATTENTION!** Any moulding profile that fits inside the limits on the graph in the diagram showing the cut parameters (Fig. 5) can be cut. The red line represents the path that the blades' bushings follow as the blade descends.

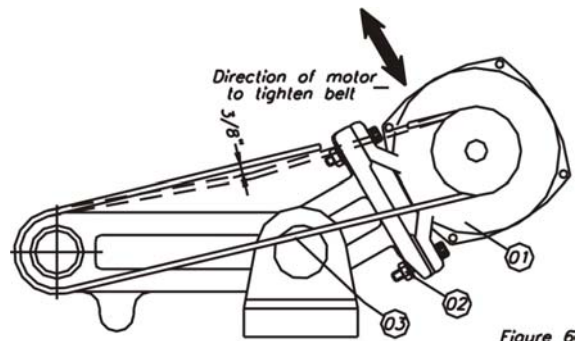


Figure 6

10- BELT ADJUSTMENT

From time to time it may become necessary to tighten the belts (Fig. 6-03) that drive the blades.

To make this adjustment, use a 13-mm. wrench to loosen the four bolts (Fig. 6-02). Then push the motor (Fig. 6-01) back to tension the belt to your satisfaction, and then tighten the bolts. The belt should not be too tight. It has the proper tension when the distance the belt moves, upon pushing against the middle of the belt with your finger, is about 3/8".

To put in a new belt, pull the motor forward to loosen the belt first.

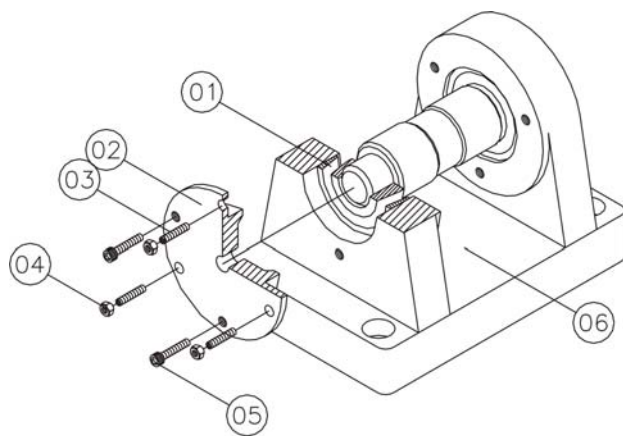


Figure 7

11- TIGHTENING THE SAW BLADE ARM

If the Saw blade arm shows signs of loosening, tighten it by adjusting the bearing caps of the arm joint (Fig. 7-02).

As shown in Figure 6, first loosen the three headless bolts (Fig. 6-03) using a 2.5 mm. Allen wrench. (It is only necessary to loosen them a minimum amount.)

Then proceed to tighten the bolts with heads (Fig. 6-05), still using the 2.5 mm Allen wrench, each a little at a time so that the cap is remains in alignment with the shaft.

Blade Direction

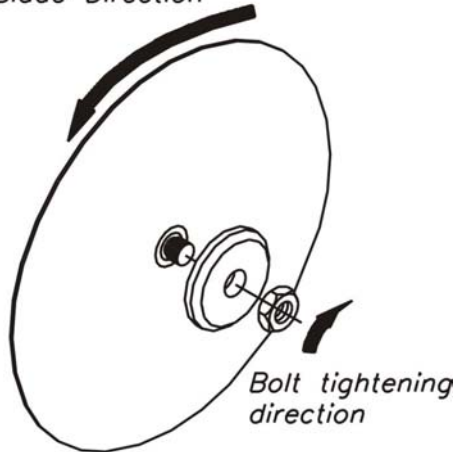


Figure 8

Finally, if the blade arm does not show any more play, retighten the headless bolts (Fig 6-03), and secure them in place by tightening their locknuts. In this way more pressure is exerted against the bearing, eliminating the play.

12- REMOVING BLADES - IMPORTANT!

When removing the saw blade to replace or sharpen it, care should be taken that the nut is rotated in the proper direction.

To loosen the blade, the nut is rotated towards the front of the machine, **in the same direction as the blade's rotation when cutting**. **To tighten the blade**, the nut is rotated towards the back of the machine, **in the opposite direction of the blade's rotation**. Insert a 6 mm. Allen wrench in the end of the blade shaft to hold it in place when loosening or tightening the nut that holds the blade in place.

Be careful not to mix up the nuts if both blades are removed at the same time. Trying to thread the wrong nut on the shaft will damage the threads.

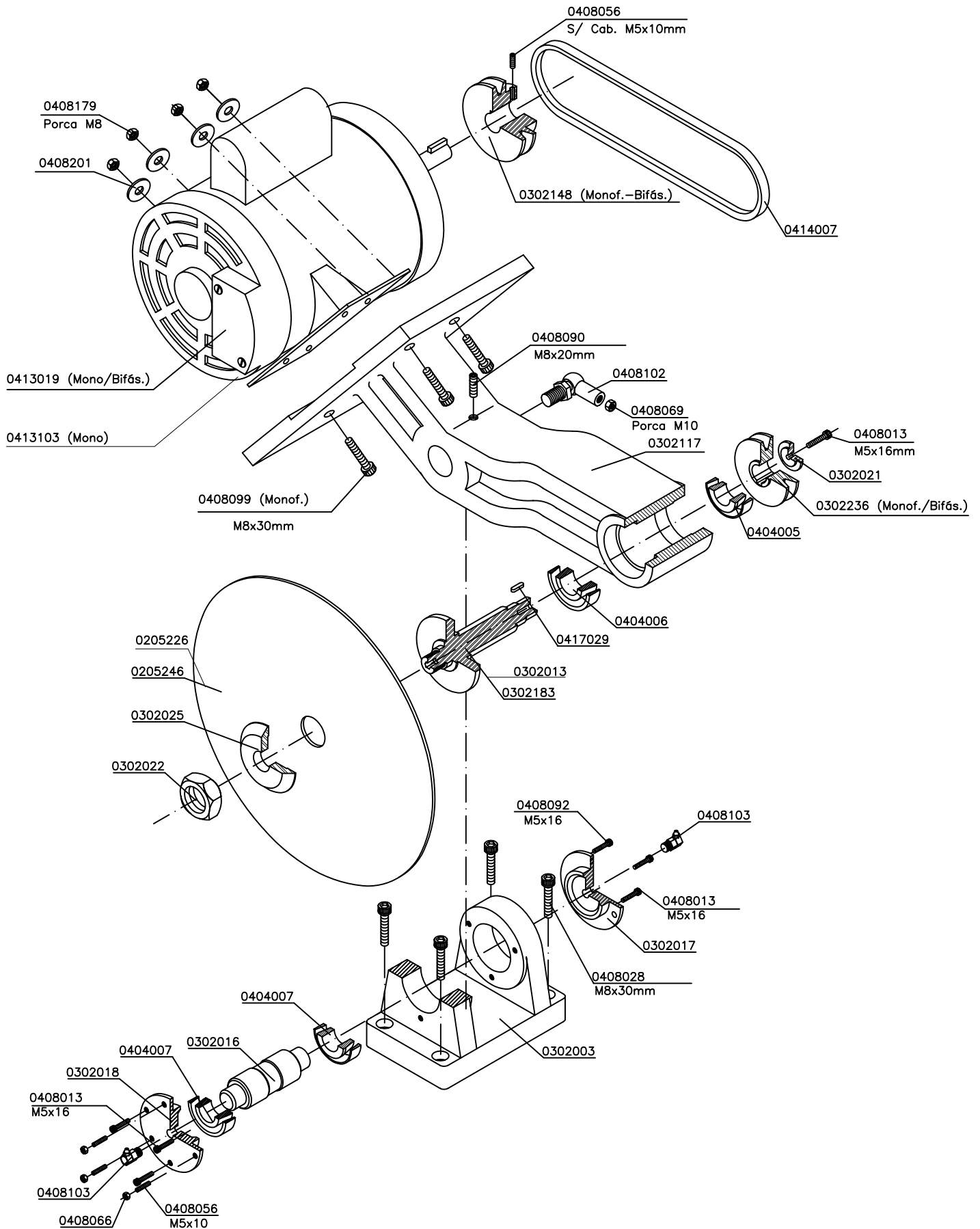
13- MAINTENANCE

Taking a few preventive measures can help you avoid most maintenance problems:

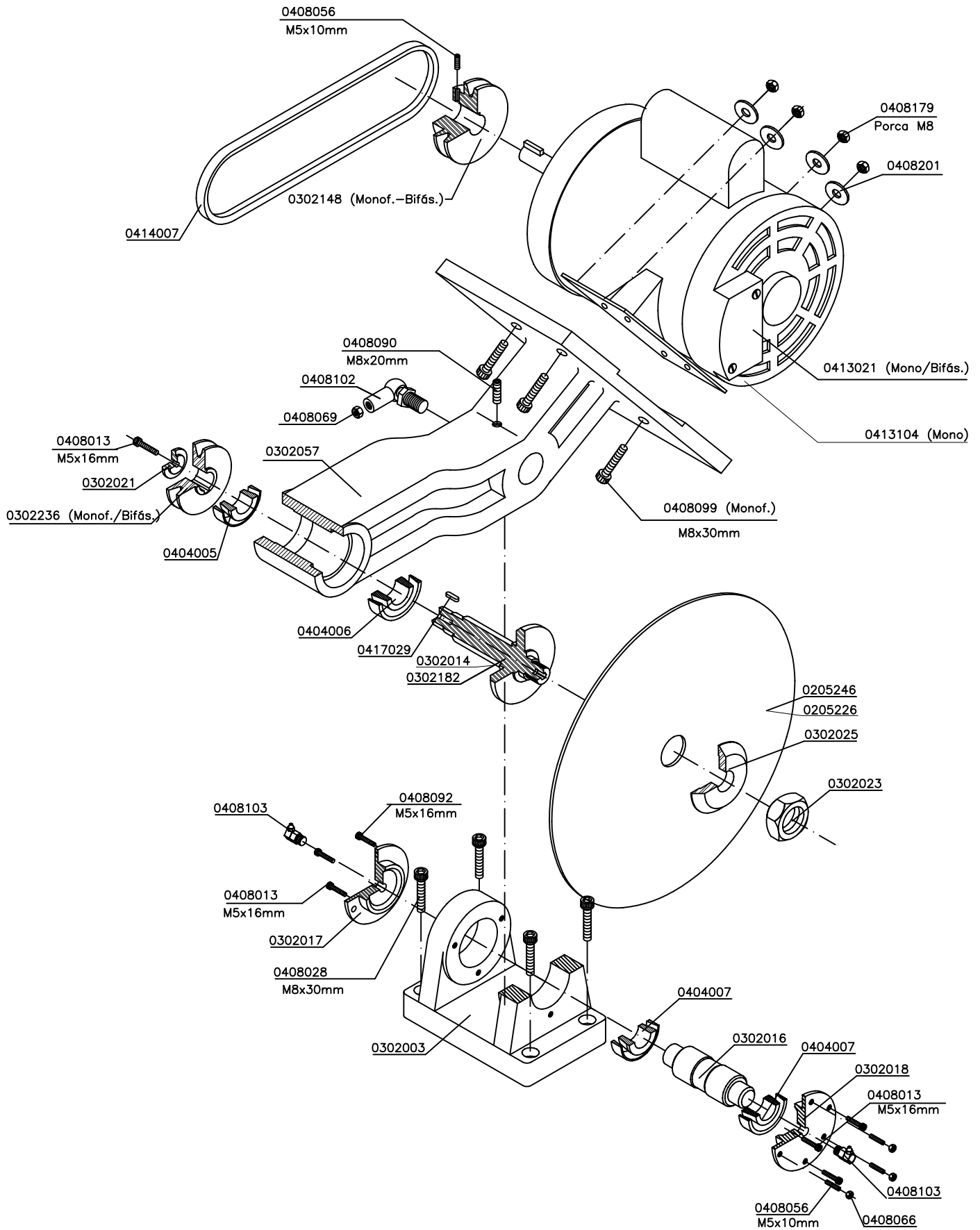
- Lubrication** – There are two grease jets on your saw, one on each of the saw blade arm joints. You should lubricate the bearings in the blade arms with a grease gun every two weeks.
- Compressed air** – Check several times during operation that the air pressure is within the limits specified in the manual.
- Cleaning** – Keep your saw clean. Blow the dust off of the machine regularly. It is recommended that you aspirate the control panel with a vacuum.
- General** – Upon receiving the saw, and on a regular basis, you should check the bolts which attach the control panel to the body, since vibration during transport and operation can loosen them. You should occasionally check all of the bolts on your saw for tightness.

14 – PARTS LIST FOR IM-300PL MASTER DOUBLE MITER SAW

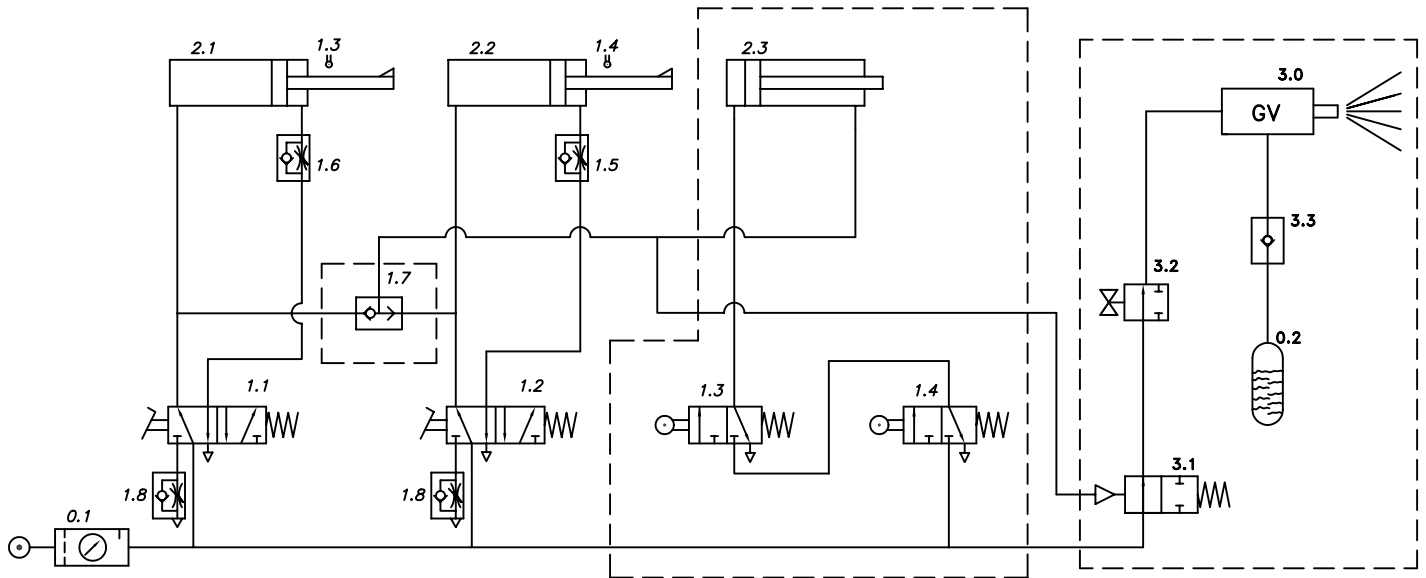
PART NAME	INMES CODE	PART NAME	INMES CODE
SAW	0205226	ELBOW CONNECTION - C63 PK6-1/8	0407006
SAW	0205246	ELBOW CONNECTION - C63 PK6-1/4"	0407007
WASHER	0301053	BLUE TUBING - PU 4X0,75/3-50	0407008
BLADE ARM JOINT BASE	0302003	AIR CONNECTION JET - 125 HBL-6-4	0407009
SAWDUST CATCHER	0302006	NUT - 2569-18	0407012
MOULDING STOP	0302007	HOSE PVC 3"	0407020
LEFT SAW BLADE SHAFT	0302013	PARKER MINI PRESSURE COUNTER 6333-15	0407022
RIGHT SAW BLADE SHAFT	0302014	HOSE PVC 4"	0407024
BLADE ARM SHAFT	0302016	REGULATOR VALVE 5012-2111/4	0407025
BLADE ARM JOINT CAP - 3 HOLES	0302017	CONNECTOR F28PB6 M5	0407028
BLADE ARM JOINT CAP - 6 HOLES	0302018	MINI REFILL CUP P3A – EA92BGBGNP	0407032
PULLEY WASHER	0302021	PNEUMATIC VALVE M43303R	0407033
LEFT SAW BLADE NUT	0302022	CYLINDER ISO D03220040000 X 25	0407035
RIGHT SAW BLADE NUT	0302023	MUFFLER 6301-2	0407039
SAW BLADE FLANGE	0302025	BRACKET 2569-19	0407040
MOULDING CLAMP	0302026	CONNECTOR F3PB4-1/4"	0407052
MOULDING CLAMP NUT	0302027	CONNECTOR F3 PB6-1/4"	0407053
MOULDING CLAMP BRACKET	0302028	MUFFLER 6302-2	0407054
MOULDING CLAMP WASHER	0302029	PARKER MINI LUBRICATOR B158Z	0407071
MOULDING CLAMP SHAFT	0302030	CYLINDER ISO D04020140000X100MM	0407089
COURSE GUIDE	0302033	VALVE "OR" 53005	0407091
COURSE GUIDE SHAFT	0302037	CONNECTOR 90° C63 PK4-1/4"	0407092
BODY	0302039	TEE UNION JPK-6	0407095
FRONT PLATE	0302041	RIGHT CALIBRATED STICKER 650mm - IM300PL	0302045
HOOD LID	0302042	LEFT CALIBRATED STICKER 650mm - IM300PL	0302048
DOOR	0302215	ALLEN SCREW - M4X16MM	0408008
MOULDING STOP BRACKET	0302044	ALLEN SCREW - M4X20MM	0408009
ADJUSTMENT HANDLE M45 / M6X30 (COMPLETE)	0302045	ALLEN SCREW - PM5X8 MM	0408012
MOULDING CLAMP CYLINDER SUPPORT	0302048	ALLEN SCREW - M5X16MM	0408013
HOOD	0302049	ALLEN SCREW - M5X25MM	0408015
ACRYLIC WINDOW	0302053	ALLEN SCREW - M6X16MM	0408016
RIGHT SAW ARM	0302057	ALLEN SCREW - M6X20MM	0408018
RIGHT MOULDING GUIDE IM300PL	0302074	ALLEN SCREW - M6X25MM	0408019
LEFT MOULDING GUIDE IM300PL	0302075	ALLEN SCREW - M8X20MM	0408026
DOUBLE PEDAL COVER	0302076	ALLEN SCREW - M8X45MM	0408031
PNEUMATIC VALVE BRACKET IM300PL	0302084	ALLEN SCREW - M8X30MM	0408028
RIGHT BASE PLATE FOR SAW AIR CYLINDER	0302085	ALLEN SCREW - M10X25MM	0408037
LEFT BASE PLATE FOR SAW AIR CYLINDER	0302086	ALLEN SCREW - M5X10MM	0408056
AIR CYLINDER SUPPORT IM300PL	0302087	ALLEN SCREW - M6X16MM	0408058
LEFT REPLACEABLE TABLE GUIDE PLATE	0302088	HEX NUT - M5	0408066
RIGHT REPLACEABLE TABLE GUIDE PLATE	0302089	HEX NUT - M10	0408069
RUBBER CURTAIN BRACKET	0302090	ALLEN SCREW - M6X10MM	0408089
DRIVE ROD FOR SAW ARM IM300PL	0302091	ALLEN SCREW - M8X20MM	0408090
RUBBER CURTAIN	0302092	ALLEN SCREW - M5X16MM	0408092
GUTTER PART 2	0302094	HEX BOLT - M16X50MM	0408095
CHIP BREAKER	0302099	ALLEN SCREW - M8X30MM	0408099
Nylon Insert Support IM-300L/PL	0302116	CLAMP - 70 /89	0408100
LEFT SAW ARM	0302117	CLAMP - 102 / 121	0408101
SUPPORT OF THE GUIDES	0302145	SLIP JOINT ELBOW	0408102
MOTOR PULLEY	0302148	GREASE JET M8X1 90°	0408103
RIGHT AUXILIARY SAWDUST COLLECTOR	0302150	ALLEN SCREW - M6X16MM	0408105
LEFT AUXILIARY SAWDUST COLLECTOR	0302151	ALLEN SCREW - M5X35MM	0408114
RIGHT SAW BLADE SHAFT	0302182	STEEL RIVET 3.2X10X2MM	0408144
LEFT SAW BLADE SHAFT	0302183	HEX NUT M16	0408149
MAINTENANCE DOOR	0302185	CRAMP 22-32	0408153
"Y" CONNECTOR - MACHINES WITHOUT DUST EXHAUST	0302194	HEX NUT M6	0408177
"Y" CONNECTOR - MACHINES WITH DUST EXHAUST	0302195	HEX NUT M8	0408179
ELECTRIC PANEL DOOR	0302215	ALLEN SCREW - M8X40MM	0408185
PULLEY	0302236	WASHER 1/4"	0408200
LEFT SAW SAFETY PLATE	0302242	WASHER 5/16"	0408201
RIGHT SAW SAFETY PLATE	0302243	Self-locking nut	0408212
RUBBER CURTAIN SUPPORT	0302245	WASHER 3/16"	0408218
SAFETY PLATE SPACER	0302247	PLASTIC CLAMP	0412024
SAFETY PLATE WASHER	0302249	PLASTIC CLAMP SUPPORT	0412025
MOULDING GUIDE LOCK	0302342	LAMP BASE	0412035
RIGHT DRIVE ROD FOR SAW ARM IM-300PL	0302353	MICRO SWITCH - MG. 2607 IR	0412038
RIGHT DRIVE ROD FOR SAW ARM IM-300PL - DOWN PART	0302355	SWITCH - CS 301 D	0412039
RIGHT DRIVE ROD - REGULATOR NUT	0302357	WIRE HOLDER	0412047
HEX NUT - LEFT THREAD M10	0302359	CROSSER WIRE 3/4	0412051
BEARING 6204 2RS1	0404005	HOSE PVC 1"	0412138
BEARING 6205 2RS1	0404006	SWITCH - 50A 5TW3050-1	0412148
CONICAL BEARING GPZ 30204	0404007	EMERGENCY SWITCH - 1201 0039	0412248
LABELSTOP	0405019	SWITCH BOX - ON/OFF	0412257
LABELIM-300PL	0405024	MOTOR - 1,5HP 110/220 2PF56 50HZ B3D	0413019
LABELCAUTION	0405025	MOTOR - 1,5HP 110/220 2PF56 50HZ B3E	0413021
LABELCAUTION	0405026	MOT 1,5CV 240V 2PD56 B3D 50HZ	0413103
LABEL	0405034	MOT 1,5CV 240V 2PD56 B3E 50HZ	0413104
LABEL	0405039	BELT - Z900MM GOODYEAR	0414007
LABEL	0405041	HOOD HANDLES - 19,5MM	0415005
LABELLELETRIC	0405042	HOOD HANDLES - 25MM	0415006
LABEL	0405046	HINGE - 42MM	0415007
LABEL 220V	0405047	PERFIL Y	0417017
LABELEMERGENCY	0405048	BUSHING - PAP 2015 P10	0417019
LABEL	0405063	COTTER 6X6X14 T-A	0417029
LABEL	0405066	STOP SHOCK SJ-5018 BLACK	0419018
LABEL 240V	0405117	RIGHT 27" CALIBRATED RULE STICKER - IM300PL	0419037
LABEL	0405120	LEFT 27" CALIBRATED RULE STICKER - IM300PL	0419038
FOOT PEDAL - NI 5103-5118-000	0407002	CLOSING RIBBON	0419073
BLUE TUBING - PU-6X1/3-50	0407005	LABEL	0504015



Saw Assembly - Left Side



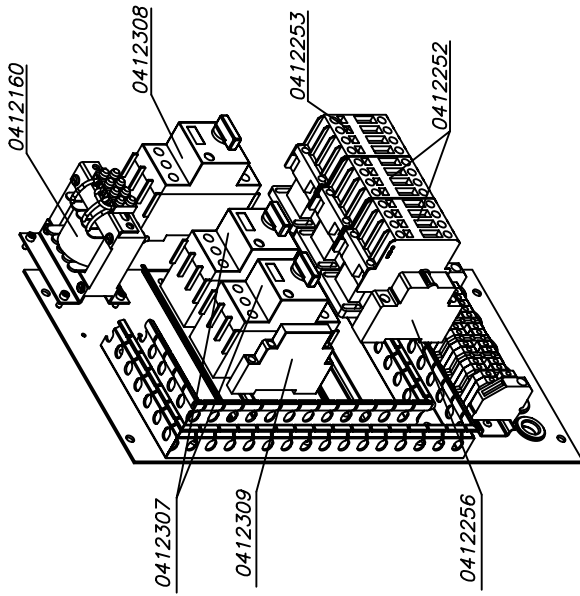
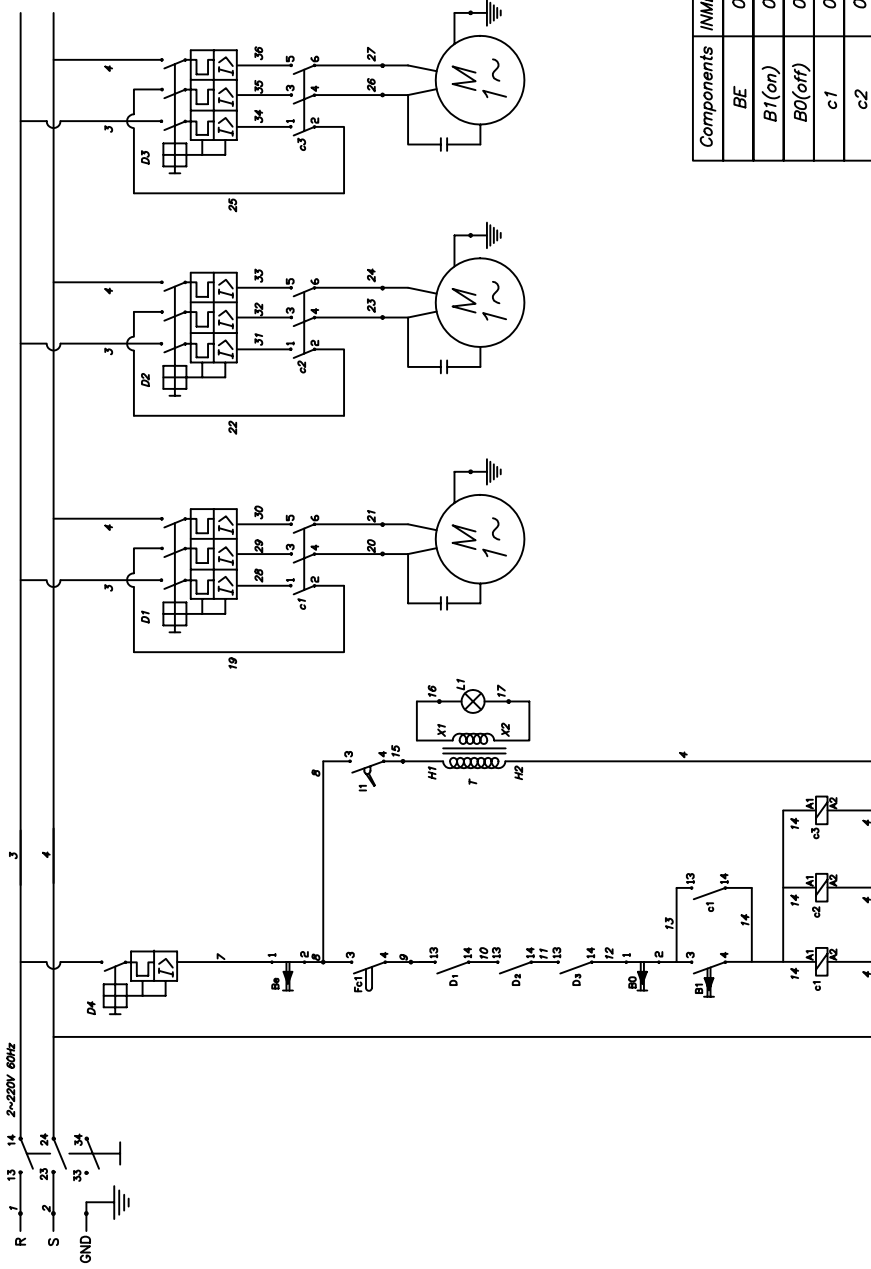
Saw Assembly – Right Side



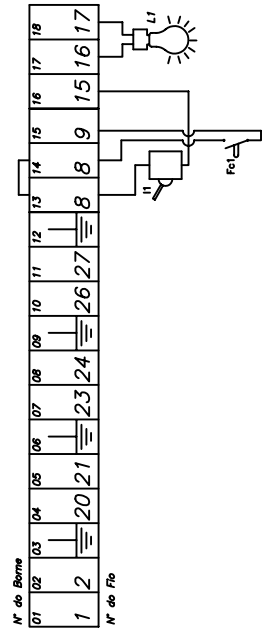
Componentes

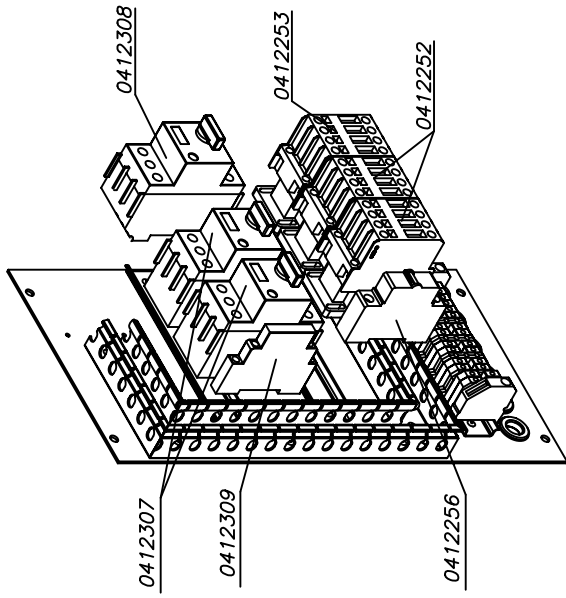
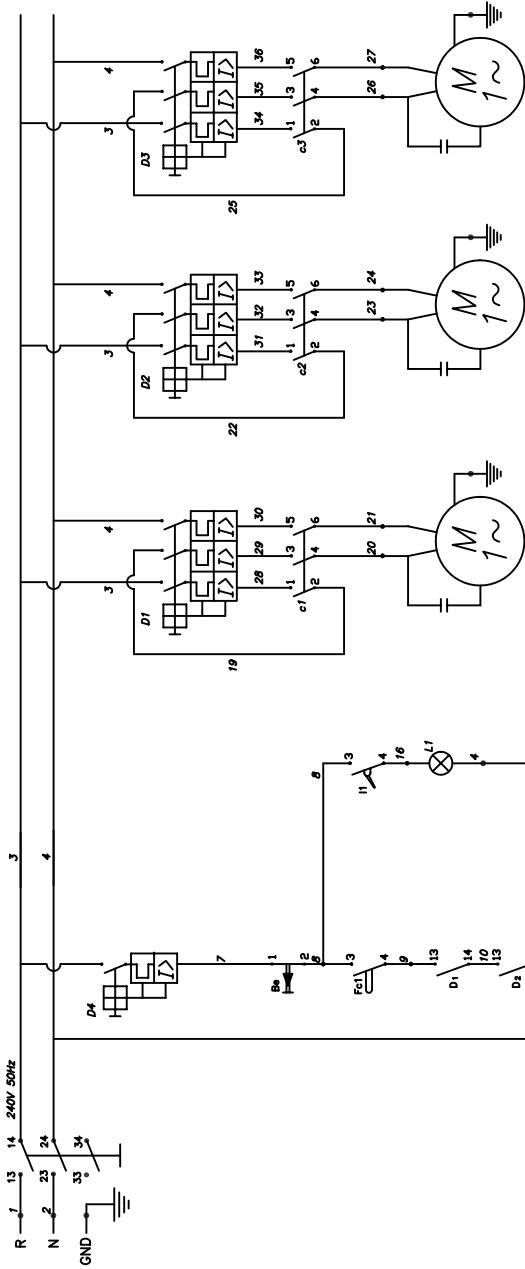
- 0.1 -> Filter Regulator
- 1.1 -> Valve Pedal NI 5103-5118-000
- 1.2 -> Valve Pedal NI 5103-5118-000
- 1.3 -> Valve Roller M43303R
- 1.4 -> Valve Roller M43303R
- 1.5 -> Valve Regulator of Outlet
- 1.6 -> Valve Regulator of Outlet
- 1.7 -> Element "OU" 53005
- 1.8 -> Silencer Whit Regulator of Outlet
- 2.1 -> Cylinder ISO $\varnothing 40 \times 100 \text{mm}$
- 2.2 -> Cylinder ISO $\varnothing 40 \times 100 \text{mm}$
- 2.3 -> Cylinder ISO $\varnothing 32 \times 25 \text{mm}$
- 3.0 -> Vacuum Generator PSV-GSNO2A1 1/8"
- 3.1 -> Valve Pilot 43602 P
- 3.2 -> Valve Plug 219P-2 1/8"
- 3.3 -> Valve Retention C200B 1/8"
- 0.2 -> Cut Liquid Reservoir

*OBS => The Elements Between the Traced Lines are Optional

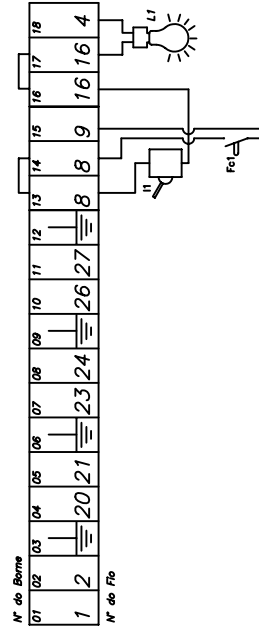


Components	IMES Code	Designation
BE	0412248	Emergency Switch 1201 0036
B1(on)	0412257	Double Command Switch 1201 0060
B0(off)	0412257	Double Command Switch 1201 0060
c1	0412252	Contacto CWM 18.10 220V 50-60Hz
c2	0412252	Contacto CWM 18.10 220V 50-60Hz
c3	0412253	Contacto CWM 9.10 220V 50-60Hz
D1	0412307	Motor Cut-Out MPW25-10 6,3+10A (035500963)
D2	0412307	Motor Cut-Out MPW25-10 6,3+10A (035500963)
D3	0412308	Motor Cut-Out MPW25-6.3 4-6,3A (035500962)
D4	0412256	Thermomagnetic Cut-Out 5SX1 104-7
Fc1	0412038	Switch MG 2607 IR Micro
I1	0412039	Switch CS 301 D
L1	0412137	Lamp 60W 120V
T	0412160	Transformer 220-110V
	0412309	Block External Contact ACBS-11 1NA/F (035500961)





Components	IMMES Code	Designation
BE	0412248	Emergency Switch 1201 0036
B1(on)	0412257	Double Command Switch 1201 0060
B0(off)	0412257	Double Command Switch 1201 0060
c1	0412252	Contacteur CWM 18.10 220V 50-60Hz
c2	0412252	Contacteur CWM 18.10 220V 50-60Hz
c3	0412253	Contacteur CWM 9.10 220V 50-60Hz
D1	0412307	Motor Cut-Out MPW25-10 6,3+10A (035500963)
D2	0412307	Motor Cut-Out MPW25-10 6,3+10A (035500963)
D3	0412308	Motor Cut-Out MPW25-6,3 4-6,3A (035500962)
D4	0412256	Thermomagnetic Cut-Out 55X1 104-7
Fc1	0412038	Switch MG 2607 IR Micro
I1	0412039	Switch CS 301 D
L1	0412137	Lamp 60W 120V
	0412309	Block External Contact ACBS-11 1NA/F (035500961)





Manual de Instalação e Manutenção Installation and Maintenance Bulletin

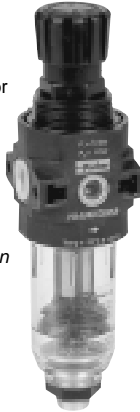
B3-3-880
Filtro/Regulador Mini
Mini Filter/Regulator

Apresentação

Filtro/Regulador é a combinação do Filtro com Regulador de Pressão. O Filtro/Regulador tem por função filtrar e regular o ar para a pressão desejada com a mesma eficiência obtida pelos Filtro e Regulador separados.

Presentation

The Filter-Regulator is a combination of the Filter with the Pressure Regulator. The function of the Filter-Regulator is to filter and regulate air to the required pressure with the same efficiency as that of the Filter and Regulator, separately.



Características Técnicas

- Conexões: 1/8" e 1/4"
- Tipo da Rosca: NPT ou BSP
- Material do Copo: Policarbonato
- Elemento Filtrante: 5µ ou 40µ
- Tipo de Dreno: Manual ou Automático
- Temperatura de Trabalho: -10°C a +50°C (14°F to 122°F)
- Pressão Máxima na Entrada: 10 bar (150 psig)
- Pressão Secundária: 0 a 2 bar (0 a 30 psig)
0 a 4 bar (0 a 60 psig)
0 a 8 bar (0 a 90 psig)
- Vazão Máx. à 7 bar na entrada: 14 dm³/s (Exceto para bitolas de 1/8" e para pressão de 0 a 2 bar, onde a vazão máxima será de 10 dm³/s).
- Peso: 0,115 kg

Technical Information

- Ports Sizes: 1/8" and 1/4"
- Type of Thread: NPT or BSP
- Bowl Material: Polycarbonate
- Filtering Element: 5µ or 40µ
- Type of Drain: Manual or Automatic
- Temperature Range: -10°C to +50°C (14°F to 122°F)
- Max. Inlet Pressure: 10 bar (150 psig)
- Secondary Pressure: 0 to 2 bar (0 to 30 psig)
0 to 4 bar (0 to 60 psig)
0 to 8 bar (0 to 90 psig)
- Maximum Flow at 7 bar at Inlet: 14 dm³/s (Except for 1/8" size and for pressure from 0 to 2 bar, where maximum flow will be 10 dm³/s).
- Weight: 0,115 kg

Recomendações

Aplique graxa de silicone ou vaselina em todas as guarnições:

- Limpe as peças com água e sabão neutro;
 - Não utilize panos, estopos ou similares na secagem das peças.
 - Não instale o Filtro/Regulador em locais que possam expor o copo aos seguintes elementos:
 - Solventes em geral
 - Óleo de mamona
 - Óleos compressores
 - Álcool etílico
 - Vapores quentes
 - Álcool metílico
 - Gasolina
 - Verniz
- "Não Use Álcool para Limpar"

Warning

- Apply silicone grease or vaseline in all seals;
 - Clean parts with water and neutral soap;
 - Do not use cloth or rags to dry parts;
 - Use clean air to prevent tube clogging;
 - Do not install Filter-Regulator where bowl may be exposed to the following elements:
 - Solvents in general
 - Castor-oil
 - Compressive oils
 - Ethylic Alcohol
 - Hot steam
 - Methylic Alcohol
 - Gasoline
 - Varnish
- "Don't Use Alcohol to Clean"

Estocagem

Os produtos deverão permanecer embalados enquanto estiverem estocados. O ambiente de armazenamento deve ser seco, limpo, arejado e isento de produtos químicos ou elementos que possam atacar o material do produto. Na estocagem do Filtro/Regulador, certifique-se de que a manopla esteja livre, ou seja, não tensionando a mola interna.

Storing

Products should be kept packed while stored. Storing area should be dry clean, entilated and free from chemical products or elements which may attack product material. When storing Filter-Regulator, be sure that control knob is free, i.e., not compressing internal spring.

Instalação

Procedimento para instalação:

- Retire os tampões das roscas.
- Instale o Filtro/Regulador na direção indicada, com o copo para baixo.
- Libere a rosca do corpo do regulador e introduza o manômetro, apertando-o.
- Suspenda a manopla para liberar o controle, girando-a no sentido anti-horário até que a mola de pressão esteja livre de compressão.
- Ligue o suprimento de ar.
- Gire a manopla no sentido horário para ajuste do nível de pressão, que pode ser com ou sem fluxo de ar. Ajustada a pressão, empurre a manopla, travando-a.
- Para reduzir a pressão; destrave e gire o controle da manopla no sentido anti-horário, até que esteja abaixo do novo nível desejado. Então, ajuste a pressão e trave a manopla.

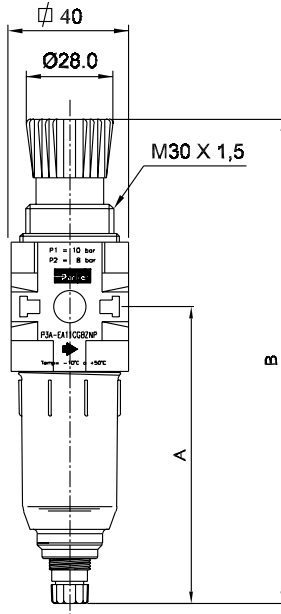
Installation

Procedure for installation:

- Remove thread caps.
- Install Filter-Regulator in the indicated direction with bowl downwards.
- Release thread of regulator body and introduce gauge, tightening it.
- Lift knob to release control, turning it counter-clockwise until pressure spring is free from compression.
- Turn on air supply.
- Turn control knob clockwise to regulate pressure level, which can be with or without air flow. With pressure adjusted, push control knob to lock it.
- To reduce pressure, unlock and turn knob counter-clockwise until it is below the new desired level. Then, adjust pressure control knob to lock it.



Dimensões/Dimensions



Fixação do Conjunto

Filtro/Regulador ao Lubrificador

Sem Suporte: Kit P3A-KA00CDN

Com Suporte: Kit P3A-KA00CDN + P3A-KA00CWN

Mounting

Filter/Regulator to Lubrificador

Without Mounting Bracket: Kit P3A-KA00CDN

With Mounting Bracket: Kit P3A-KA00CDN + P3A-KA00CWN

Fixação do Filtro/Regulador

Fixação com Suporte Pescoço

Kit com Porca Metálica: P3A-KA00MSN

Kit com Porca Plástica: P3A-KA00MRN

Filter/Regulator Mounting

Mounting with "Neck" Ring Bracket

Kit with Metal Nut: P3A-KA00MSN

Kit with Plastic Nut: P3A-KA00MRN

Fixação Unitária do Filtro/Regulador

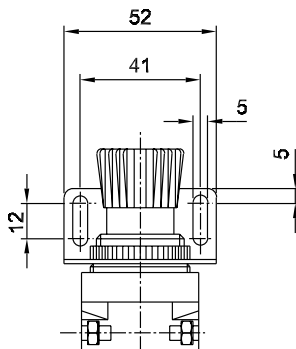
Suporte para Parede: Kit P3A-KA00CWN

Porca Metálica para Painel: Kit P3A-KA00MMN

Porca Plástica para Painel: Kit P3A-KA00MPN

Versão/Version	A	B
Com Dreno Manual <i>With Manual Drain and Short Bowl</i>	101	165
Com Dreno Manual e Copo Longo <i>With Manual Drain and Long Bowl</i>	125	188
Com Dreno Semi-Automático (Filtro) <i>With Semi Auto-Drain (Filter)</i>	94	158

Dimensões em mm
Dimensions in mm

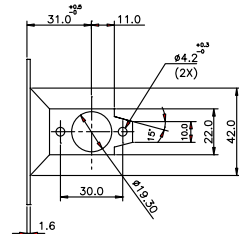
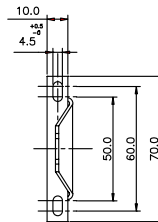
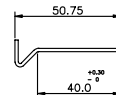


Filter/Regulator Unit Mounting

Wall Mounting Bracket: Kit P3A-KA00CWN

Metal Nut for Panel: Kit P3A-KA00MMN

Plastic Nut for Panel: Kit P3A-KA00MPN



Manutenção

Para bom e permanente desempenho deste produto, ele deve sofrer limpezas periódicas e manutenção preventiva. Proceda com segue:

Maintenance

To get good and permant performance of this product, it needs periodical cleaning and preventive maintenance. Proceed as follows:

1. Feche o suprimento de ar
Shut air supply
2. Descarregue o circuito (Figs. 1 e 2)
Unload circuit (Figs. 1 and 2)
3. Abra o dreno (Fig. 3)
Open drain (Fig. 3)
4. Retire o manômetro (Basta desrosqueá-lo)
Remove gauge (unscrew)
5. Desmonte o refil (Figs. 4, 5 e 6)
Disassemble Filter-Regulator (Figs. 4, 5 and 6)
6. Lave as peças com água e sabão neutro
Wash parts with water and neutral soap
7. Seque somente com ar comprimido
Dry with compressed air only
8. Troque as peças integrantes do kit de reparo
Change parts which make up Repair Kit
9. Remonte o refil (siga o processo inverso ao item 5)
Re-assemble Filter-Regulator (follow reverse order as shown in item 5)
10. Recoloque o manômetro
Replace gauge
11. Feche o dreno
Close drain
12. Ligue o suprimento de ar
Turn on air supply
13. Regule a pressão e trave a manopla (Figs. 7 e 8)
Adjust pressure and lock control knob (Figs. 7 and 8)
14. Teste
Test

- Para filtro com dreno automático, não considere os itens 3 e 11.
- *For filter with auto drain, don't consider items 3 and 11.*

Fig. 1

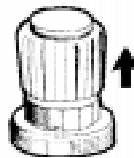
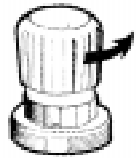


Fig. 2



- Abra o dreno, girando-o no sentido da seta.
- *Open drain, turning it according to arrow direction.*

Fig. 3



Fig. 4



Fig. 5

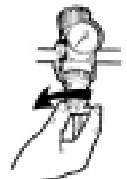
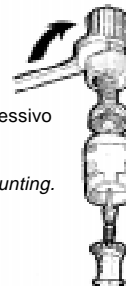


Fig. 6

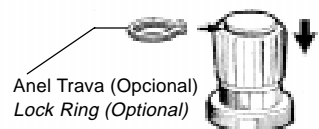


- Evite torque excessivo na fixação.
- *Avoid excessive torque when mounting.*

Fig. 7



Fig. 8





Manual de Instalação e Manutenção Installation and Maintenance Bulletin

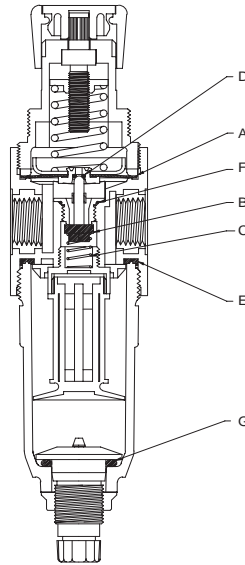
B3-3-880
Filtro/Regulador Mini
Mini Filter/Regulator

Kit de Reparo

Filtro/Regulador com Sangria: Ref.: P3A-KA00RE
Filtro/Regulador sem Sangria: Ref.: P3A-KA00RG

Repair Kit

- Relieving Filtro/Regulador: Part nº: P3A-KA00RE
- Non Relieving Filter/Regulator: Part nº: P3A-KA00RG



Referências/Part Numbers

Item	Qtde./Qty.	Descrição/Description	Referência/Part Nº
A	01	Conj. Diafragma <i>Diaphragm Assembly</i>	Sem sangria <i>Non relieving</i> 1569-300
			Com sangria <i>Relieving</i> 1569B-300
B	01	Conjunto Haste e Assento <i>Stem and Seat Assembly</i>	1569-500
C	01	Mola/Spring	1569-5
*D	01	Anel "O"/"O" Ring	2709-X
E	01	Guarnição Chata/Flat Seal	1539-2
F	01	Anel "O"/"O" Ring	1569-6
G	01	Anel "O"/"O" Ring	1901-0015

* Somente para refill com sangria/* Only for relieving Filter-Regulator

Fábrica: **Parker Hannifin Ind. Com. Ltda.** - Av. Lucas Nogueira Garcez 2181 - Esperança - Caixa Postal 148 - Tel.: 12 354-5100 - Fax.: 12 354-5262
Filiais:

Belo Horizonte - MG - Tel.: 31 3261-2566 / Fax.: 31 3261-4230
Campinas - SP - Tel.: 19 3235-3400 / Fax.: 19 3235-2969
Curitiba - PR - Tel.: 41 333-1836 / Fax.: 41 334-3027
Porto Alegre - RS - Tel.: 51 470-9144 / Fax.: 51 470-6090
Recife - PE - Tel.: 81 3227-3376 / Fax.: 81 3227-6064
Rio de Janeiro - RJ - Tel.: 21 509-4008 / Fax.: 21 507-0221
São Paulo - SP - Tel.: 11 3673-2766 / Fax.: 11 3865-7090
Vale do Paraíba - SP - Tel.: 12 354-5100 / Fax.: 12 354-5262

www.parker.com.br





Manual de Instalação e Manutenção Installation and Maintenance Bulletin

B3-3-882
Lubrificador Mini
Mini Lubrificador



Apresentação

Os equipamentos pneumáticos devem ser lubrificados convenientemente por meio do próprio ar comprimido para diminuir os efeitos desgastantes, as forças de atritos e facilitar os movimentos.

O Lubrificador é utilizado para lubrificação das partes mecânicas internas móveis que estão em contato direto com o ar. Esta deve ser efetuada de forma controlada para não causar obstruções na passagem de ar.

O Lubrificador faz com que o lubrificante seja nebulizado na corrente de ar e chegue a todos os componentes de instalação.

Presentation

Pneumatic equipment has to be properly lubricated with compressed air to reduce waste, friction and facilitate movement.

The lubricator is used to lubricate moving internal mechanical parts which are in direct contact with air. It has to be controlled in order to avoid obstruction to the air flow.

The lubricator ensures that lubricant is nebulized in the air flow and reach all components in the installation.

Características Técnicas

- Conexões:	1/8" e 1/4"
- Tipo da Rosca:	NPT ou BSP
- Tipo de Dreno:	Manual
- Material do Copo:	Polycarbonato
- Temperatura de Trabalho:	-10°C a +50°C (14°F to 122°F)
- Pressão Máxima na Entrada:	10 bar (150 psig)
- Vazão Máxima:	Ø 1/8" - 13 dm ³ /s
(à 7 bar na Entrada)	Ø 1/4" - 18 dm ³ /s
- Óleo Recomendado:	ISO VG 10
- Peso:	0,08 kg

Technical Characteristics

- Ports Sizes:	1/8" and 1/4"
- Type of Thread:	NPT or BSP
- Type of Drain:	Manual
- Bowl Material:	Polycarbonate
- Temperature Range:	-10°C to +50°C (14°F to 122°F)
- Max. Inlet Pressure:	10 bar (150 psig)
- Max. Flow at 7 bar at Inlet:	Ø 1/8" - 13 dm ³ /s
	Ø 1/4" - 18 dm ³ /s
- Recommended Oil:	ISO VG 10
- Weight:	0,08 kg

Recomendações

- Utilize sempre óleo e ar limpos;
- Mantenha o lubrificador sempre abastecido;
- Na limpeza das peças, utilize apenas água e sabão neutro;
- Não use panos, estopas ou similares na secagem das peças.

Warning

- Always use clean oil and clean air.
- Keep Lubrificador always filled up.
- Use only water and neutral soap to clean parts.
- Do not use cloth or rags to dry parts.

Estocagem

Os produtos deverão permanecer embalados enquanto estiverem estocados.

O ambiente de armazenagem deve ser seco, limpo, arejado e isento de produtos químicos ou elementos que possam atacar o material do produto.

Storing

Products should be kept packed while stored. Storing area should be dry clean, ventilated and free from chemical products or elements which may attack product material.

Instalação

Procedimento para instalação:

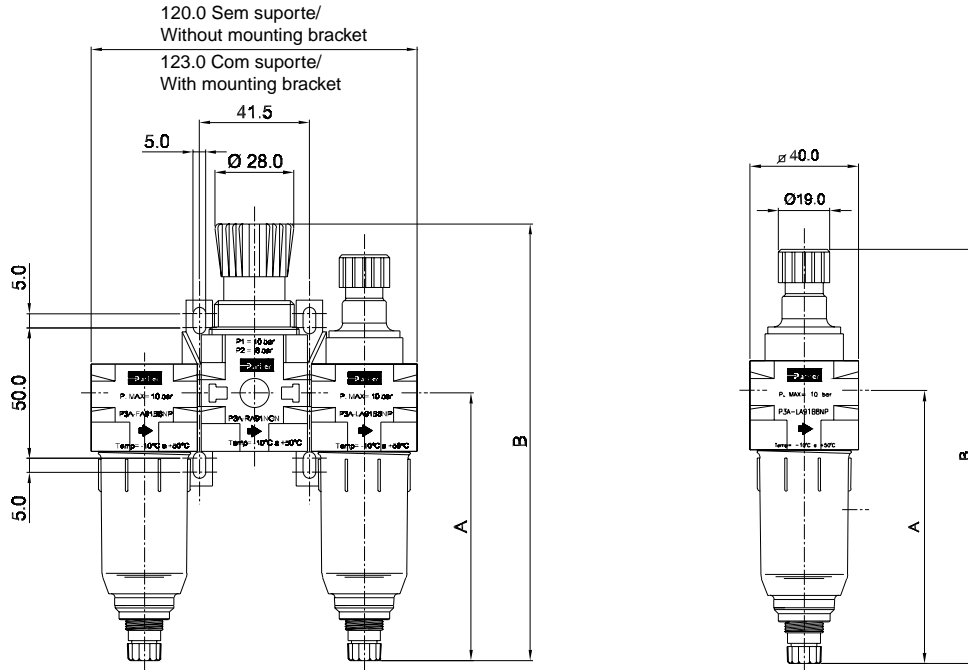
- Retire os protetores, instale o copo para baixo na direção indicada no corpo do lubrificador e, se possível, acima e bem próximo ao equipamento a ser lubrificado;
- Retire o copo, abasteça-o e rosqueie-o novamente;
- Ligue o suprimento de ar;
- Ajuste a manopla reguladora de óleo (não aperte excessivamente). A regulação pode ser vista pelo regulador transparente.

Installation

Procedure for installation:

- Remove protecting caps and install bowl in the direction indicated in the body of Lubrificador and, if possible, above and close to the equipment to be lubricated.
- Remove bowl, fill it up and screw it again.
- Turn on air supply.
- Adjust oil control knob (do not tight it too hard). Regulation can be seen through sight dome.

Dimensões/Dimensions



Versão/Version	A	B
Com Dreno Manual <i>With Manual Drain and Short Bowl</i>	101	165
Com Dreno Manual e Copo Longo <i>With Manual Drain and Long Bowl</i>	125	188
Com Dreno Semi-Automático (Filtro) <i>With Semi Auto-Drain (Filter)</i>	94	158

Dimensões em mm
 Dimensions in mm

Versão/Version	A	B
Com Dreno Manual <i>With Manual Drain and Short Bowl</i>	101	153
Com Dreno Manual e Copo Longo <i>With Manual Drain and Long Bowl</i>	125	177
Sem Dreno <i>Without Drain and Short Bowl</i>	88,5	140
Sem Dreno e Copo Longo <i>Without Manual Drain and Long Bowl</i>	112,5	165

Dimensões em mm
 Dimensions in mm

Fixação do Conjunto

Lubrificador ao Regulador ou ao Filtro/Regulador
 Sem Suporte: Kit P3A-KA00CDN
 Com Suporte: Kit P3A-KA00CDN + P3A-KA00CWN

Lubrificador ao Filtro
 Sem Suporte: Kit P3A-KA00CEN
 Com Suporte: Kit P3A-KA00CEN + P3A-KA00CWN

Mounting

Lubrificador to Regulator or to Filter-Regulator
 Without Mounting Bracket: Kit P3A-KA00CDN
 With Mounting Bracket: Kit P3A-KA00CDN + P3A-KA00CWN

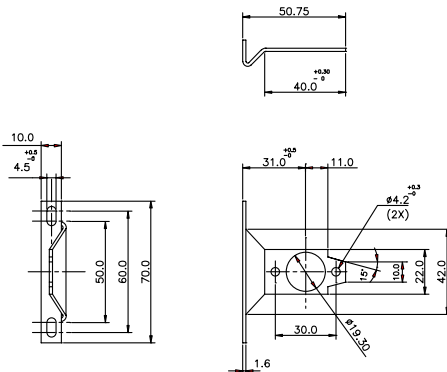
Lubrificador to Filter
 Without Mounting Bracket: Kit P3A-KA00CEN
 With Mounting Bracket: Kit P3A-KA00CEN + P3A-KA00CWN

Fixação Unitária do Lubrificador

Suporte de Parede: Kit P3A-KA00CWN

Lubrificador Unit Mounting

Wall Mounting Bracket: kit P3A-KA00CWN



Manutenção

Para bom e permanente desempenho deste produto, ele deve sofrer manutenções periódicas.

Proceda como segue:

Maintenance

To get good and permant performance of this product, it needs periodical maintenance.

Proceed as follows:

1. Feche o suprimento de ar da linha
Shut air supply
2. Remova o copo (Fig. 1)
Remove bowl (Fig. 1)
3. Lave com água e sabão neutro
Wash it with water and neutral soap
4. Seque o copo somente com ar comprimido
Dry bowl with compressed air only
5. Abasteça, até o nível máximo, com óleo ISO VG 10 (Fig. 2)
Fill it up to the maximum level, with ISO VG 10 oil (Fig. 2)
6. Troque as vedações
Change seals
7. Recoloque o copo
Replace bowl
8. Religue o suprimento de ar
Turn on air supply
9. Regule o fluxo de óleo para 2 a 3 gotas/min. (Fig. 3)
Adjust oil flow to 2 to 3 drops/min. (Fig. 3)
10. Teste
Test

Fig. 1

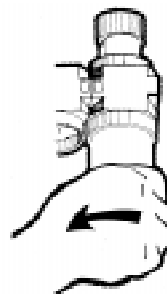


Fig. 2

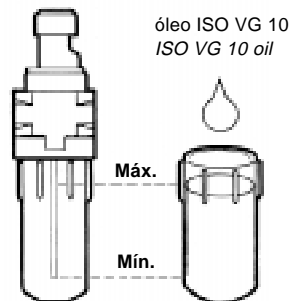


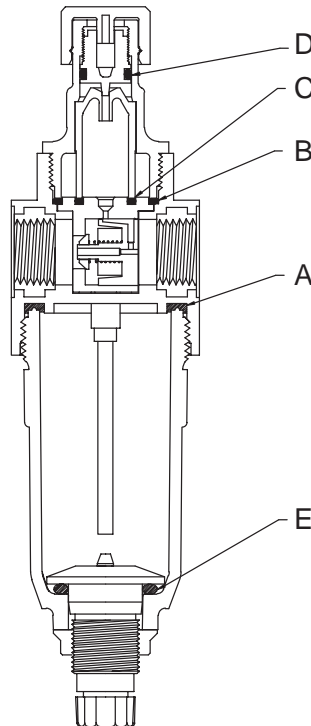
Fig. 3





Kit de Reparo
Ref. P3A-KA00RL

Repair Kit
Part nº P3A-KA00RL



Referências/Parts Numbers

Item	Qtde./Qty.	Descrição/Description	Referência/Part Nº
A	01	Guarnição Chata/Flat Seal	1539-2
B	01	"O" Ring/"O" Ring	3454-6
C	01	"O" Ring/"O" Ring	2709-7
D	01	"O" Ring/"O" Ring	2709-6
E	01	"O" Ring/"O" Ring	1901-0015

Fábrica: **Parker Hannifin Ind. Com. Ltda.** - Av. Lucas Nogueira Garcez 2181 - Esperança - Caixa Postal 148 - Tel.: 12 354-5100 - Fax.: 12 354-5262
Filiais:

Belo Horizonte - MG - Tel.: 31 3261-2566 / Fax.: 31 3261-4230
Campinas - SP - Tel.: 19 3235-3400 / Fax.: 19 3235-2969
Curitiba - PR - Tel.: 41 333-1836 / Fax.: 41 334-3027
Porto Alegre - RS - Tel.: 51 470-9144 / Fax.: 51 470-6090
Recife - PE - Tel.: 81 3227-3376 / Fax.: 81 3227-6064
Rio de Janeiro - RJ - Tel.: 21 509-4008 / Fax.: 21 507-0221
São Paulo - SP - Tel.: 11 3673-2766 / Fax.: 11 3865-7090
Vale do Paraíba - SP - Tel.: 12 354-5100 / Fax.: 12 354-5262

www.parker.com.br





Rod. SC 438 - Km 184
Caixa Postal 65 - CEP 88750-000
Braço do Norte - SC - Brasil
<http://www.inmes.com.br>
e-mail: vendas@inmes.com.br
SAC 0800 702 1515