

**ORDER REPAIR PARTS  
BY:**

**MACHINE MODEL NUMBER**

**MACHINE SERIAL NUMBER**

**PART NUMBER**

**PART NAME**

**QUANTITY**

# PISTORIUS

## MACHINE CO., INC.

PHONE: 631-582-6000

FAX: 631-582-6078

E-Mail: info@pistorius.com

Web Site: <http://www.pistorius.com>

1785 EXPRESS DRIVE NORTH • HAUPPAUGE, NEW YORK, U.S.A. 11788

### PARTS LIST MODEL VNJ HAND OPERATED JOINER

REF No.	PART No.	DESCRIPTION	# ON MACHINE
1	CI-6703-2-VNJ	CLAMP VISE CASTING ASSEMBLY	1
2	S-6492-2-VN	CLAMP POST ASSEMBLY - WELDMENT (3 PCS.)	1
3	30095T32	HEAD STOP (SECOND NAIL)	1
4	S 4313-4-VNJ	THUMB SCREW HEAD STOP	1
5	S-6493-1-VNJ	DRIVER ASSEMBLY MOUNTING BLOCK	1
6	S-6532-1-VNJ	CLAMP BASE	1
7	S-6532-2-VNJ	STOP BAR (FLIP STOP TYPE)	1
8	S-6493-4-VNJ	CLAMP BASE SPACER (NOT SHOWN)	1
9	S-6494-1-VNJ	NAIL POST	1
10	SP-8301	NAIL MAGNETS	4
11	S-6494-3-VNJ	NAIL DRIVER SLEEVE	1
12	LC-60K-MOD	TOP CLAMP RETURN SPRING	1
13	E - .13	DRIVER RETURN SPRING	1
14	<del>8314N</del> 1" H BLACK	TOP CLAMP PAD (BLACK)	1
15	S-6875-2-VNJ	NAIL DRIVE HANDLE	1
16	S 6871-1-VNJ	DRIVER CAM	1
17	S-6495-3-VNJ	WORK SUPPORT	1

# PISTORIUS

MACHINE CO., INC.

PHONE: 631-582-6000

FAX: 631-582-6270

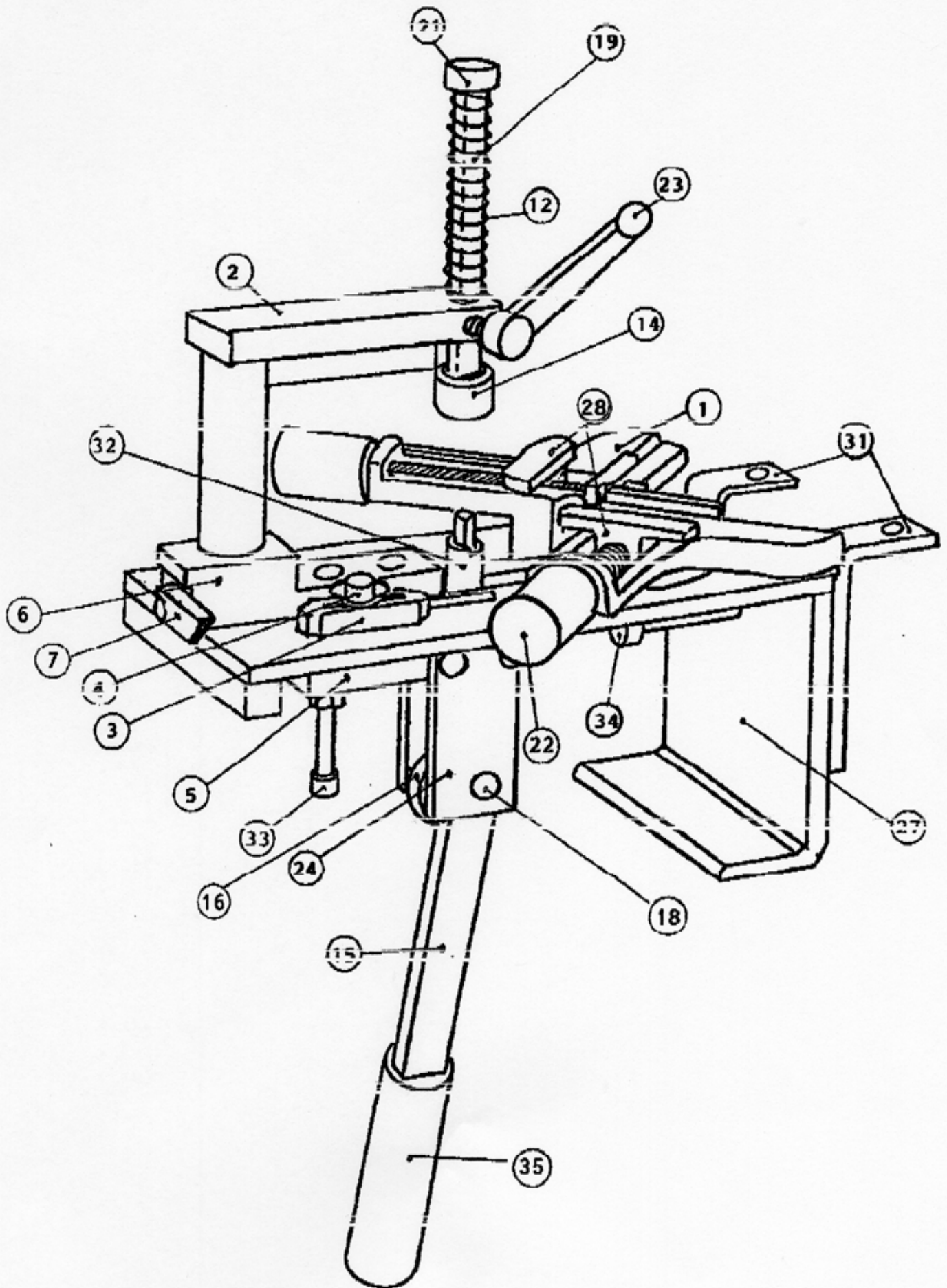
E-Mail: info@pistorius.com

Web Site: http://www.pistorius.com

1785 EXPRESS DRIVE NORTH • HAUPPAUGE, NEW YORK, U.S.A. 11788

18	S-6495-4-VNJ	DRIVE HANDLE PIVOT PIN	1
19	S-6495-5-VNJ	TOP CLAMP POST (ROD)	1
20	LC-050K07	OUTSIDE DRIVER SLEEVE SPRING	1
21	SC-10-A	TOP CLAMP ROD COLLAR	1
22	S-7151-A-VNJ	SPEED HANDLE ASSEMBLY	2
23	6T32A04K-SHORT	TOP CLAMP ROD LOCKING HANDLE	1
24	S-6495-6-VNJ	DRIVE HANDLE MOUNT PLATE	2
25	S-6496-1-VNJ	RIGHT HAND TABLE PLATE	1
26	S-6496-2-VNJ	LEFT HAND TABLE PLATE	1
27	S-6496-3-VNJ	MACHINE MOUNT RISER CHANNEL	1
28	CI-6703-3-VNJ	LEFT AND RIGHT HAND JAW CASTING	2
29	TAPE/RULER	LOCATION MEASUREMENT TAPE	1
30	P-5	NAIL SETTING GUIDE PIN (1/16")	1
31	VNJ00025	TABLE SUPPORT MOUNTING BRACKET	2
32	S-6887-VNJ	COMPLETE DRIVER ASSEMBLY	1
33	3/8-16 AC	HANDLE STOP SCREW	1
34	3/8-16 BH	INSIDE HEAD STOP SCREW	1
35	9282K25	FOAM HANDLE GRIP	1

# PISTORIUS MODEL VN-J "V"-NAILER





TOP VIEW

