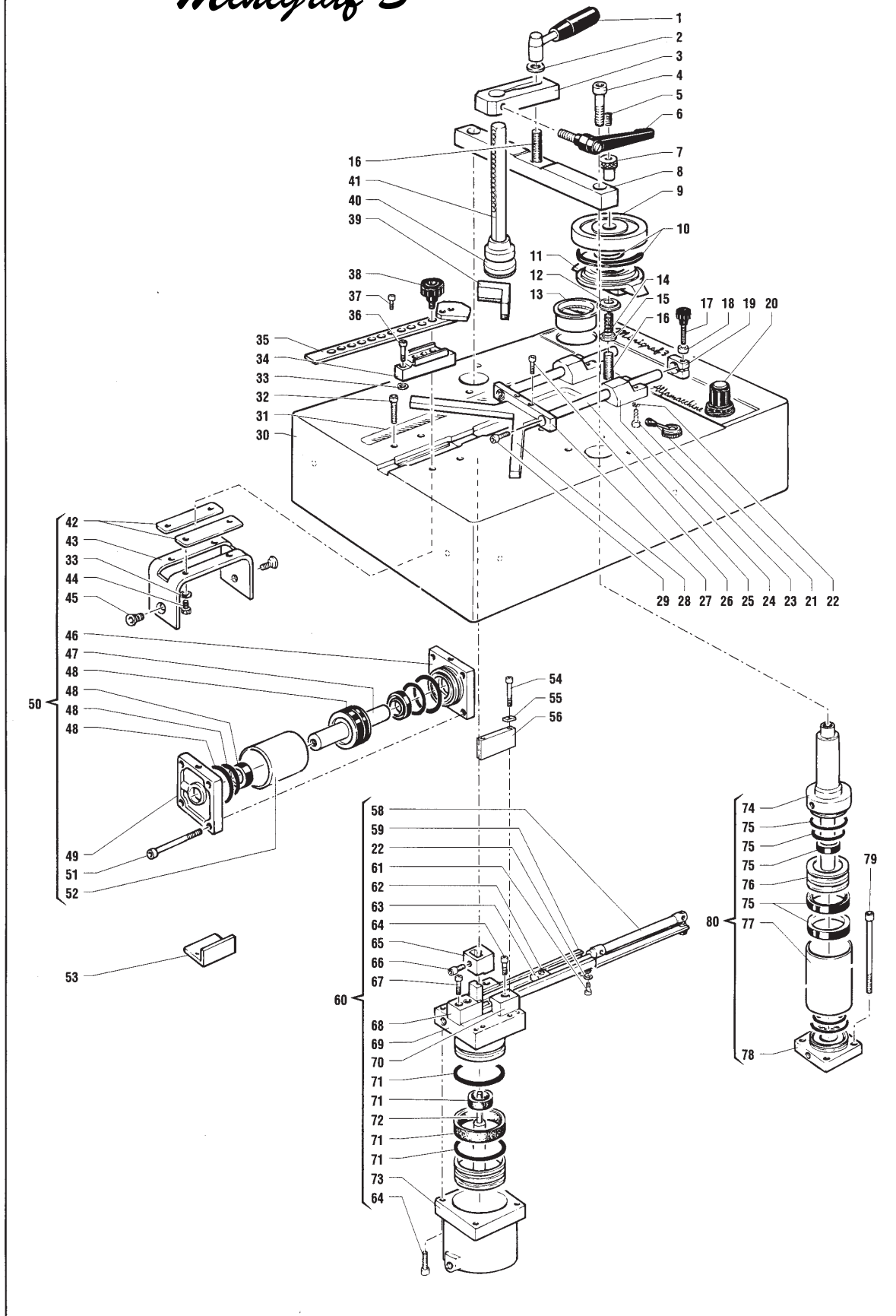


MITRE-MITE VN2+1

Disegno DWG Nr. 021.0.100

and *Minigraf 3*

Rev.1 / 01 - 1997



MITRE-MITE VN2+1

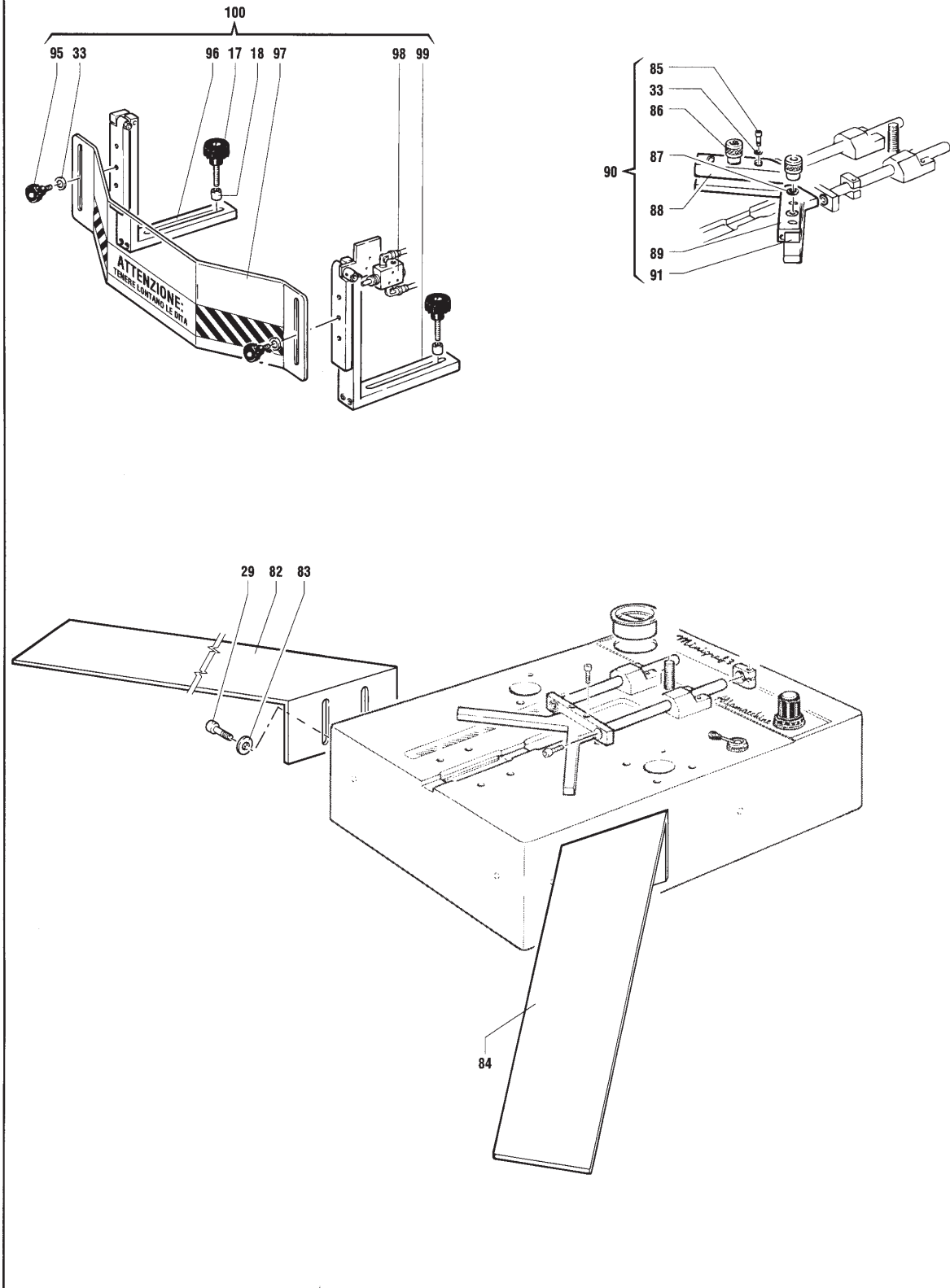
Optional

and

Minigraf 3

DWG Nr. 021.0.100

Rev.1 / 01 - 1997

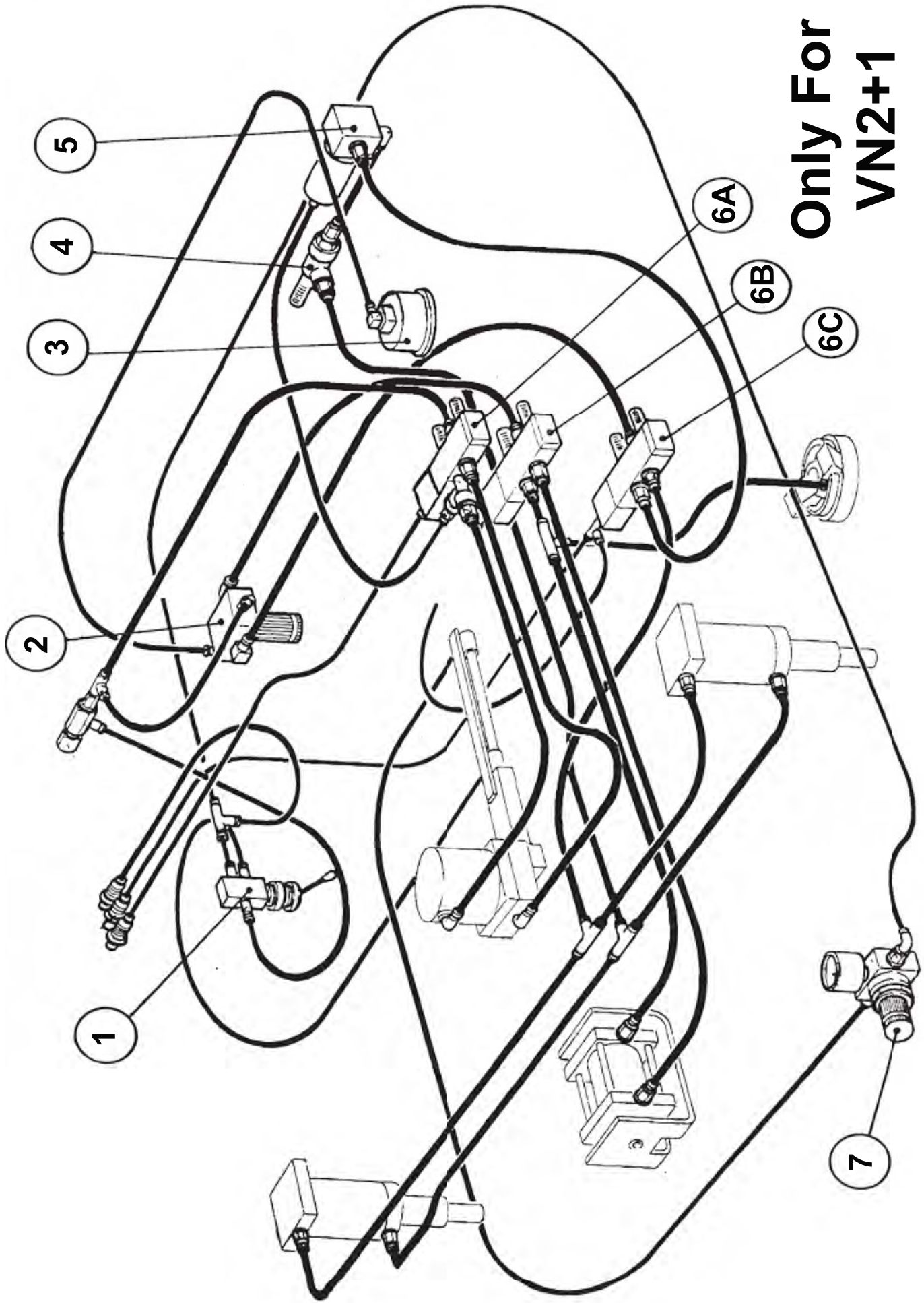


Ref.	Code Number	Qty	Description
1	244660010	1	Ratchet Handle For Top Slide 12mm x 1.25
2	336100030	1	WasherOD=30 ID=12
3	383600061	1	5" Hold Down Rod Clamp 14mm
4	710100151	2	Screw
5	714300042	1	Screw
6	243170010	1	Ratchet Handle For Hold Down
7	336300010	1	Knob
8	376400010	1	Support
9	225170010	1	Complete brake
10	298390060	1	Gasket
12	336100040	1	Washer
13	734230008	1	Pressure Gauge Main
14	765000004	1	Spring
15	336100050	1	Washer
16	714300041	2	Set Screw 12 x 60 1.25 Pitch
17	753320002	2	Fence Stop Clamp Knob
18	336100020	2	Washer For Fence Stop Clamp
19	393150010	2	Fence Stop Clamp
20	735630002	1	Pressure Regulator 1/8" 0-8 Bar
21	732140001	1	Pneumatic Loading Valve (PLV)
22	718100002	6	Washer
23	710100045	4	Screw
24	383900010	2	Support
25	334000020	2	Slide
26	710100072	4	Screw
27	383900020	1	Support
28	375200010	1	Fence 90 Degree
29	710100112	2	Screw
30	211250040	1	Main frame
31	366710080	1	Inch rule
32	710100076	4	Screw
33	718100003	10	Washer
34	392750011	1	Support
35	242170010	1	Front Clamp
36	710100074	2	Screw
37	366210030	1	Screw
38	753320001	1	Front Clamp Knob
39	242230020	1	Square pressure plate with felt for magnetic base
39	242230140	1	Square pressure plate with rubber for magnetic base
40	242230010	1	Round pressure plate with felt for magnetic base
40	242230040	1	Round pressure plate with rubber for magnetic base
40	242230060	1	Square Pressure Plate with Rubber bolt on part
41	244120120	1	Magnetic Rod Complete
41	244120130	1	Base For Magnetic Hold Down Rod
41	334000181	1	Hold Down Rod D=20 L=160
42	371200010	2	Slide
43	384400010	1	Support
44	710600002	4	Screw
45	710200081	2	Screw
46	352200030	1	Head
47	331000030	1	Piston
48	298390050	1	Gasket Kit Front Clamp Cylinder OD=45 ID=22
49	352200020	1	Head
50	225120010	1	Complete Front Clamp Cylinder
51	710100087	4	Screw
52	333500020	1	Cylinder Sleeve
53	384200020	2	Bracket
54	710100086	4	Screw

Mitre Mite VN 2+1 / Minigraf 3

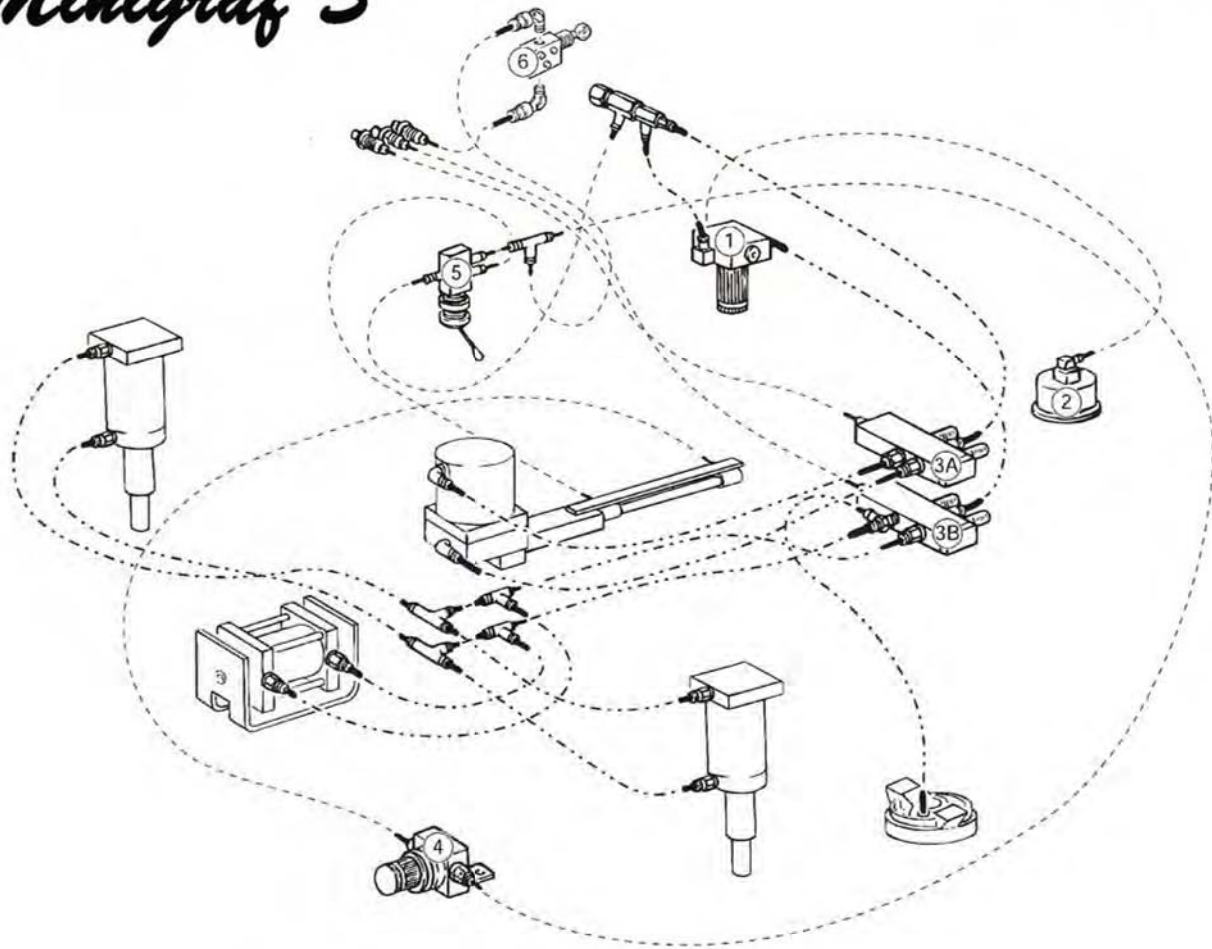
Dwg nr. 021.0.100

Ref.	Code Number	Qty	Description
55	381600100	4	Leveller Spacer
56	381300080	2	Spacer
58	221330010	1	Nail Feed Cylinder Complete
59	398350031	1	Steel Nail magazine 2000+
60	224240010	1	Complete Driver Cylinder
61	710100042	2	Screw
62	244500010	1	Set Screw + Pin (Clawpusher)
63	395450021	1	Clawpusher Post 2000
64	710100093	6	Screw
65	394950060	1	Nail Head H5
65	394950020	1	Nail Head H7
65	394950030	1	Nail Head H10
65	394950040	1	Nail Head H12
65	394950050	1	Nail Head H15
66	710100070	5	Screw scs 6 X 8
67	710100079	2	Screw
68	384200050	1	L-Support Block
69	352200060	1	Head
70	383600020	2	Block For Magazine
71	298390040	1	Gasket Kit Driver Cylinder VN
72	298420040	1	Piston & Driver Blade VN2+1
73	352200050	1	Cylinder
74	352400020	2	Head For Vertical Cylinder
75	298390070	2	Gasket Kit Vertical Cylinder
76	331000020	2	Piston
77	333500030	2	Cylinder Sleeve
78	352200040	2	Bottom
79	710100088	8	Screw
80	225220010	2	Complete vertical Cylinder
82	391650511	1	Left Extension Arm
83	718100004	4	Special Washer
84	391650501	1	Right Extension Arm
84	291650010	1	Extension Arm Set
85	710100073	4	Screw
86	336300040	2	Knob
87	337500040	2	Special Washer
88	386200040	1	Left Fence Piece
89	386200030	1	Right Fence Piece
90	243160020	1	Tilt Fence Assembly Complete
91	381300140	2	Support
95	753320005	2	Knob D=20 M6x25
96	241300010	1	Support
97	398950020	1	Protective Shield
98	732540003	1	Valve For Safety Guard
99	241300020	1	Support
100	248950020	1	Safety Guard Complete



**Only For
VN2+1**

Only for
Minigraf 3



- DWG 003.0.100P - CE Version

Pos.	Code	Description
1	735630002	Pressure Regulator
2	258310010	Manometer
3A	732440001	Valve 228.52.11.1
3B	732440001	Valve 228.52.11.1
4	735630007	Pressure Regulator 1/8 08
5	258210010	Lever-Valve
6	258210350	Valve 0ALF 106.A

Only for
Mitre Mite VN 2+1

Pneumatic Parts List

<i>Ref.</i>	<i>Code Number</i>	<i>Qty</i>	<i>Description</i>
1	732140001	1	Pneumatic Loading Valve (PLV)
2	735630002	1	Pressure Regulator 1/8" 0-8 Bar
3	734230008	1	Pressure Gauge Main
4	732390001	1	Exhaust Valve 1/8"
5	735130006	1	Soft Clamp Regulator
6A	732440001	1	Control Valve
6B	732440001	1	Control Valve
6C	732440001	1	Control Valve
7	735630002	1	Pressure Regulator 1/8" 0-8 Bar